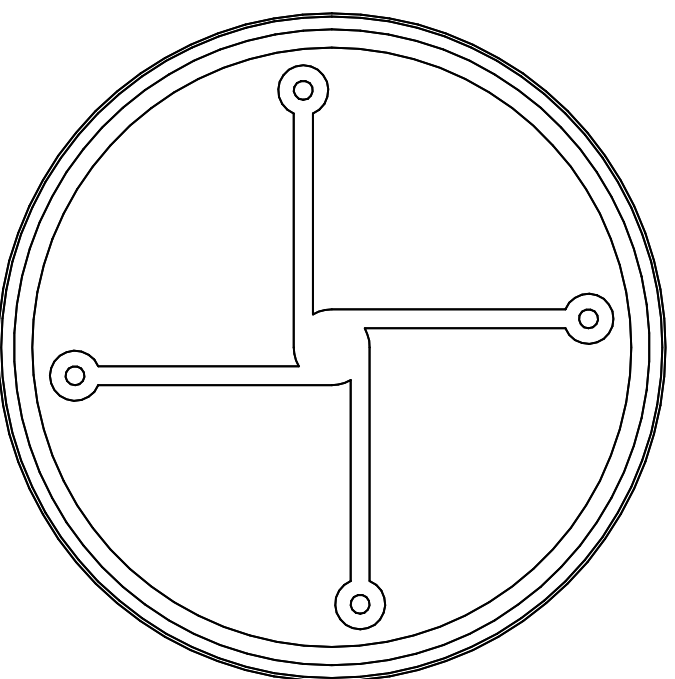
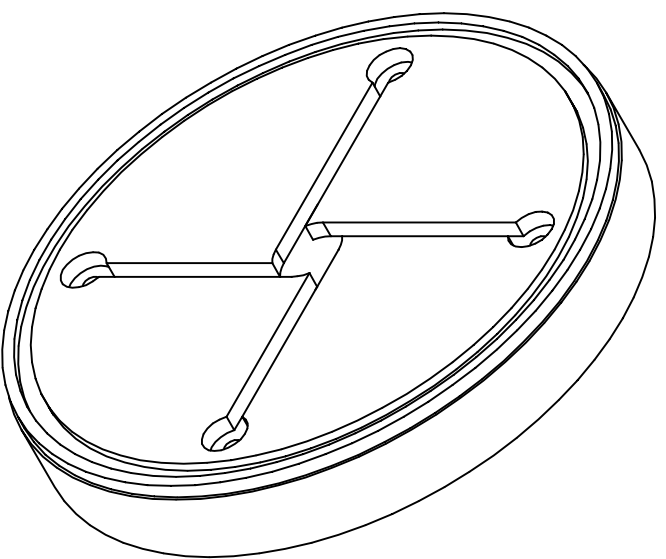
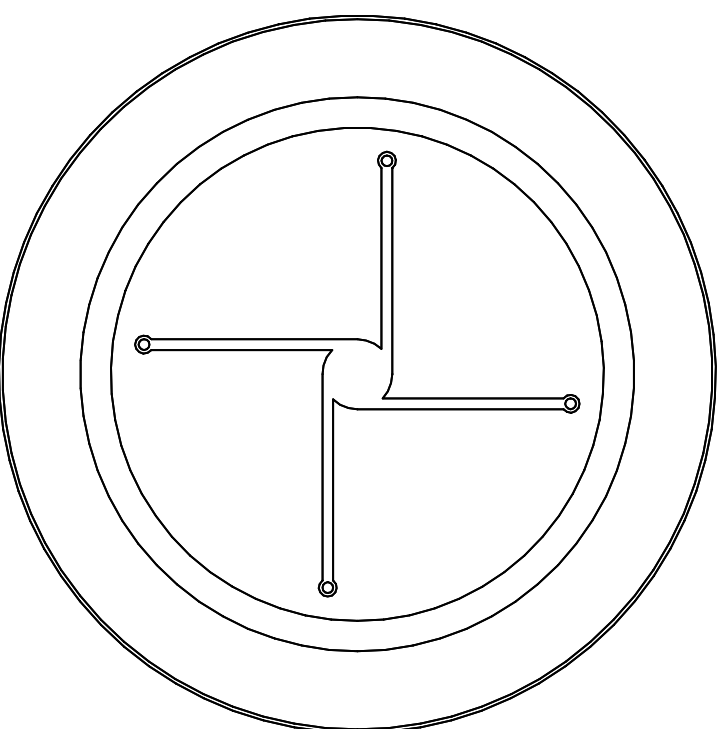
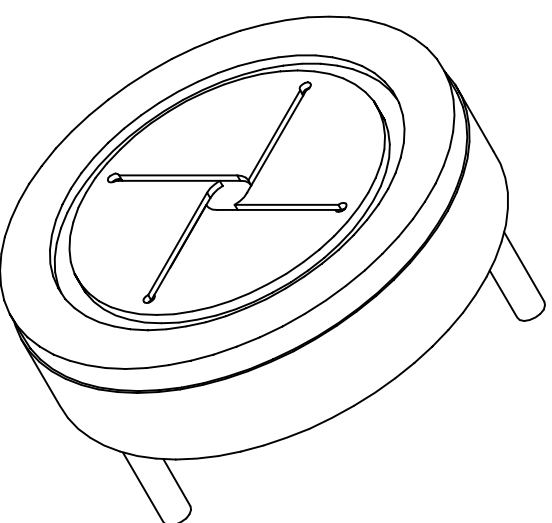


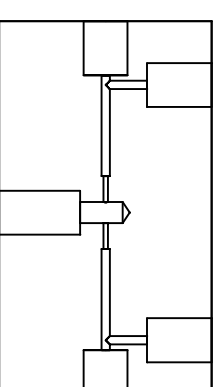
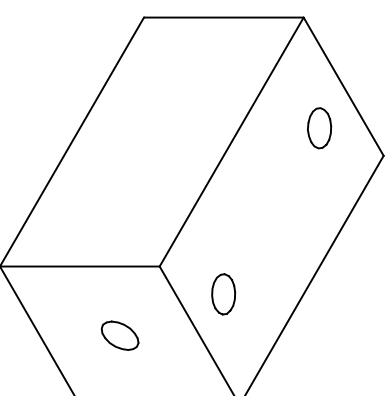
MIVM-5L
HAT DRAWING #:
13674-001



MIVM-1L
HAT DRAWING #:
13678-001



CJI MIXER
HAT DRAWING #:
14921-001



A.1	REFERENCE	10/25/19	MF
REV	DESCRIPTION	DATE	BY
<p>THIS DRAWING IS LOANED WITHOUT OTHER CONSIDERATION THAN THE AGREEMENT AND CONDITION THAT IT IS NOT TO BE REPRODUCED, COPIED, OR TRANSMITTED IN ANY FORM OR BY ANY MEANS, ELECTRONIC OR MECHANICAL, INCLUDING PHOTOCOPYING, RECORDING, OR BY ANY INFORMATION STORAGE AND RETRIEVAL SYSTEM, WITHOUT THE WRITTEN PERMISSION OF HOLLAND APPLIED TECHNOLOGIES. THE ACCEPTANCE OF THIS DRAWING WILL BE CONSIDERED AS AN ACCEPTANCE OF THE FOREGOING CONDITIONS AND AS AN ADMISION OF THE EXCLUSIVE OWNERSHIP OF HOLLAND APPLIED TECHNOLOGIES. BARRINGTON, ILLINOIS.</p>			
<p>CUSTOMER: HOLLAND APPLIED TECHNOLOGIES</p>			
P.O. NO.	PROJECT	LOCATION	DOCUMENT CODE
<p>DRAWING TITLE: MIXERS</p>			
W.O. NUMBER:	DUE DATE:	QUANTITY:	MATERIAL:
INTERIOR FINISH:		EXTERIOR FINISH:	316L
<p>ALL DIMENSIONS IN INCHES UNLESS OTHERWISE SPECIFIED</p>		DRAWING NUMBER:	REVISION:
<p> <input checked="" type="checkbox"/> ±.005 <input type="checkbox"/> ±.005 <input type="checkbox"/> ±.005 <input type="checkbox"/> ±.125 </p>	<p>15208 - 001</p>	A.1	
DRAWN BY: MFrondziel	SCALE: NTS	TITLE: -	PAGE: (1) OF (1)
DATE DRAWN: 10/24/2019			

Holland
APPLIED TECHNOLOGIES

7050 HIGH GROVE BLVD.
BURR RIDGE, ILLINOIS 60527
(630) 325-5130 PH.
(630) 654-2518 FAX
www.hollandapl.com