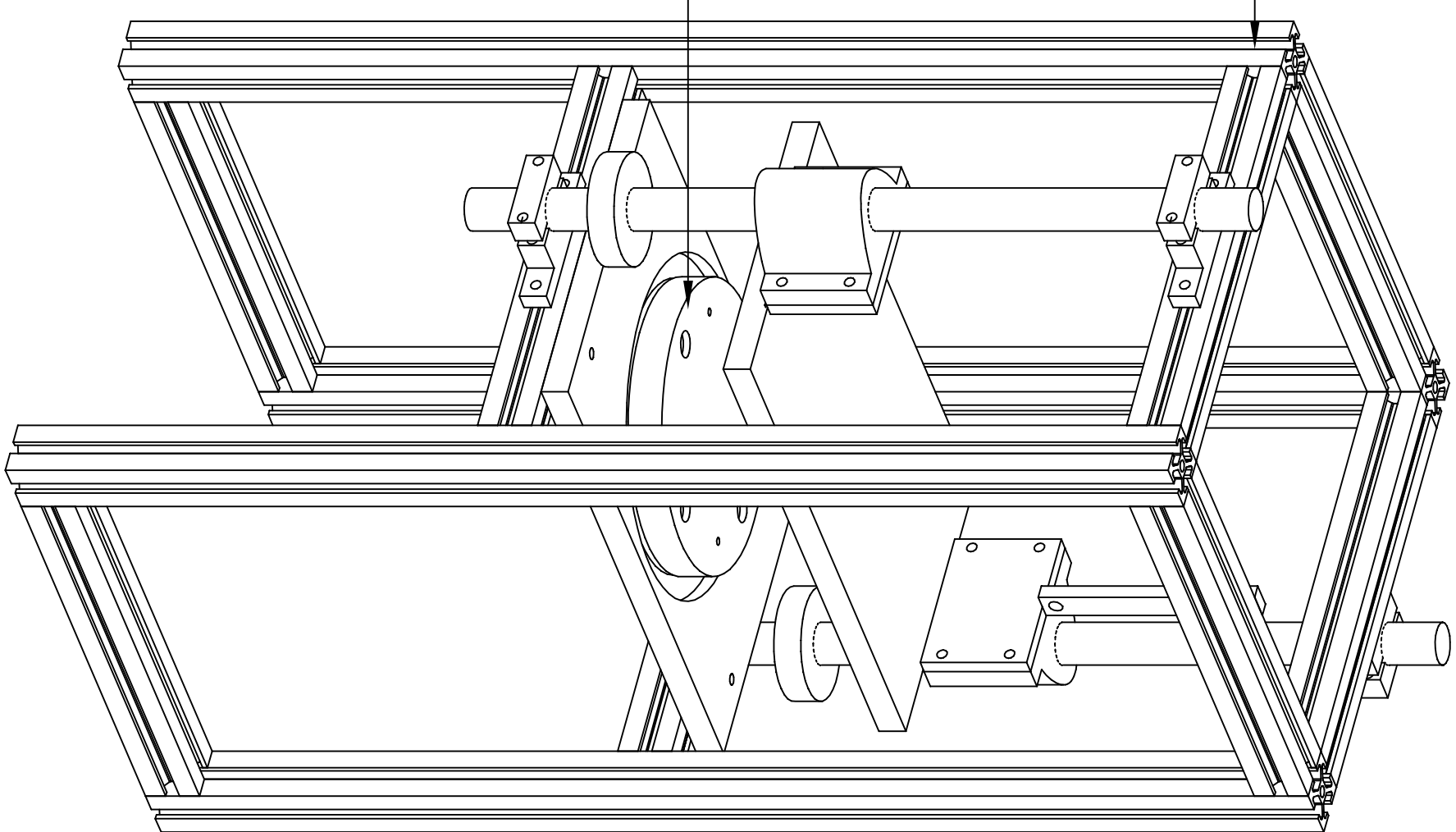
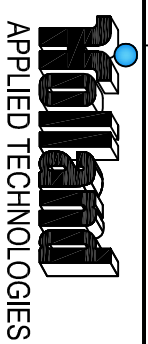
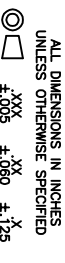


MIXER STAND
 HAT DRAWING #:
 13882-001

MVM-5L
 HAT DRAWING #:
 13674-001



A.1	REFERENCE	10/25/19	MF
REV	DESCRIPTION	DATE	BY
 <p>7050 HIGH GROVE BLVD. BURR RIDGE, ILLINOIS 60527 (630) 325-5130 PH. (630) 654-2518 FAX www.hollandapl.com</p>			
<small>THIS DRAWING IS LOANED WITHOUT OTHER CONSIDERATION THAN THE AGREEMENT AND CONDITION THAT IT IS NOT TO BE REPRODUCED, COPIED, OR TRANSMITTED IN ANY FORM OR BY ANY MEANS, ELECTRONIC OR MECHANICAL, INCLUDING PHOTOCOPYING, RECORDING, OR BY ANY INFORMATION STORAGE AND RETRIEVAL SYSTEM, WITHOUT THE WRITTEN PERMISSION OF HOLLAND APPLIED TECHNOLOGIES. THE ACCEPTANCE OF THIS DRAWING WILL BE CONSIDERED AS AN ACCEPTANCE OF THE FOREGOING CONDITIONS AND AN ADMISION OF THE EXCLUSIVE OWNERSHIP OF HOLLAND APPLIED TECHNOLOGIES. SERVICE: ILLINOIS.</small>			
CUSTOMER: HOLLAND APPLIED TECHNOLOGIES			
P.O. NO.	PROJECT	LOCATION	DOCUMENT CODE
DRAWING TITLE: Mixer Stand			
W.O. NUMBER:	DUE DATE:	QUANTITY:	MATERIAL:
INTERIOR FINISH:		EXTERIOR FINISH:	
<small>ALL DIMENSIONS IN INCHES UNLESS OTHERWISE SPECIFIED</small> 		DRAWING NUMBER: 15210 - 001	REVISION: A.1
<small>SCALE:</small> NTS	<small>DATE DRAWN:</small> 10/25/2019	<small>TITLE:</small> -	<small>PAGE:</small> (1) OF (1)
<small>DRAWN BY:</small> Mfrondiel			