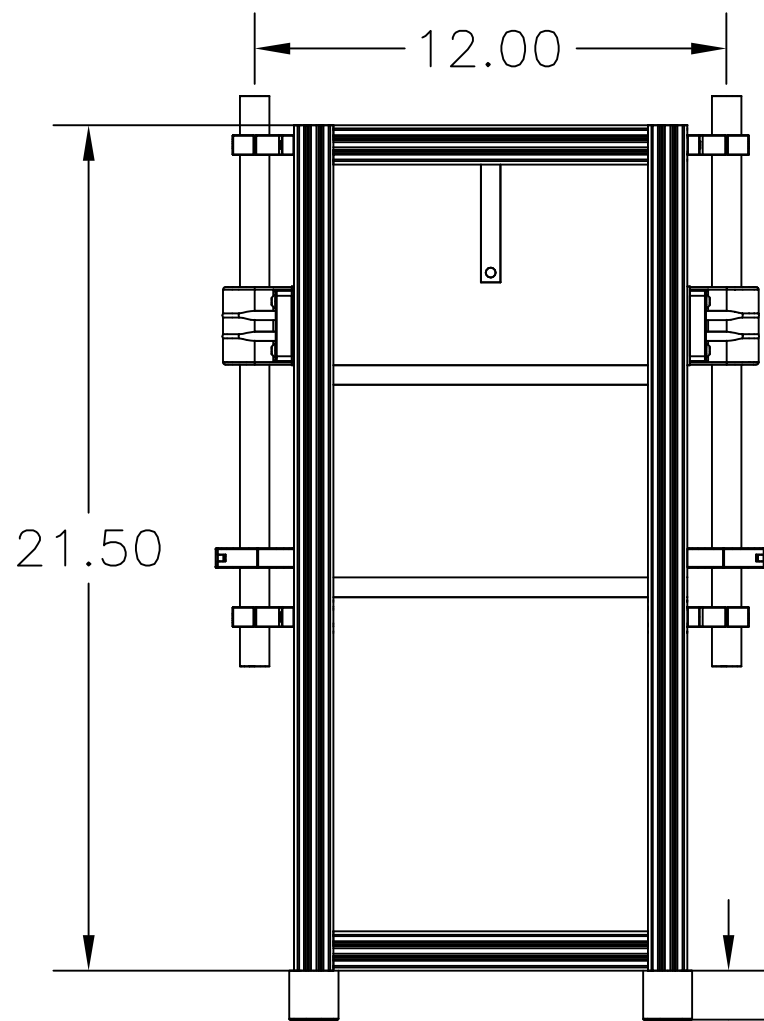


TOP VIEW

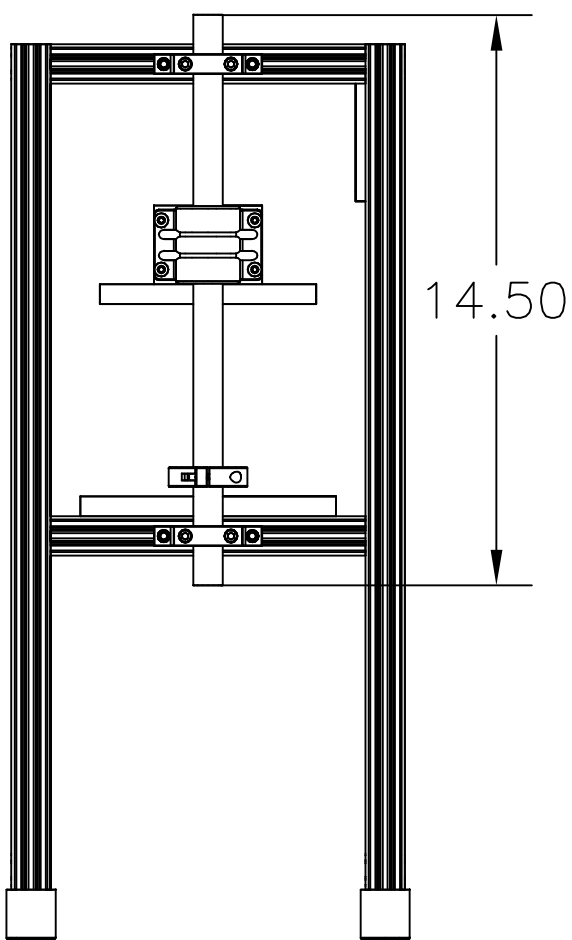


FRONT VIEW

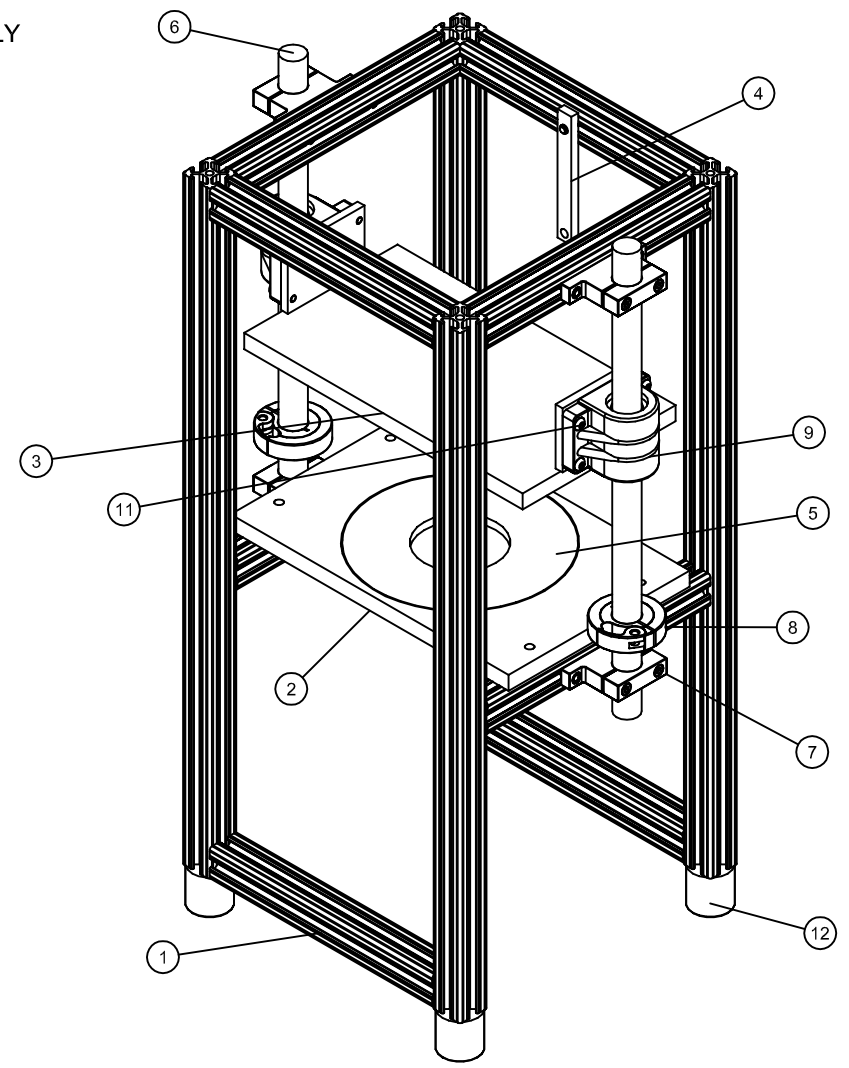
1.25
REF.

BILL OF MATERIAL			
MARK	QUANTITY	DESCRIPTION	PART NUMBER
1	1	FRAME	13882-010
2	1	BASE PLATE	13882-030
3	1	TOP PLATE ASSEMBLY	13882-020
4	1	PLATE SUPPORT BRACKET	13882-050
5	1	ADAPTER PLATE* (SEE NOTES)	13882-040
6	2	LINEAR MOTION SHAFT	6253K64
7	4	SHAFT MOUNTS	1865K5
8	2	QUICK-RELEASE SHAFT COLLAR	1511K21
9	2	LINEAR BALL BEARING	1052K13
10	17	CONCEALED FASTENER (NOT PICTURED)	47065T155
11	8	BUTTON HEAD HEX DRIVE SCREW	92949A247
12	4	FEET	9540K808

NOTES:
1.) ADAPTER PLATE IS ONLY REQUIRED FOR MIVM-1L



RIGHT VIEW



C	GENERAL DRAWING UPDATES	06/05/2020	MF
REV	DESCRIPTION	DATE	BY
		7050 HIGH GROVE BLVD. BURR RIDGE, ILLINOIS 60527 (630) 325-5130 PH. (630) 654-2518 FAX www.hollandapt.com	
<small>THIS DRAWING IS LOANED WITHOUT OTHER CONSIDERATION THAN THE AGREEMENT AND CONDITION THAT IT IS NOT TO BE REPRODUCED, COPIED OR OTHERWISE DISPOSED OF, DIRECTLY OR INDIRECTLY, AND IS NOT TO BE USED IN WHOLE OR IN PART TO ASSIST IN MAKING OR TO FURNISH ANY INFORMATION FOR THE MAKING OF DRAWINGS, PRINTS, APPARATUS OR PART THEREOF. THE ACCEPTANCE OF THIS DRAWING WILL BE CONSTRUED AS AN ACCEPTANCE OF THE FORE-GOING CONDITIONS AND AS AN ADMISSION OF THE EXCLUSIVE OWNERSHIP OF HOLLAND APPLIED TECHNOLOGIES, BURR RIDGE, ILLINOIS.</small>			
CUSTOMER: HOLLAND APPLIED TECHNOLOGIES			
P.O. NO.	PROJECT	LOCATION	DOCUMENT CODE
-	-	-	-
DRAWING TITLE: MIXER STAND GENERAL ARRANGEMENT			
W.O. NUMBER:	DUE DATE:	QUANTITY:	MATERIAL:
-	-	-	316L/304
INTERIOR FINISH:		EXTERIOR FINISH:	
N/A		MILL	
ALL DIMENSIONS IN INCHES UNLESS OTHERWISE SPECIFIED ☉ $\begin{matrix} \text{XXX} & \text{XX} & \text{X} \\ \pm .005 & \pm .060 & \pm .125 \end{matrix}$		DRAWING NUMBER:	REVISION:
		13882 - 001	C
DRAWN BY:	SCALE:	TITLE:	
MFronckiel	1:5	-	
DATE DRAWN:	DWG SIZE:	PAGE:	
11/15/2018	B (17"x11")	(1) OF (1)	