

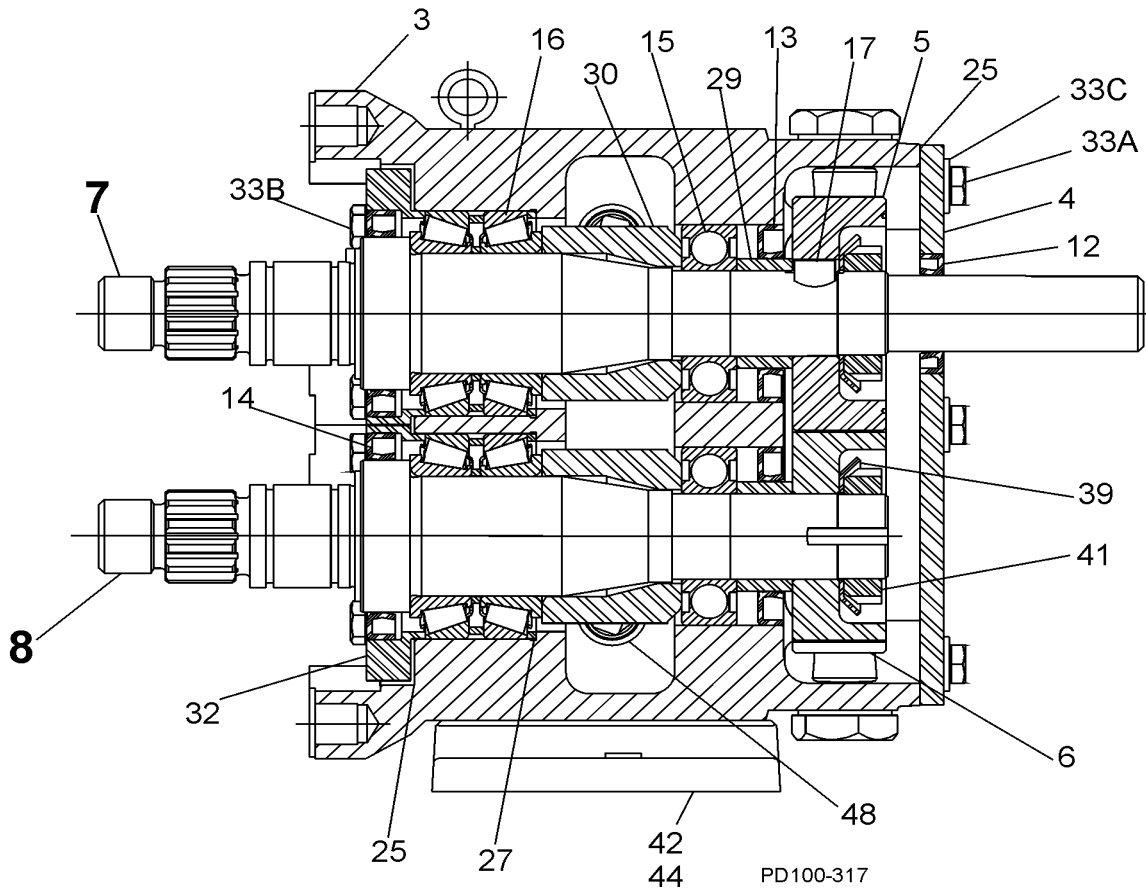
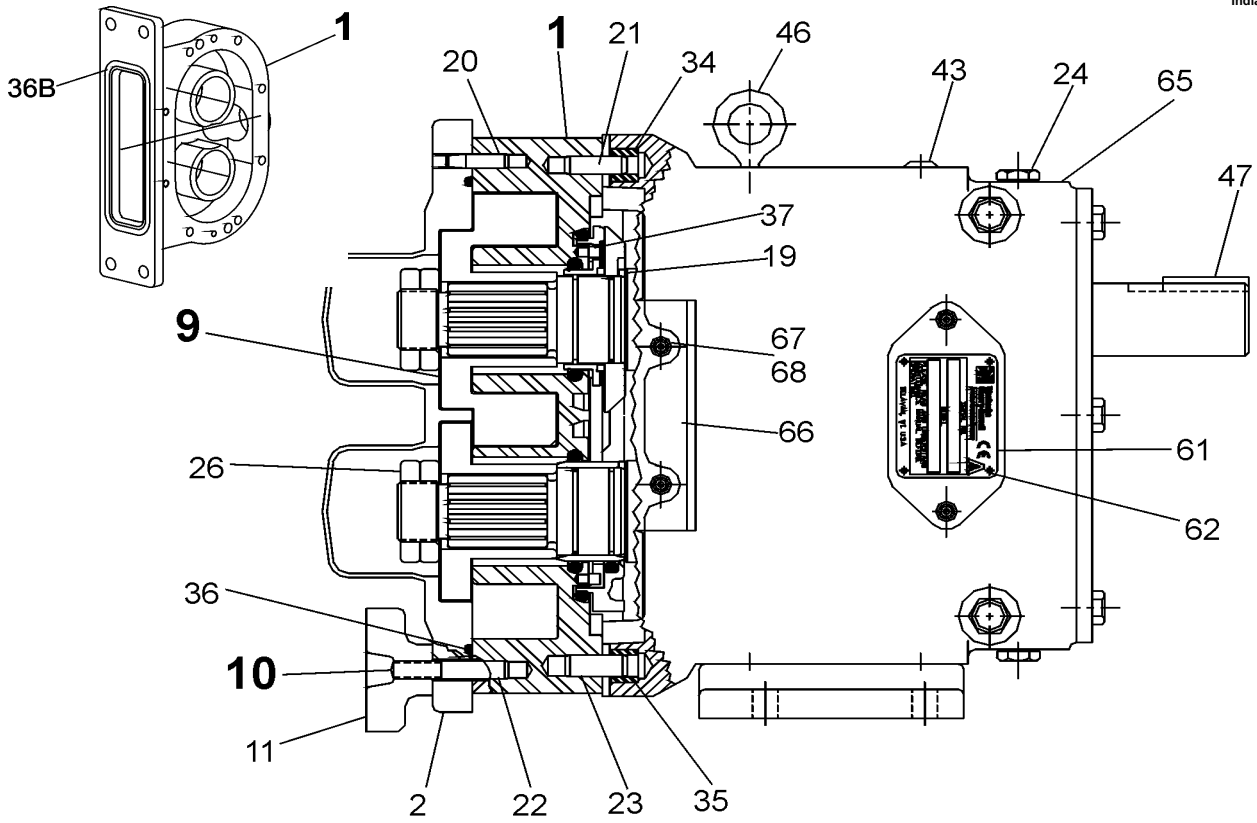
060 - 064 - 130 - 134 - 133-U1 PUMP PARTS PRICE LIST

ITEM NO.	DESCRIPTION	QTY. PER PUMP	PART NO.	NOTES
1	060-U1 Pump Body	1	See Note 1	1
	060-U1 Pump Body with Flush	1	See Note 1	1
	064-U1 Rectangular Flange Inlet Body	1	See Note 1	1
	064-U1 Rect. Flange Inlet Body with Flush	1	See Note 1	1
	130-U1 Pump Body	1	See Note 1	1
	130-U1 Pump Body with Flush	1	See Note 1	1
	134-U1 Rectangular Flange Inlet Body	1	See Note 1	1
	134-U1 Rect. Flange Inlet Body with Flush	1	See Note 1	1
	133-U1 Pump Body with Flush	1	133 001 020	
7	060-064-U1 Drive Shaft	1	060 008 001	
	060-064-U1 Drive Shaft, Optional 17-4PH	1	35145	
	130-134-U1 Drive Shaft	1	130 008 001	
	130-134-U1 Drive Shaft, Optional 17-4PH	1	35394	
	133-U1 Drive Shaft	1	133 008 001	
	133-U1 Drive Shaft, Optional 17-4PH	1	34470	
8	060-064-U1 Short Shaft	1	060 009 001	
	060-064-U1 Short Shaft, Optional 17-4PH	1	35146	
	130-134-U1 Short Shaft	1	130 009 001	
	130-134-U1 Short Shaft, Optional 17-4PH	1	35392	
	133-U1 Short Shaft	1	133 009 001	
	133-U1 Short Shaft, Optional 17-4PH	1	34471	
9	060-064-U1 Rotor, Twin Wing, Alloy 88	2	060 010 000	2
	060-064-U1 Rotor, Twin Wing, 316SS	2	060 010 200	2
	060-U1 Rotor, Single Wing, Alloy 88	2	117343	2, 12, 13
	130-134-U1 Rotor, Twin Wing, Alloy 88	2	130 010 000	2
	130-134-U1 Rotor, Twin Wing, 316SS	2	130 010 200	2
	130-U1 Rotor, Single Wing, Alloy 88	2	117360	2, 12A, 13
	133-U1 Rotor, Twin Wing, Alloy 88	2	133 010 020	2
	133-U1 Rotor, Single Wing, Alloy 88	2	117377	2, 12B
10A	060-U1 Stud	8	108843	
10B	060-U1 Stud, Jacketed Cover	8	108846	
10C	060-U1 Stud Retainer Assembly	1	070 064 000	5
10D	064-U1 Stud	6	108843	
	064-U1 Stud	2	0C1 050 000	
10E	064-U1 Stud, Jacketed Cover	6	108846	
	064-U1 Stud, Jacketed Cover	2	35556	
10F	130-133-U1 Stud	8	130 011 000	
10G	130-U1 Stud, Jacketed Cover	8	130 011 001	
10H	130-133-U1 Stud Retainer Assembly	1	140 064 000	5
10I	134-U1 Stud	6	130 011 000	
	134-U1 Stud	2	0C1 050 000	
10J	134-U1 Stud, Jacketed Cover	6	130 011 001	
	134-U1 Stud, Jacketed Cover	2	35556	

NOTES:

1. Contact Factory with Serial Number of pump for Part Number.
2. Standard clearances and finishes for Rotor Part Numbers shown. Contact Factory for optional clearances and finishes.
5. No longer manufactured, consult factory for upgrade of gear case subassembly.
12. Replaces 060 010 010 straight and 060 010 090 90° (degree) rotors.
- 12A. Replaces 130 010 010 straight and 130 010 090 90° (degree) rotors.
- 12B. Replaces 133 010 010 straight and 133 010 090 90° (degree) rotors.
13. Single wing rotors can not be used in Rectangular Flange Inlet pumps.

060 - 064 - 130 - 134 - 133-U1 Common Parts Diagram



PD100-317

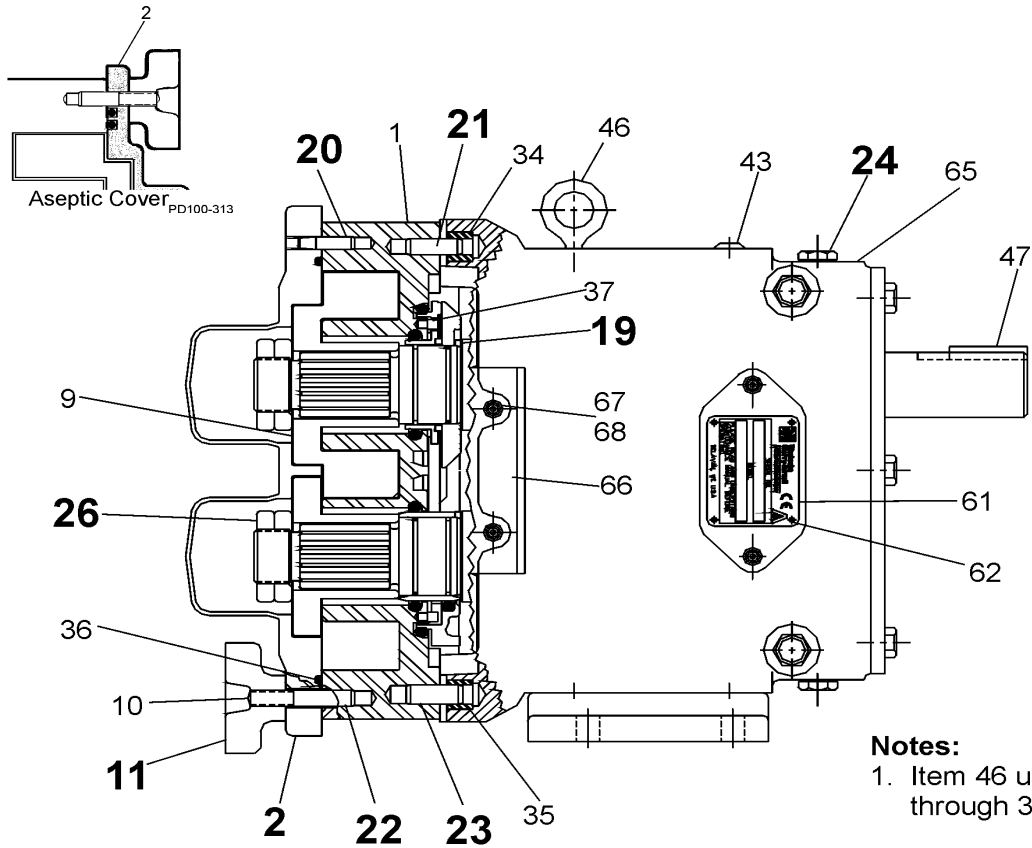
060 - 064 -130 - 134 - 133-U1 COMMON PARTS PRICE LIST

ITEM NO.	DESCRIPTION	QTY. PER PUMP	PART NO.	NOTES
2	060-064-130-134-U1 Pump Cover	1	CD0 002 S00	
	060-064-130-134-U1 Jacketed Cover	1	CD0 002 J10	
	133-U1 Pump Cover	1	133 002 020	
	Pump Cover Vented - Complete Assembly			
	060-064-130-134-U1 Manual (over 150 PSI)	1	CVR00036	
	060-064-130-134-U1 Manual (under 150 PSI)	1	CVR00024	
	060-064-130-134-U1 Pneumatic	1	CVR00053	
3	060-064-130-134-U1 Piston	1	CVR00054	
	Gear Case, CI	1	070 005 000	
4	Gear Case, SS; Optional	1	101834	
	Gear Case Cover, Steel	1	070 106 000	
5	Gear Case Cover, SS; Optional	1	102282	
	Gear, Drive Shaft, Spur	1	107404	
6	Gear, Short Shaft, Spur	1	107404	
11	Wing Nut	8	105852	
	Hex Nut, Optional	8	108371	
12	Oil Seal, Gear Case Cover	1	000 030 012	
13	Oil Seal, Gear Case Rear	2	000 030 011	
14	Grease Seal, Bearing Retainer	2	000 030 009	
	Bearing Isolator Kit, Incl. STD Bearing Retainer	2	X06614-1	
	Bearing Isolator Kit, Incl. SS Bearing Retainer	2	X06614-2	
15	Bearing, Rear	2	107186	
16	Bearing, Front	2	060 036 000	
17	Key, Gear	2	060 037 000	
19	Drive Pin, Seal Seat and Sleeve	2	CD0 126 000	
20	Dowel Pin, Upper Cover Side	1	CD0 040 000	
21	Dowel Pin, Upper Gear Case Side	1	CD0 040 R00	
22	Dowel Pin, Lower Cover Side	1	CD0 040 100	
23	Dowel Pin, Lower Gear Case Side	1	CD0 040 R10	
24	Plug w/ washer, 3/4-16	6	000 046 004	40
	Oil Plug, M20 x 1.5"	5	115798	41
	Oil Level Indicator, M20 x 1.5	1	115799	41
25	Silicone Sealant	1	000 142 301	
26	Jam Nut, Rotor	4	060 052 001	
27	Shim Kit	2	117891	
29	Spacer, Gear to Rear Bearing	2	107187	
30	Bearing Spacer	2	060 055 003	
31	Grease Retainer, Rear Bearing	2	STD 091 002	
32	Bearing Retainer, Front	2	060 080 000	
	Bearing Retainer, SS	2	101812	
33A	3/8-16 x .75" HHCS, STD Gear Case Cover	6	30-314	
	3/8-16 x .75" HHCS, SS Gear Case	6	30-50	
33B	3/8-16 x 1.25" HHCS, Brg. Ret., Std. Gear Case	8	30-351	
	3/8-16 x 1.25" HHCS, Brg. Ret. SS Gear Case	8	30-60	
33C	3/8" Flat Washer	6	43-189	

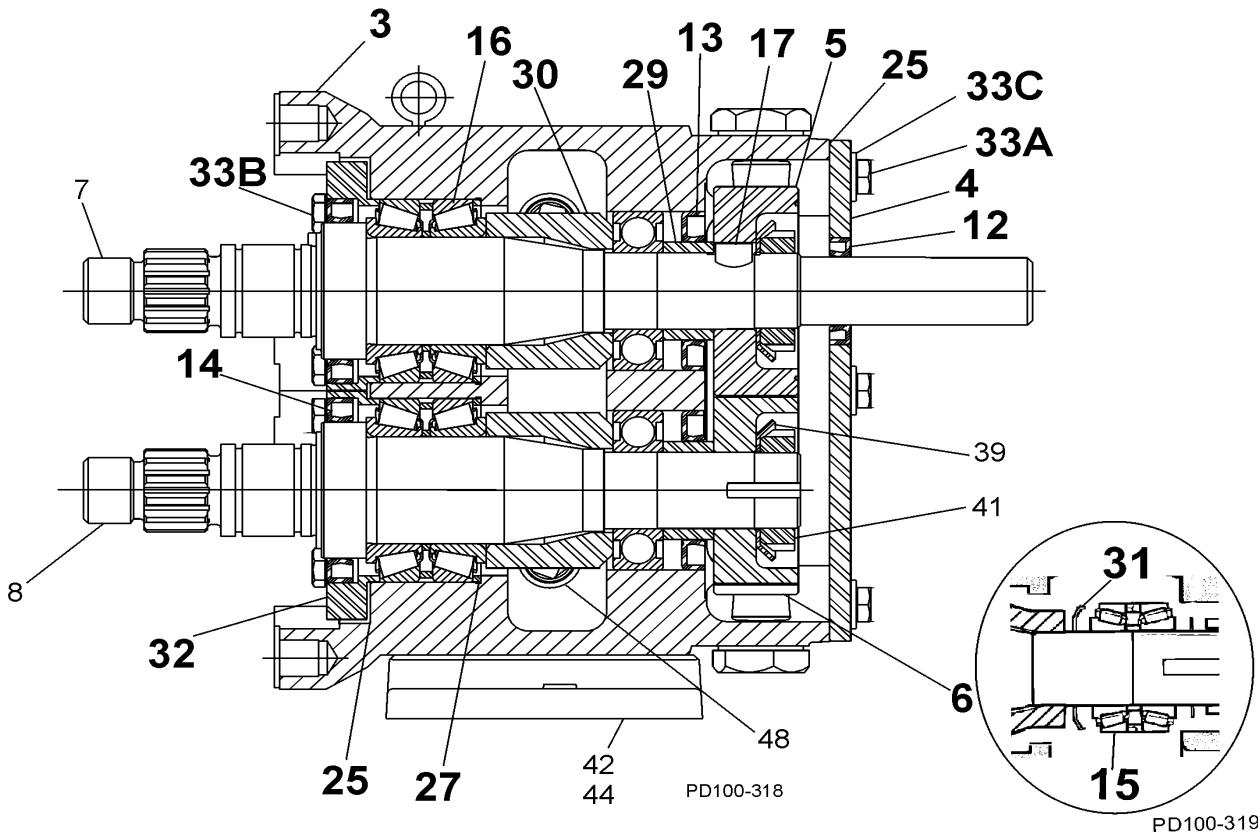
NOTES:

- 40. For pumps prior to 5/15/03
- 41. For pumps after 5/15/03

060 - 064 - 130 - 134 - 133-U1 Common Parts Diagram



Notes:
 1. Item 46 used on 60 through 320.



PD100-319

060 - 064 - 130 - 134 - 133-U1 COMMON PARTS PRICE LIST

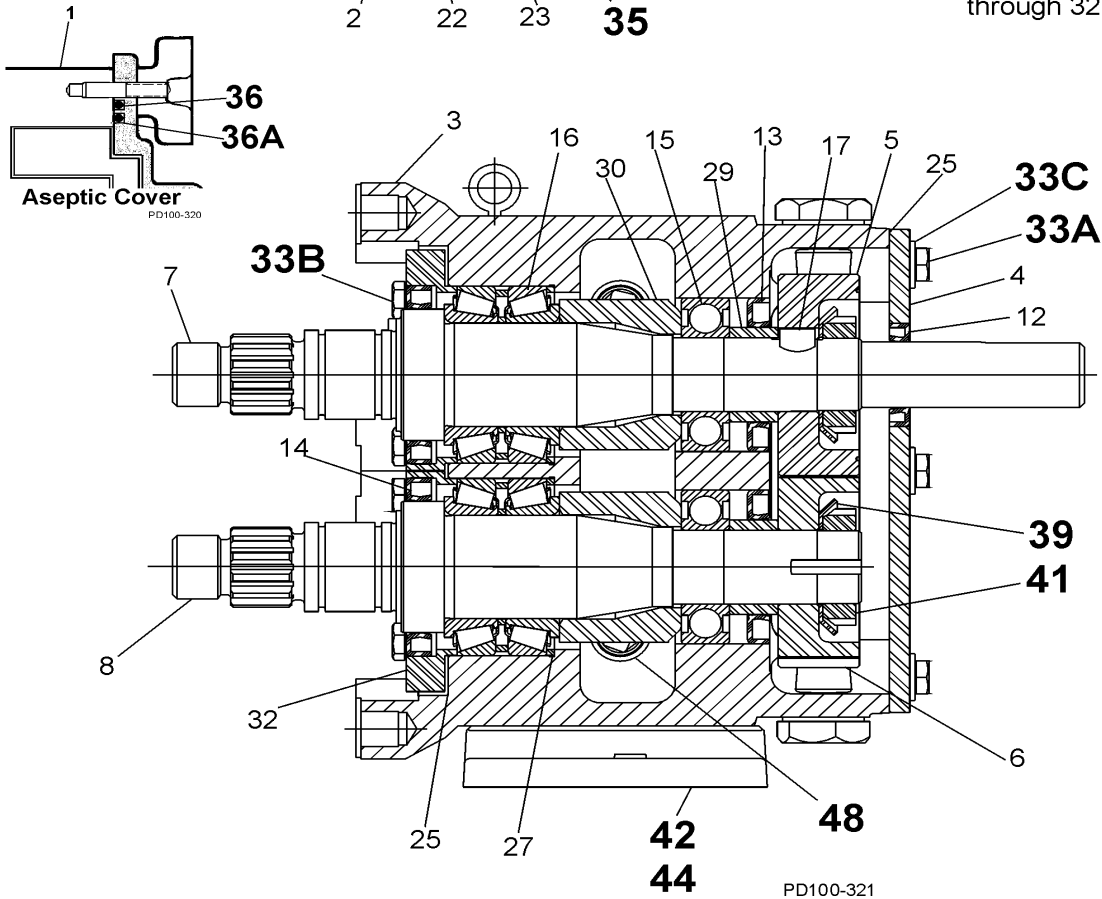
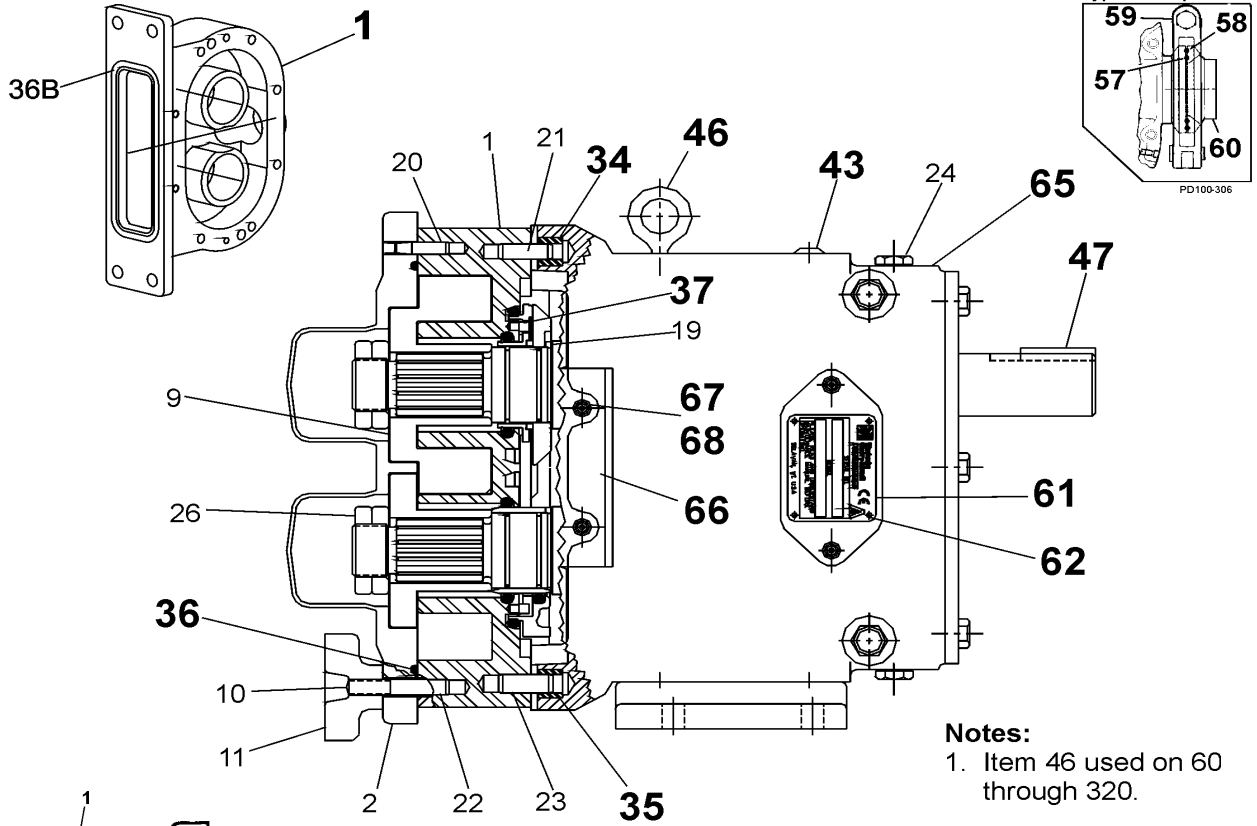
ITEM NO.	DESCRIPTION	QTY. PER PUMP	PART NO.	NOTES
34	Dowel Bushing, Upper	1	CD0 116 000	
35	Dowel Bushing, Lower	1	CD0 116 100	
* 36	O-Ring, Pump Cover, Buna N	1	N70272	
* 36	O-Ring, Pump Cover, EPDM	1	E70272	
* 36	O-Ring, Pump Cover, FKM	1	V70272	
* 36	O-Ring, Pump Cover, Silicone	1	S75272	
* 36A	133-U1 O-Ring, Pump Cover, Inner, EPDM	1	133 117 002	11
* 36A	133-U1 O-Ring, Pump Cover, Inner, FKM	1	133 117 004	11
* 36A	133-U1 O-Ring, Pump Cover, Inner, Silicone	1	133 117 003	11
* 36B	064-U1 O-Ring, Rectangular Flange, Buna N	1	35360	14
* 36B	064-U1 O-Ring, Rectangular Flange, Buna N	1	N70366	14
* 36B	134-U1 O-Ring, Rectangular Flange, Buna N	1	N70272	14
* 36B	134-U1 O-Ring, Rectangular Flange, Buna N	1	N70369	14
37	Stop Pin, Seal	2	223 126 000	
39	Lockwasher, Gear	2	STD 136 009	
41	Locknut, Gear	2	STD 236 009	
42	Gear Case Shim, CI	1	070 110 000	
42	Gear Case Shim, SS; Optional	1	102286	
42	Pump Pedestal, 5.5", Optional	1	CD0 110 SM5	
42	Pump Pedestal, 10", Optional	1	CD0 110 SM1	
43	Plastic Cap Plug	8	000 121 001	
44	5/16-18 x 1" SHCS	4	30-275	
45	060-064-U1 Body Retaining Screw, Optional	2	30-319	15
45	130-133-134-U1 Body Retaining Screw, Optional	2	30-423	15
46	Eye Bolt	2	30-360	
47	Key, Coupling - 3/8 x 3/8 x 1-5/8"	1	000 037 003	
48	Cleanout Plug	2	41013	
* 57	133-U1 O-Ring, Port, Inner, Silicone	2	S75041	11
* 57	133-U1 O-Ring, Port, Inner, EPDM	2	E70041	11
* 58	133-U1 O-Ring, Port, Outer, Silicone	2	S75043	11
* 58	133-U1 O-Ring, Port, Outer, EPDM	2	E70043	11
* 59	133-U1 3" 131 "I" Line Clamp	2	0345223	11
* 60	133-U1 Aseptic Ferrule, 3"	2	133 267 000	11
61	Name Plate, Sanitary	1	001 061 002	
62	#2 x .125" RHDS	4	30-355	
63	O-Ring Removal Tool	1	AD0 096 001	
64	Rotor Nut Wrench, SS	1	109897	
64	060-064-130-134-U1 Wrench, Jacketed Cover	1	060 019 001	
65	Caution Plate	2	33-62	
66	Warning Label	2	33-60	
67	060, 130, 133-U1 Grease Fitting, 1/8"	4	BD0 092 000	
67	064-134-U1 Grease Fitting, 1/8"	4	BD0 092 100	
68	Plastic Cap, Grease Fitting	4	BD0 093 000	

NOTES:

- 11. Used on 133-U1 only.
- 14. New O-Rings N70366 (064) and N70369 (134) introduced in 2001. Fits close to inlet opening.
- 15. New standard for Rectangular Flange Inlet pumps. Optional for standard inlet pumps.
Body must be drilled at Factory to use.

*** Recommended Spare Parts**

060 - 064 - 130 - 134 - 133-U1 Common Parts Diagram



060 - 064 - 130 - 134 - 133-U1 SEAL PARTS PRICE LIST

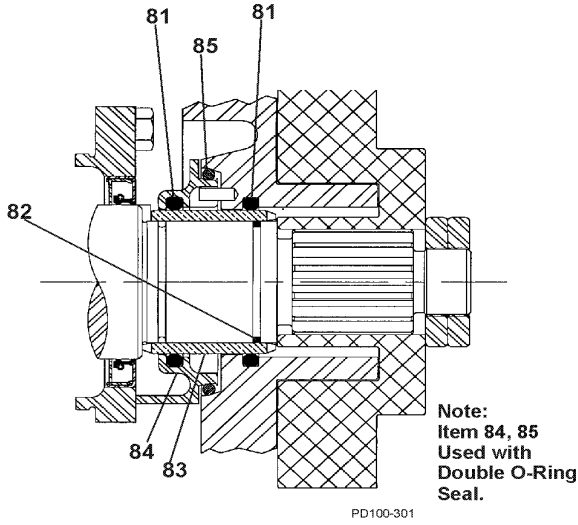
ITEM NO.	DESCRIPTION	QTY. PER PUMP	PART NO.	NOTES
O-RING AND MECHANICAL SEAL PARTS				
* 81	O-Ring, Body, Buna N	2	N70331	6, 25
* 81	O-Ring, Body, EPDM	2	E70331	6
* 81	O-Ring, Body, FKM	2	V70331	6
* 81	O-Ring, Body, Silicone	2	S75331	6
* 82	O-Ring, Shaft, Buna N	2	N70131	16, 25
* 82	O-Ring, Shaft, EPDM	2	E70131	16, 25
* 82	O-Ring, Shaft, FKM	2	V70131	16
* 82	O-Ring, Shaft, Silicone	2	S75131	16
* 83	Sleeve, SS	2	060 098 000	
* 83	Sleeve, Zirconia	2	060 098 004	
* 83	Sleeve, Chrome Oxide	2	060 098 002	
84	O-Ring Seal Carrier	2	060 034 000	7
* 85	O-Ring, Outer, Buna N - Seal Carrier	2	N50338	7, 8
* 85	O-Ring, Outer, EPDM - Seal Carrier	2	E50338	7, 8
* 85	O-Ring, Outer, FKM - Seal Carrier	2	V50338	7, 8
* 86	060-064-130-134-U1 Seal Seat, Ceramic	2	060 014 002	
* 86	060-064-130-134-U1 Seal Seat, Chrome Oxide	2	060 014 001	
* 86	060-064-130-134-U1 Seal Seat, Silicon Carbide	2	060 014 009	
* 86	133-U1 Seal Seat, Ceramic	2	133 014 002	11
* 86	133-U1 Seal Seat, Chrome Oxide	2	133 014 001	11
* 86	133-U1 Seal Seat, Silicon Carbide	2	133 014 009	11
* 87	Seal Inner, Carbon (2 Piece)	2	060 306 001	
* 87	Seal Inner, Carbon (1 Piece)	2	060 306 007	
* 87	Seal Inner, Ceramic	2	40642	
* 87	Seal Inner, Chrome Oxide	2	060 306 002	
* 87	Seal Inner, Silicon Carbide	2	060 306 009	
88	Wave Spring	2	060 304 000	
* 89	Outer Seal, Carbon (1 Piece)	2	060 206 007	8
* 89	Outer Seal, Chrome Oxide	2	060 206 002	8

NOTES:

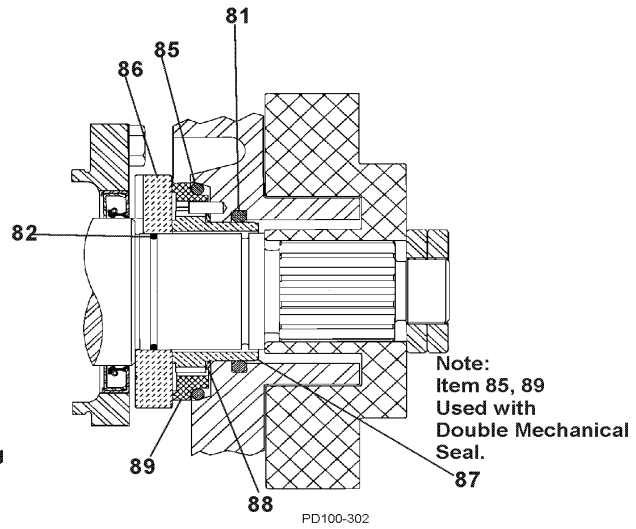
- 6. (4) needed per pump with double O-ring Seal.
- 7. Used with double O-Ring Seal.
- 8. Used with double Mechanical Seal.
- 11. Used on 133-U1 only.
- 16. (4) needed per pump on 133-U1.
- 25. Sold in packages of 25 only.

* Recommended Spare Parts

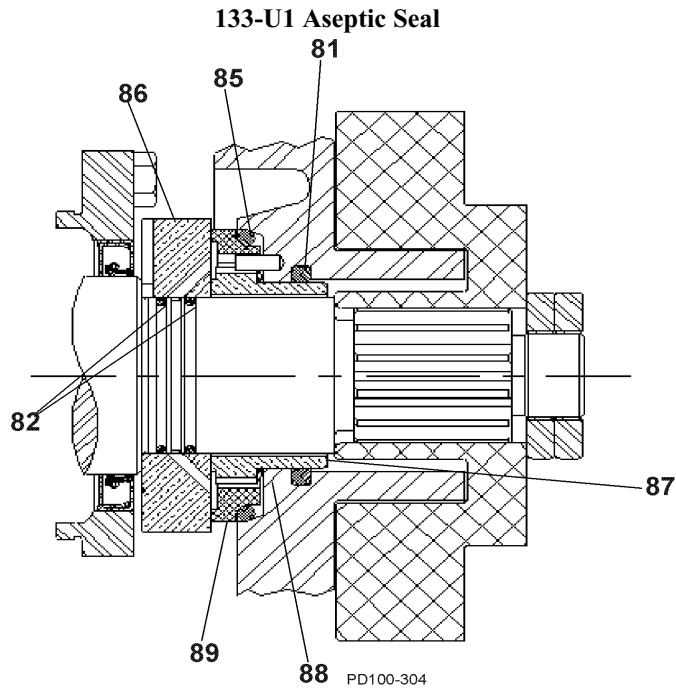
060 - 064 - 130 - 134-U1 Seals Parts Diagram



O-Ring Seal



Mechanical Seal



060 - 064 - 130 - 134-U1 VENTED COVER PRICE LIST

ITEM NO.	DESCRIPTION	QTY. PER PUMP	PART NO.	NOTES
MANUAL VENTED COVER				
101	Vented Cover	1	CD0 002 VS0	
102	Adjusting Screw	1	113657	
103	Spring Plunger	1	113397	
104	Locknut	1	GD0 074 000	
105	Spring, Medium (less than 150 PSI)	1	113523	
	Spring, High (more than 150 PSI)	1	113400	
106	Diaphragm Bushing	1	CD0 077 000	
107	Cover Nut	1	113398	
* 108	Rubber Diaphragm, Buna N	1	CD0 078 000	
PNEUMATIC VENTED COVER				
101	Vented Cover	1	CD0 002 VS0	
* 108	Diaphragm, Buna N	1	CD0 078 000	
110	Diaphragm Bushing	1	CD0 077 P00	
111	Cover Nut	1	CD0 075 P00	
PISTON VENTED COVER				
101	Vented Cover	1	CD0 002 VS0	
112	Piston	1	CD0 073 P10	
* 113	O-Ring, Bushing Seal, Buna N	1	N70239	
114	Diaphragm Bushing	1	CD0 077 P10	
* 115	O-Ring, Nut Seal, Buna N	1	N70240	
116	Cover Nut	1	CD0 075 P10	
* 117	Piston Seal, Quad Ring	1	CD0 133 000	9
* 117	Piston Seal, O-Ring	1	N70236	9

NOTES:

9. Quad Ring and O-Ring can be interchanged.

* **Recommended Spare Parts**

060 - 064 - 130 - 134-U1 Vented Cover Diagram (Not Used on 133-U1 Pump)

