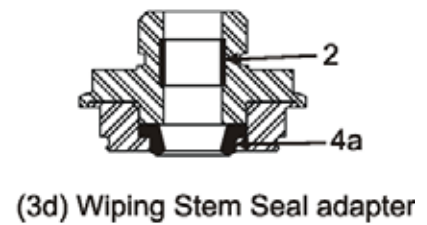
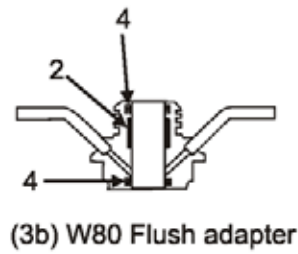
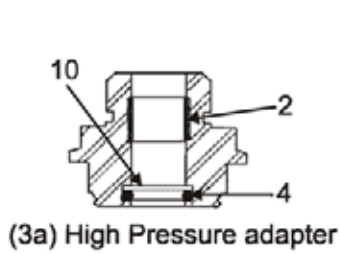
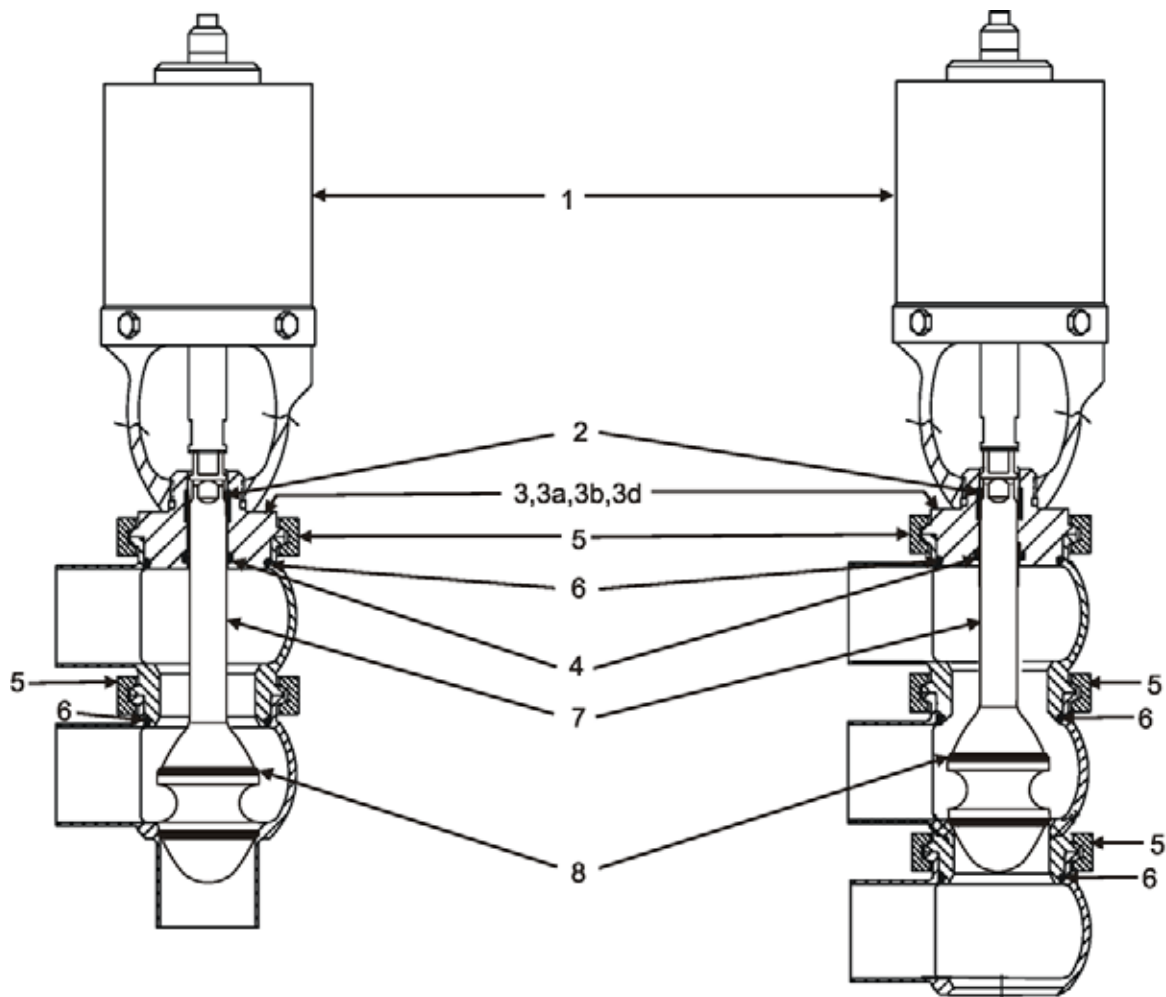


W682 / W882 DIVERT THROTTLING VALVE



VA100-W682

W682 / W882 DIVERT THROTTLING VALVE

Item #	Part Description	1-1/2"	2"	2-1/2"	3"	4"
	Control Top	Contact Factory				
1	Actuator	See Pages 42-62				
* 2	Bearing	102757	102757	102757	102757	102757
3	Adapter, W60 (Std.)	102406	102407	102408	102409	102410
3a	Adapter, High Pressure	W60 109293	109294	109295	N/A	N/A
		W80 116925	116926	116927	N/A	N/A
3b	Adapter, W80 ²	106291	106292	106293	106294	106295
3d	Adapter, Wiping Seal ¹	117879	117880	117881	117882	117883
* 4	O-ring, Stem	EPDM E70210	E70210	E70210	E70210	E70210
		FKM V70210	V70210	V70210	V70210	V70210
* 4a	Wiping Stem Seal¹	EPDM 116183	116183	116183	116183	116183
		FKM 115626	115626	115626	115626	115626
5	Clamp	Standard 119-30	119-33	119-34	119-51	119-87
		High Pressure ³ 119-271	119-272	119-273	N/A	N/A
* 6	O-ring, Body	EPDM E70223	E70228	E70232	E70236	E70244
		FKM V70223	V70228	V70232	V70236	V70244
7	Stem (less seat ring) ⁴	Metal, Low Flow Plug 116995	116804	116999	117003	117007
		Metal, High Flow Plug 116997	116806	117001	117005	117009
		Tri Ring, Low Flow Plug 116996	116805	117000	117004	117008
		Tri Ring, High Flow Plug 116998	116807	117002	117006	117010
* 8	Seat Ring	Tri Ring, EPDM 107692	107695	107048	102488	107698
		Tri Ring, FKM 107983	107986	107982	107974	107989
10	High Pressure Backup Ring	BUR210	BUR210	BUR210	N/A	N/A

PL5027-CH12

NOTES:

*** Recommended Spare Parts**

1. Wiping stem seal adapter and wiping stem seal options available for W60 series valves only.
2. W80 adapter allows for liquid or steam flush of stem o-ring.
3. High pressure body clamp only required for valves equipped with high pressure adapter (item 3a).
4. To find Cv values for both low and high flow stems, refer to Cv factor chart in the Valve Price Book PL5026 or DS1207 Single Seat Valve Key. Example: 2" Valve stem with low flow plug is Cv 30 and the high flow plug is Cv 70.

