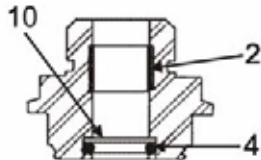
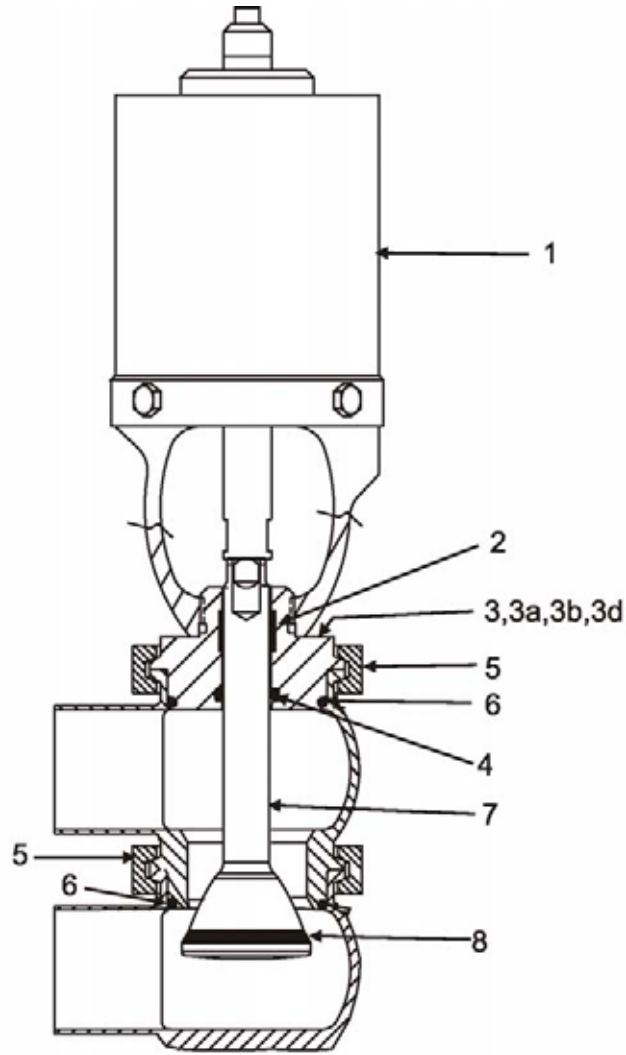
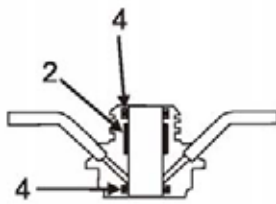


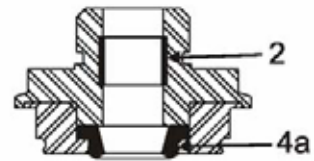
W68R / W88R REVERSE THROTTLING VALVE



(3a) High Pressure adapter



(3b) W80 Flush adapter



(3d) Wiping Stem Seal adapter

VA100-W68R

W68R / W88R REVERSE THROTTLING VALVE

Item #	Part Description	1-1/2"	2"	2-1/2"	3"	4"	
	Control Top	Contact Factory					
1	Actuator	See Pages 42-62					
* 2	Bearing	102757	102757	102757	102757	102757	
3	Adapter, W60 (Std.)	102406	102407	102408	102409	102410	
3a	Adapter, High Pressure	W60	109293	109294	109295	N/A	N/A
		W80	116925	116926	116927	N/A	N/A
3b	Adapter, W80 ²	106291	106292	106293	106294	106295	
3d	Adapter, Wiping Stem Seal ¹	117879	117880	117881	117882	117883	
* 4	O-ring	EPDM	E70210	E70210	E70210	E70210	E70210
		FKM	V70210	V70210	V70210	V70210	V70210
* 4a	Wiping Stem Seal¹	EPDM	116183	116183	116183	116183	116183
		FKM	115626	115626	115626	115626	115626
5	Clamp	Standard	119-30	119-33	119-34	119-51	119-87
		High Pressure ³	119-271	119-272	119-273	N/A	N/A
* 6	O-ring, Body	EPDM	E70223	E70228	E70232	E70236	E70244
		FKM	V70223	V70228	V70232	V70236	V70244
7	Stem (less seat ring) ⁴	Metal, Low Flow Plug	113686	113690	113694	113698	113702
		Metal, High Flow Plug	113688	113692	113696	113700	113704
		Tri Ring, Low Flow Plug	113687	113691	113695	113699	113703
		Tri Ring, High Flow Plug	113689	113693	113697	113701	113705
* 8	Seat Ring	Tri Ring, EPDM	107692	107695	107048	102488	107698
		Tri Ring, FKM	107983	107986	107982	107974	107989
10	High Pressure Backup Ring		BUR210	BUR210	BUR210	N/A	N/A

PL5027-CH11

NOTES:

* Recommended Spare Parts

1. Wiping stem seal adapter and wiping stem seal options available for W60 series valves only.
2. W80 adapter allows for liquid or steam flush of stem o-ring.
3. High pressure body clamp only required for valves equipped with high pressure adapter (item 3a).
4. To find Cv values for both low and high flow stems, refer to Cv factor chart in the Valve Price Book PL5026 or DS1207 Single Seat Valve Key. Example: 2" Valve stem with low flow plug is Cv 30 and the high flow plug is Cv 70.

