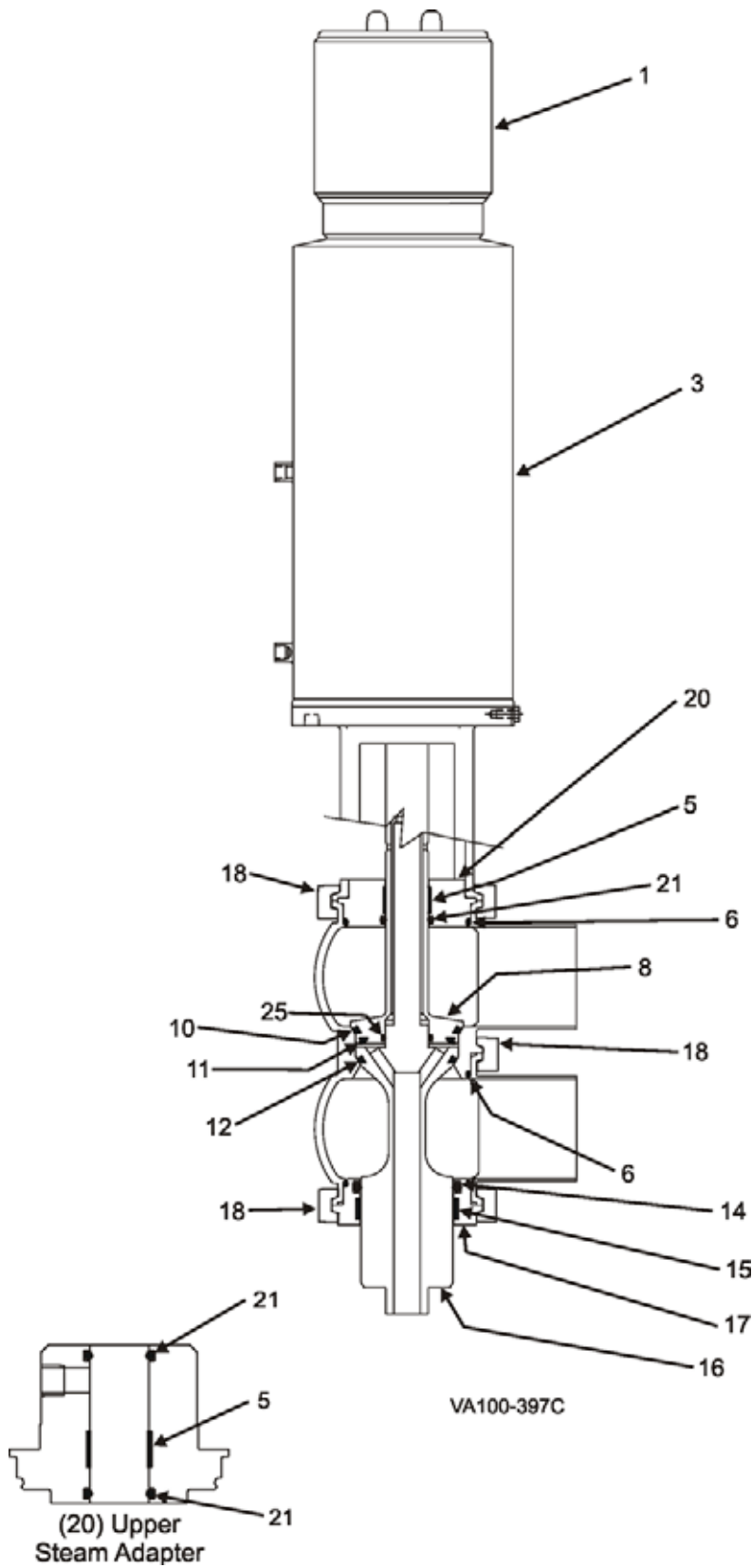


W71 MIX PROOF SEAT LIFT VALVE



W71 MIX PROOF SEAT LIFT VALVE

Item #	Part Description		1-1/2"	2"	2-1/2"	3"	4"
1	Control Top		Contact Factory				
3	Actuator		See Pages 91-94				
* 4	O-ring	Nitrile	N70010	N70010	N70111	N70111	N70111
* 5	Bearing		102757	102757	106047	106047	106047
* 6	O-ring, Body	EPDM	E70223	E70228	E70232	E70236	E70244
		FKM	V70223	V70228	V70232	V70236	V70244
8	Stem, Upper		111042	111014	111052	111022	111049
* 10	Seat Ring -Tri Ring, Upper	EPDM	106031	102736	107048	102488	102491
		FKM	107990	107980	107982	107974	107977
* 11	Seat Ring -Tri Ring, Vent	EPDM	106041	107693	107696	107697	102490
		FKM	107992	107984	107987	107988	107976
* 12	Seat Ring -Tri Ring, Lower	EPDM	106036	107693	102487	102489	102492
		FKM	107991	107984	107973	107975	107978
* 14	O-ring, Lower Stem	EPDM	E70322	E70327	E70331	E70335	E70342
		FKM	V70322	V70327	V70331	V70335	V70342
15	Bearing		101947	102000	106049	106048	102003
16	Stem, Lower Assembly ¹		118247	118248	118249	118250	118251
17	Seal Retainer		106066	106067	106068	106069	106070
18	Clamp		119-30	119-33	119-34	119-51	119-87
20	Adapter		111043	111017	111196	111026	111029
* 21	O-ring, Upper Stem	EPDM	E70210	E70210	E70214	E70214	E70214
		FKM	V70210	V70210	V70214	V70214	V70214
* 25	O-ring	EPDM	E70115	E70115	E70121	E70121	E70121
		FKM	V70115	V70115	V70121	V70121	V70121
* 26	O-ring	Nitrile	N80016	N80016	N80020	N80020	N80020

PL5027-CH49

NOTES:

* Recommended Spare Parts

1. Part numbers include lower stem and stem bushing which are assembled together.

