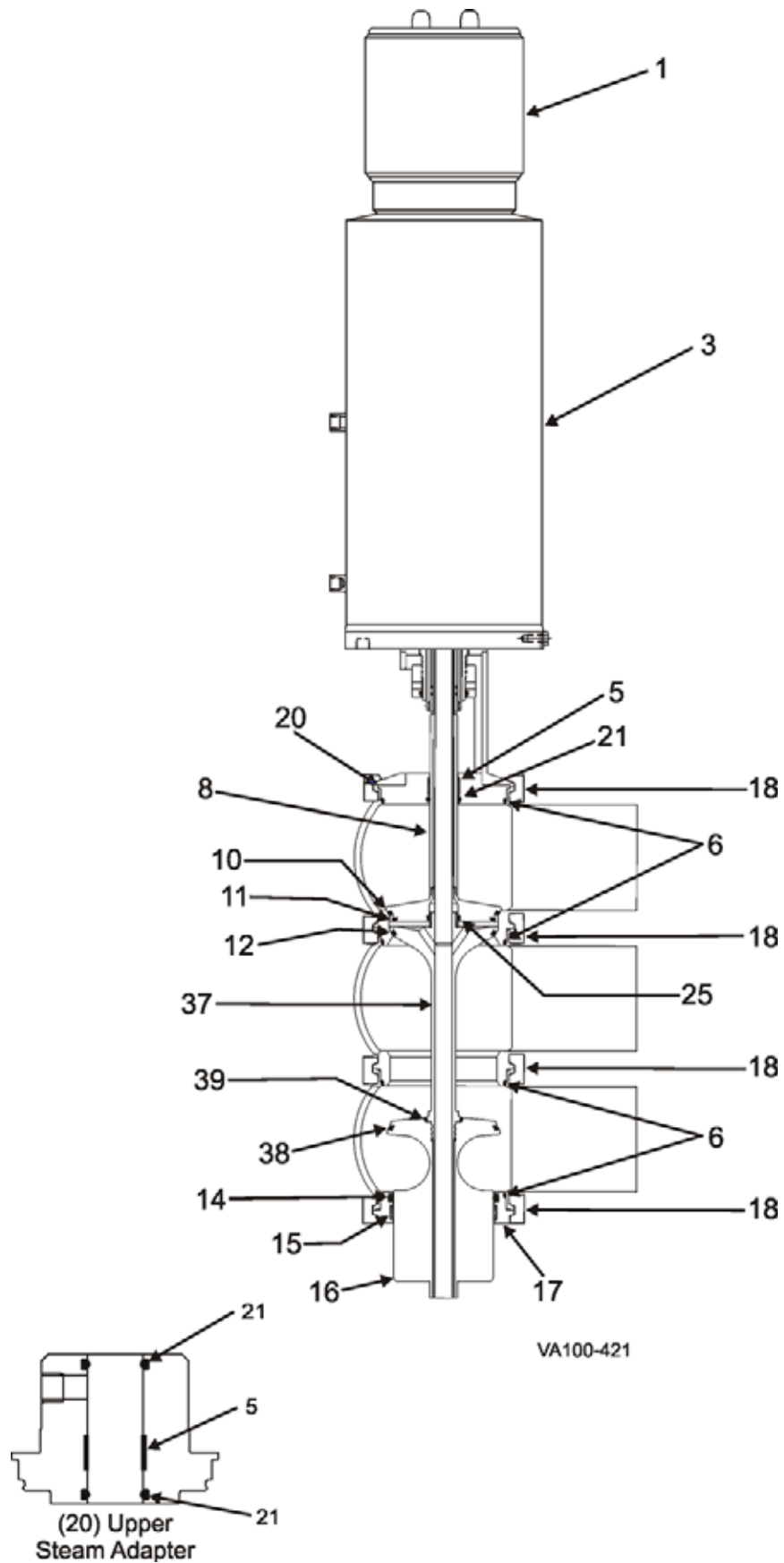


W73 DIVERT MIX PROOF SEAT LIFT VALVE



W73 DIVERT MIX PROOF SEAT LIFT VALVE

Item #	Part Description	1-1/2"	2"	2-1/2"	3"	4"
1	Control Top	Contact Factory				
3	Actuator	See Pages 91-94				
* 4	O-ring Nitrile	N70010	N70010	N70111	N70111	N70111
* 5	Bearing	102757	102757	106047	106047	106047
* 6	O-ring, Body EPDM	E70223	E70228	E70232	E70236	E70244
	FKM	V70223	V70228	V70232	V70236	V70244
8	Stem, Upper	111042	111014	111052	111022	111049
* 10	Seat Ring -Tri Ring, Upper EPDM	106031	102736	107048	102488	102491
	FKM	107990	107980	107982	107974	107977
* 11	Seat Ring -Tri Ring, Vent EPDM	106041	107693	107696	107697	102490
	FKM	107992	107984	107987	107988	107976
* 12	Seat Ring -Tri Ring, Lower EPDM	106036	107693	102487	102489	102492
	FKM	107991	107984	107973	107975	107978
* 14	O-ring, Lower Stem EPDM	E70322	E70327	E70331	E70335	E70342
	FKM	V70322	V70327	V70331	V70335	V70342
15	Bearing	101947	102000	106049	106048	102003
16	Stem, Lower Assembly ¹	118319	118320	118321	118322	118323
17	Seal Retainer	106066	106067	106068	106069	106070
18	Clamp	119-30	119-33	119-34	119-51	119-87
20	Adapter	111043	111017	111196	111026	111029
* 21	O-ring, Upper Stem EPDM	E70210	E70210	E70214	E70214	E70214
	FKM	V70210	V70210	V70214	V70214	V70214
* 25	O-ring EPDM	E70115	E70115	E70121	E70121	E70121
	FKM	V70115	V70115	V70121	V70121	V70121
* 26	O-ring Nitrile	N80016	N80016	N80020	N80020	N80020
37	Stem, Middle	116684	116957	116390	114505	115659
* 38	Tri Ring, Divert Stem EPDM	106036	107693	107048	111633	102492
	FKM	107991	107984	107982	111635	107978
* 39	O-ring, Divert stem EPDM	E70210	E70215	E70217	E70217	E70217
	FKM	V70210	V70215	V70217	V70217	V70217

PL5027-CH55

NOTES:

* Recommended Spare Parts

1. Part numbers include lower stem and stem bushing which are assembled together.

