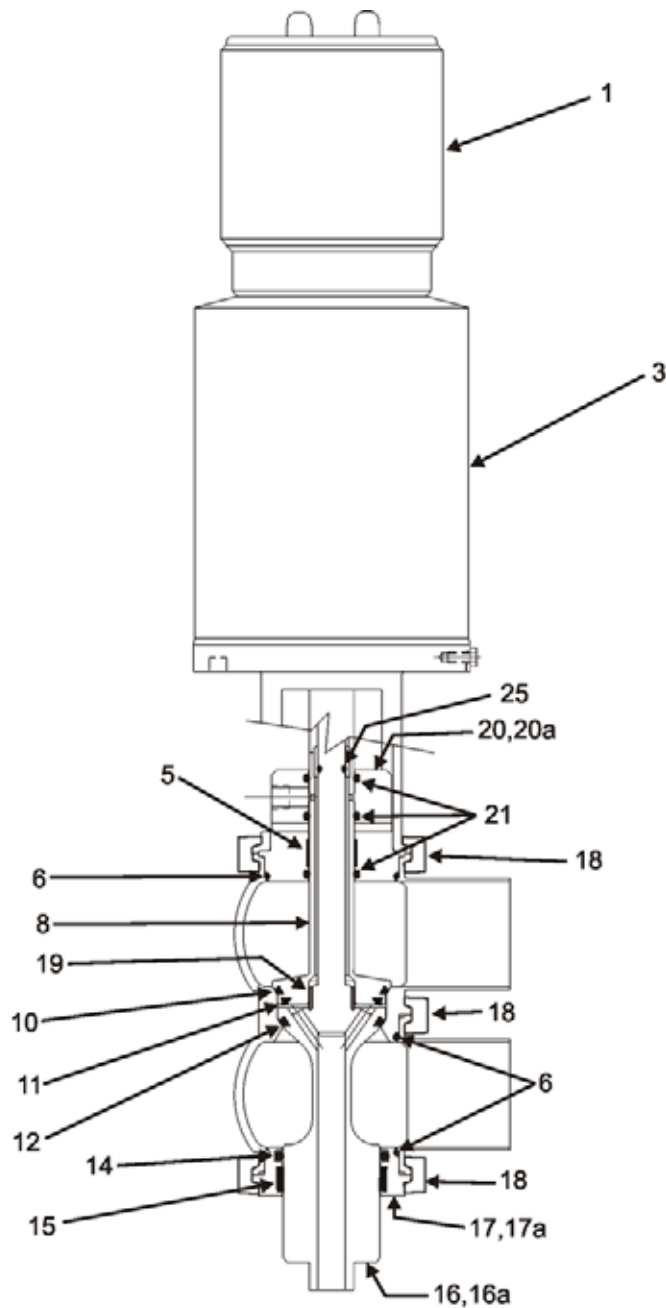
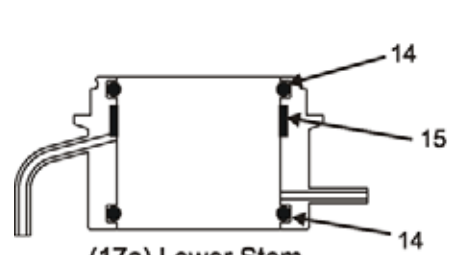


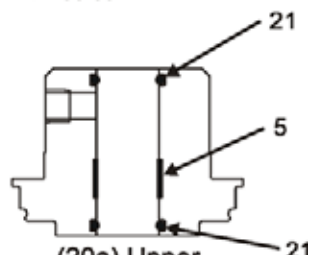
W71 MIX PROOF NON SEAT LIFT WITH EXTERNAL FLUSH VALVE



VA100-397B



(17a) Lower Stem
Flush/Steam Adapter



(20a) Upper
Steam Adapter

W71 MIX PROOF NON SEAT LIFT WITH EXTERNAL FLUSH VALVE

Item #	Part Description	1-1/2"	2"	2-1/2"	3"	4"
1	Control Top	Contact Factory				
3	Actuator	See Pages: 91-94				
* 4	O-ring Nitrile	N70010	N70010	N70111	N70111	N70111
5	Bearing	102757	102757	106047	106047	106047
* 6	O-ring, Body EPDM	E70223	E70228	E70232	E70236	E70244
	FKM	V70223	V70228	V70232	V70236	V70244
8	Stem, Upper	106015	106016	106017	106018	106019
* 10	Seat Ring -Tri Ring, Upper EPDM	106031	102736	107048	102488	102491
	FKM	107990	107980	107982	107974	107977
* 11	Seat Ring -Tri Ring, Vent EPDM	106041	107693	107696	107697	102490
	FKM	107992	107984	107987	107988	107976
* 12	Seat Ring -Tri Ring, Lower EPDM	106036	107693	102487	102489	102492
	FKM	107991	107984	107973	107975	107978
* 14	O-ring, Lower Stem EPDM	E70322	E70327	E70331	E70335	E70342
	FKM	V70322	V70327	V70331	V70335	V70342
15	Bearing	101947	102000	106049	106048	102003
16	Stem, Lower	106051	106052	106053	106054	106055
16a	Stem, Lower (Flush)	114933	114934	114935	114936	114937
17	Seal Retainer	106066	106067	106068	106069	106070
17a	Seal Retainer, (Flush)	114918	117728	114920	117736	118364
18	Clamp	119-30	119-33	119-34	119-51	119-87
19	Spray Bushing	106030	106030	107950	107950	107950
20	Adapter (Liquid Flush)	106020	106021	106022	106023	106024
20a	Adapter (Steam Flush)	114923	114924	114925	114926	114927
* 21	O-ring, Upper Stem EPDM	E70210	E70210	E70214	E70214	E70214
	FKM	V70210	V70210	V70214	V70214	V70214
24	Stem, Outer	107790	107756	107949	107949	107949
* 25	O-ring EPDM	E70010	E70010	E70111	E70111	E70111
	FKM	V70010	V70010	V70111	V70111	V70111

PL5027-CH48

NOTES:

* Recommended Spare Parts

