

Product Information - HA **LIFE SCIENCES**

“HA” Mini Pressure Transmitters

Introduction

Anderson-Negele’s HA “Mini” sanitary pressure transmitter is specifically designed for critical measurements in fractional size lines. The product can be ordered with 3/4”, 1”, or 1-1/2” Tri-Clamp® connections as well as our CPM fitting. This eliminates the need for reducers or adapters, thus reducing hold-up volumes in small lines. Internal zero and span adjustments and easily accessible test points greatly simplify calibration and validation. 316 “L” stainless steel wetted parts are electro-polished to an $R_a=8$. Finally, since it’s an Anderson-Negele “Life Sciences Series” product, every transmitter includes a calibration certificate and permanent tag at no charge. Complete specifications appear below, with an ordering matrix and dimensions on the reverse.



Specifications

<p>Excitation: 10-40 VDC (Absolute), 24 VDC Nominal regulated or unregulated</p> <p>Output: 4-20 mA DC, 2 wire with non-interrupting circuit verification test points</p> <p>Loop Resistance: 0-700 ohms at 24 VDC</p> <p>Wiring Connection: 16 AWG max.; Screw Terminal; Accessible via removable screw cap conduit housing Optional 5pin M12 Quick Disconnect Receptacle</p> <p>Recommended Cable: 22-24 AWG, foil shielded, and PVC coated. (3/16 - 1/4 OD insulation)</p> <p>Accuracy: ± 0.5% of full scale</p> <p>Repeatability: ± 0.3% of full scale</p> <p>Hysteresis: ± 0.10% of full scale</p> <p>Linearity: ±0.10% of full scale</p> <p>Stability: ±0.30% of calibrated range/6 months</p> <p>Storage Temperature: -40°C to 65°C (-40°F to 149°F)</p> <p>Process Temperature Limits: -1°C to 149°C (30°F to 300°F) (Horizontal Mount recommended over 135°C (275°F))</p> <p>Ambient Temperature Limits: -18°C to 49°C (0°F to 120°F)</p> <p>Effect of Temperature Change: ± 0.1 psig/5.5°C (10°F) typical</p>	<p>Over-Range Rating: 2 times base range</p> <p>Response Time: 200 uSec</p> <p>Wetted Parts: 316L stainless steel electropolished (Ra max. = 8 microinches, .2 microns)</p> <p>Housing Material: 304 stainless steel</p> <p>Actuating Fill: 100% mineral oil. Meets FDA requirements (21 CFR, 172.878 and 178.3620(a))</p> <p>Zero and Span Adjustments: ± 10% of range</p> <p>Mounting: Direct connection</p> <p>Electrical Ratings: Intrinsically safe for use in Class 1, Div. 1, Groups A-D; CE Compliant (EMC Industrial Locations)</p> <p>Standards: Designed and manufactured to sound engineering practices in accordance with Article 3.3 of the PED 97/23/EC NEMA 4X IP66 CSA B51-03 CRN# CSA0F9754.5C (except Mini CPM fitting 161)</p>
---	---

Provided by:

Holland[®]
APPLIED TECHNOLOGIES
www.hollandapt.com
Phone: 800-800-8464

Order Information



HOUSING

6 Conduit Housing

RANGE/(AVAILABLE UNITS)

025	30" Hg/0	(M)
028	30" Hg/0/15 psig	(C)
029	30" Hg/0/30 psig	(C)
031	30" Hg/0/60 psig	(C)
032	30" Hg/0/100 psig	(C)
056	-1/0/4 BAR	(B)
057	0/2 BAR	(B, T)
060	0/6 BAR	(B)
061	0/10 BAR	(B, T)
066	0/30	(G, A, M)
068	0/50	(G, A, B)
069	0/60	(G, A, B)
071	0/100	(G, A)
073	0/150	(G, A)
077	0/300	(G, A)
081	0/500	(G)
084	0/1000	(G)
192	0/4 BAR	(B, T)
217	-1/0/3 BAR	(B)
235	0/3 BAR	(B, T)
251	-1/0/1 BAR	(B)
286	-1/0/2.5 BAR	(B)
304	-1/0/7 BAR	(B)

ENGINEERING UNITS

G	PSIG
M	" Hg (inches mercury)
A	PSIA
B	BAR
C	Vacuum/Pressure (Hg & PSIG)
T	BAR (Absolute)

FITTING

002	3/4" Tri Clamp®
003	1" Tri Clamp®
004	1.5" Tri Clamp®
123	CPM*
161	Mini CPM

0 STANDARD SENSOR

CABLE LENGTH

00	No Cable
05	25'
10	50'
15	75'
20	100'
24	200'
A0	Quick Disconnect Receptacle(QDR)**
A1	QDR & Field Wireable Connector(FWC)**
A2	QDR w/25 ft Molded Cordset**
A3	QDR w/50 ft Molded Cordset**
A5	QDR w/100 ft Molded Cordset**
A9	QDR w/200 ft Cable**

FINISH

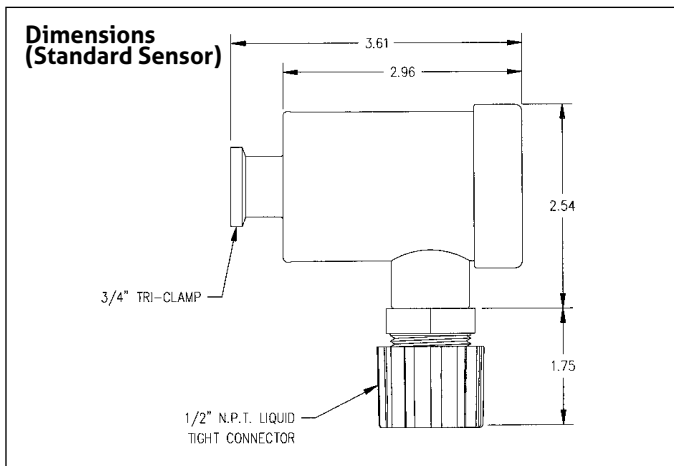
2 Electropolished (R_a = 8)

DIAPHRAGM MATERIAL

1 316L Stainless Steel

* Standard O-Ring material is EPDM USP Class VI
Silicon or Viton available as an option

** UL Certification for Intrinsic Safety Pending



Provided by:



www.hollandapt.com

Phone: 800-800-8464