



**Waukesha
Cherry-Burrell**

® An SPX Process Equipment Operation

SPX Process Equipment

Typical Applications:

- **Blending Stabilizers** - such as with fresh milk, liquid eggs, ice cream mix
- **Blending Liquid Syrup** - such as with raw sugar or water
- **Blending Food Products** - such as whey and water, powdered eggs to liquid, liquid syrup with liquid eggs and flavorings
- **Blending Chemical Products** - such as sodium silicoaluminate, film solution, irium, fertilizer

Extremely compact and simple in operation, these powerful blenders are ideal for either continuous or batch processes that require recirculation. The design employs a unique "tube-in-tube" principle. Pre- and post-blending is unnecessary in most operations; lumping, flooding or foaming, often can be eliminated. This is because Waukesha DTL Blenders integrate dry ingredients in to liquid without air.

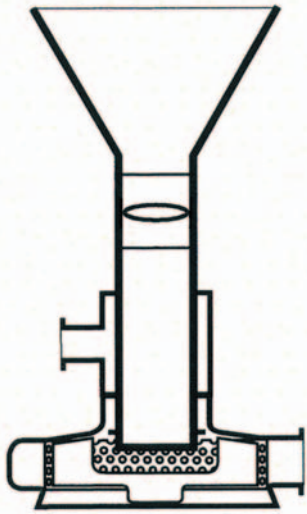
DTL Blenders



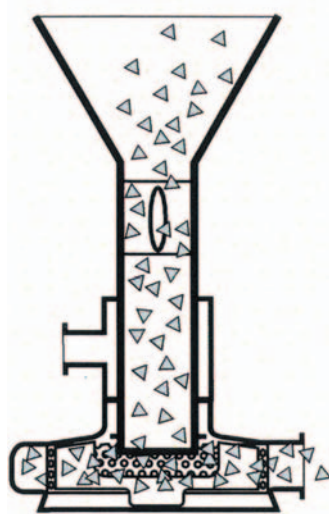
- **Uniform, continuous material absorption**
- **Simple to operate**
- **Mix without adding air** for less foaming or lumping
- **Blend up to 100 lbs./minute**
- **Incorporate easily** into existing systems
- **Accepts "wash down" motor**
- **Portable units** (optional)

DTL Blenders

Blending Action

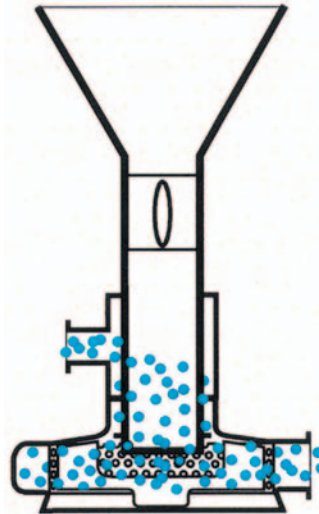


TUBE-IN-TUBE



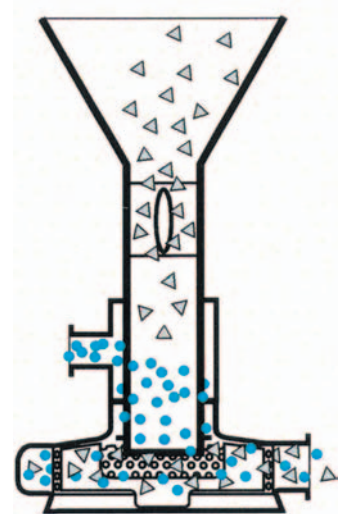
DRY

*Add powder to funnel
to begin process*



WET

*Add liquid to powder
stream*



BLEND

*Incorporate powder
and liquid into blend-
ed solution*

For more information about our worldwide locations, approvals and certifications, and local representatives, please visit our web site.

Web Site: www.spxpe.com

E-Mail: wcb@processequipment.spx.com

SPX Process Equipment

Your local contact

611 Sugar Creek Road Delavan, WI 53115 Telephone: (262)728-1900 or (800)252-5200 Fax: (262)728-4904 or (800)252-5012

SPX Process Equipment reserves the right to incorporate our latest design and material changes without notice or obligation. Design features, materials of construction and dimensional data, as described in this bulletin, are provided for your information only and should not be relied upon unless confirmed in writing. Certified drawings are available upon request.

Issued: 08/06 FH-1706