

Parts Lists

Labels.....59

Cylinder Assembly.....60

Latch.....61

Product Heads.....61

Cylinder Assembly - Shaft.....62

Cylinder Assembly - Removable Tube.....63

Single Mechanical Seal.....64

Double Mechanical Seal.....66

Vertical Refrigeration Piping.....68

Vertical Frame/Hydraulics.....70

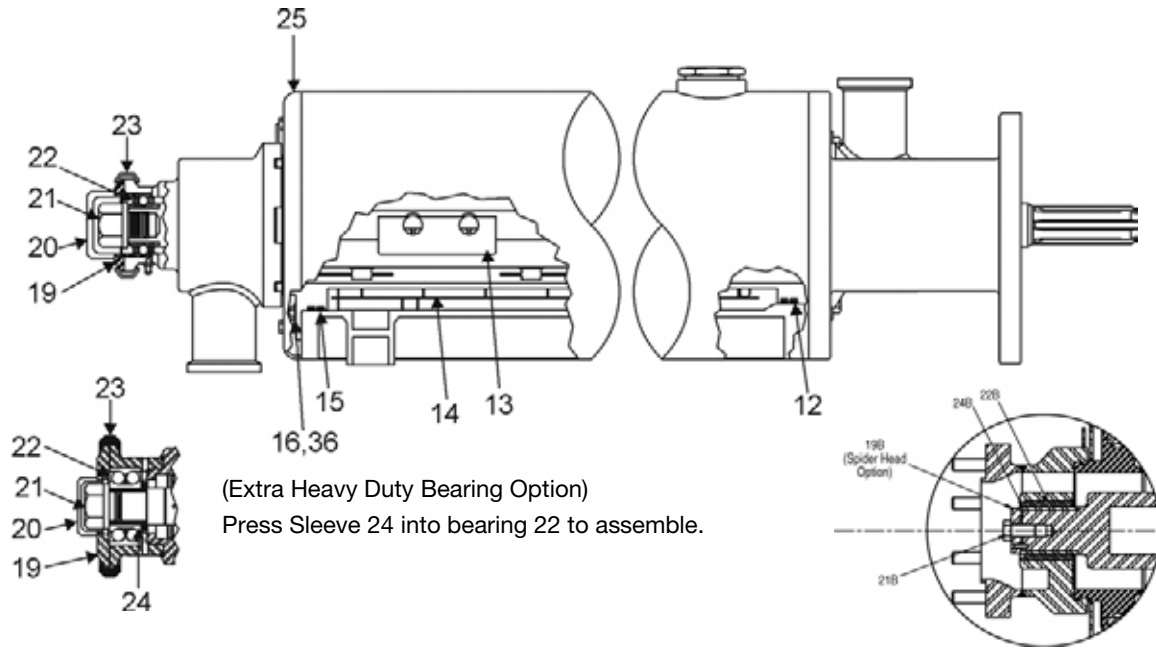
Shaft Heater (Optional).....71

Votator II Recommended Spare Parts.....72

Labels

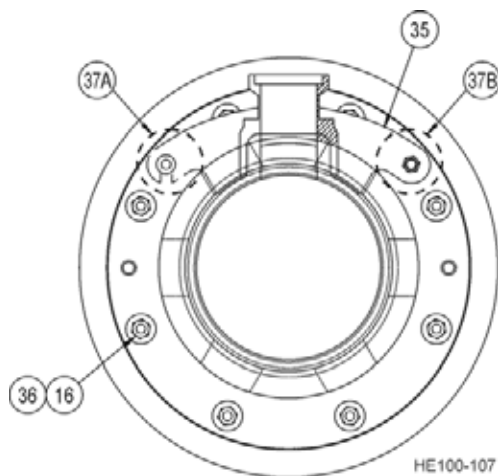
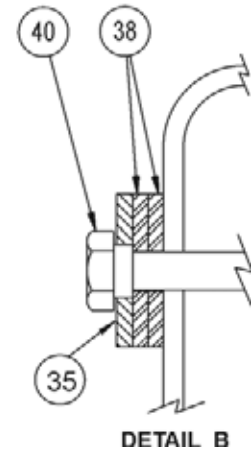
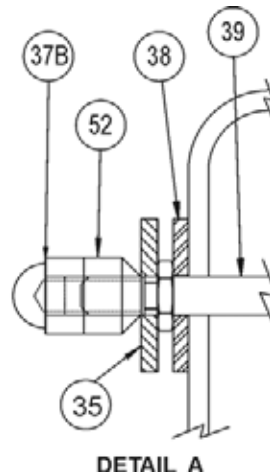
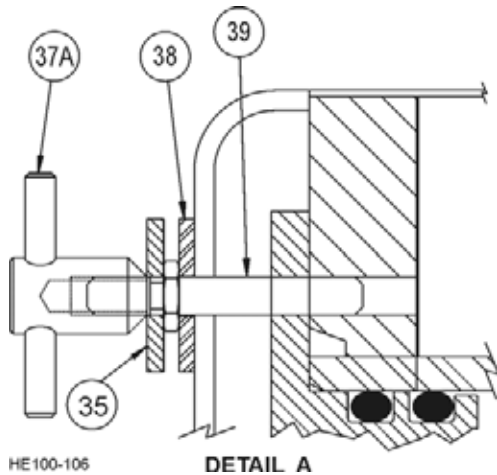
PART NUMBER	DESCRIPTION
927603	3A Authorization
925499	Caution/Warning Shaft Guard
119169	Danger - Contents Under Pressure
119170	Safety Instructions
930514	Votator II Logo Horizontal
930513	Votator II Logo Vertical
931360	Caution/Warning Product Head Locking Latch
931407	Caution/Warning Product Head Locking Latch

Cylinder Assembly



ITEM #	PART DESCRIPTION	QTY	MODEL/MATERIAL	PART #
12	Jacket O-ring (Drive End)	2	EPDM	E75444
			Neoprene (Rfg)	R70444
			Fluoroelastomer	V75444
13	Blades	AR	PEEK	118683
			410 SS	900127
			Celcon	900129
			Brass	918089
			410 SS (5-1/4" dia only)	926752
14	Packing, Concentric and Eccentric	1	BWS only	710015
	Packing, Oval	1	Liquid Jacket	710296
15	Jacket O-ring (Opposite Drive End)	2	EPDM	E75446
			Neoprene (Rfg)	R70446
			Fluoroelastomer	V75446
16	Heavy Hex Head Bolt 3/8-16 x 1	8	ASME SA193-B8, Class 1	928781
19	Bearing Retainer	1	Votator II	923214
			Extra Heavy Duty Votator II	118393
19B	Clamp Ring	1	Spider Head Only	LL117678
20	Shaft Nut Guard	1	Horizontal	923212
			W/ Shaft Heater (horz or vert)	929346
			Vertical	
21	Shaft Locknut	1	Votator II	119275A
			Extra Heavy Duty Votator II	118395
21A	Shaft Locknut Wrench	1	All	79-2
21B	Hex Head Cap Screw	1	Spider Head Only	718934
22	Ball Bearing	1	Votator II	923215
			Extra Heavy Duty Votator II	118392
22B	Sleeve Bearing	1	Spider Head Only	117679F
23	Hinged Sanitary Clamp	1	Votator II	0346223
			Extra Heavy Duty Votator II	0348223
24	Bearing Sleeve	1	Extra Heavy Duty Votator II	118394
24B	Shaft Sleeve	1	Sp	

Latch



ITEM #	PART DESCRIPTION	QTY	PART #
35	VII Locking Latch	1	923221
36	Washer Plain 3/8" 18-8 Narrow	8	43-30
37A	Wing Nut	1	
37B	Acorn Nut	1	711155
38	Spacer	3	2200321
39	Stud	1	2200277
40	Hexagon Head Shoulder Screw	1	925499
52	Spacer Washer	1	931315

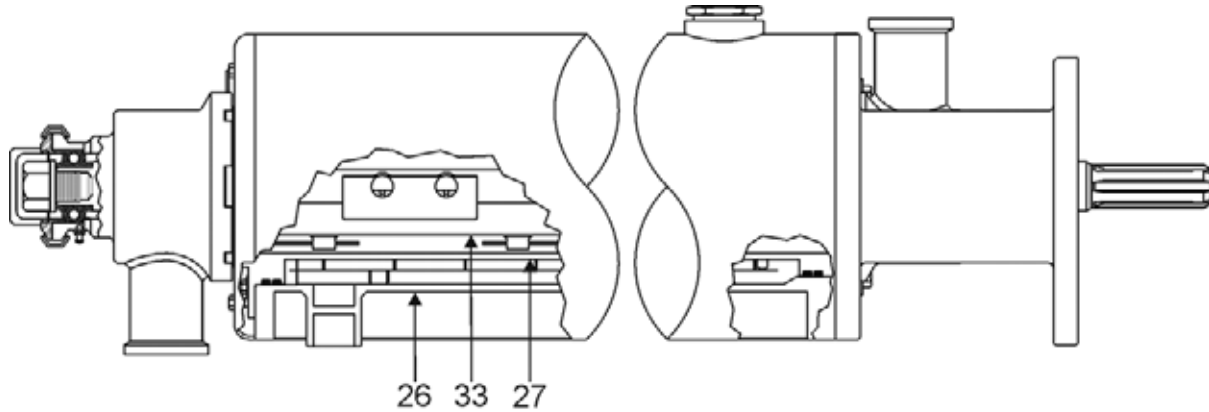
Product Heads

APPLICATION	DESCRIPTION	PART #
Opposite Drive End	Concentric 3" I-Line	923245
	Concentric 3" Flanged	118415
	Concentric/XHD Bearing 3" Flanged	120325
	Concentric/XHD Bearing 3" I-Line	119402
	Eccentric 3" I-Line	118337
	Eccentric 3" Flanged	118419
	Eccentric/Oval/XHD Bearing 3" Flanged	120326
	Eccentric/Oval/XHD Bearing 3" I-Line	118391
	Eccentric/Oval Spider Head	121314
	Concentric Spider Head	121359
Drive End	Concentric 3" I-Line	923255
	Concentric 3" Flanged	118414
	Eccentric/Oval 3" I-Line	118336
	Eccentric/Oval 3" Flanged	118418

! CAUTION: Product heads comply with the ASME pressure vessel code and must not be changed between units of the same design. Also, a concentric head is not interchangeable



Cylinder Assembly - Shaft



HE100-040

Table 6: Cylinder Assembly Item 33 (Shaft) - Part Numbers

SIZE	SEAL TYPE	SHAFT MODEL	PART #	SEAL TYPE	SHAFT MODEL	PART #
6 x 24	Single Mechanical	5-1/4" dia	118919	Double Mechanical	4-1/2" dia	936881
6 x 36	Single Mechanical	2-1/2" dia	935989	Double Mechanical	2-1/2" dia	NA
		4" dia	NA		4" dia	935518
		4-1/2" dia	936898		4-1/2" dia	935563
		5-1/4" dia	NA		5-1/4" dia	NA
		ECC	930524			
6 x 48	Single Mechanical	2-1/2" dia	935987	Double Mechanical	2-1/2" dia	NA
		4" dia	NA		4" dia	NA
		4-1/2" dia	936476		4-1/2" dia	936786
		5-1/4" dia	935921		5-1/4" dia	NA
		ECC 4" dia	936764		ECC 4" dia	936743
		EHD 4" dia	NA		EHD 4" dia	122335
6 x 72	Single Mechanical	2-1/2" dia	936763	Double Mechanical	2-1/2" dia	935679
		4" dia	929847		4" dia	934809
		4-1/2" dia	935650		4-1/2" dia	935423
		5-1/4" dia	929872		5-1/4" dia	936147
		ECC 4" dia	936761		ECC 4" dia	118955
		EHD 4" dia	NA		EHD 4" dia	123534
6 x 84	Single Mechanical	2-1/2" dia	NA	Double Mechanical	2-1/2" dia	NA
		4" dia	NA		4" dia	NA
		4-1/2" dia	122304		4-1/2" dia	121858

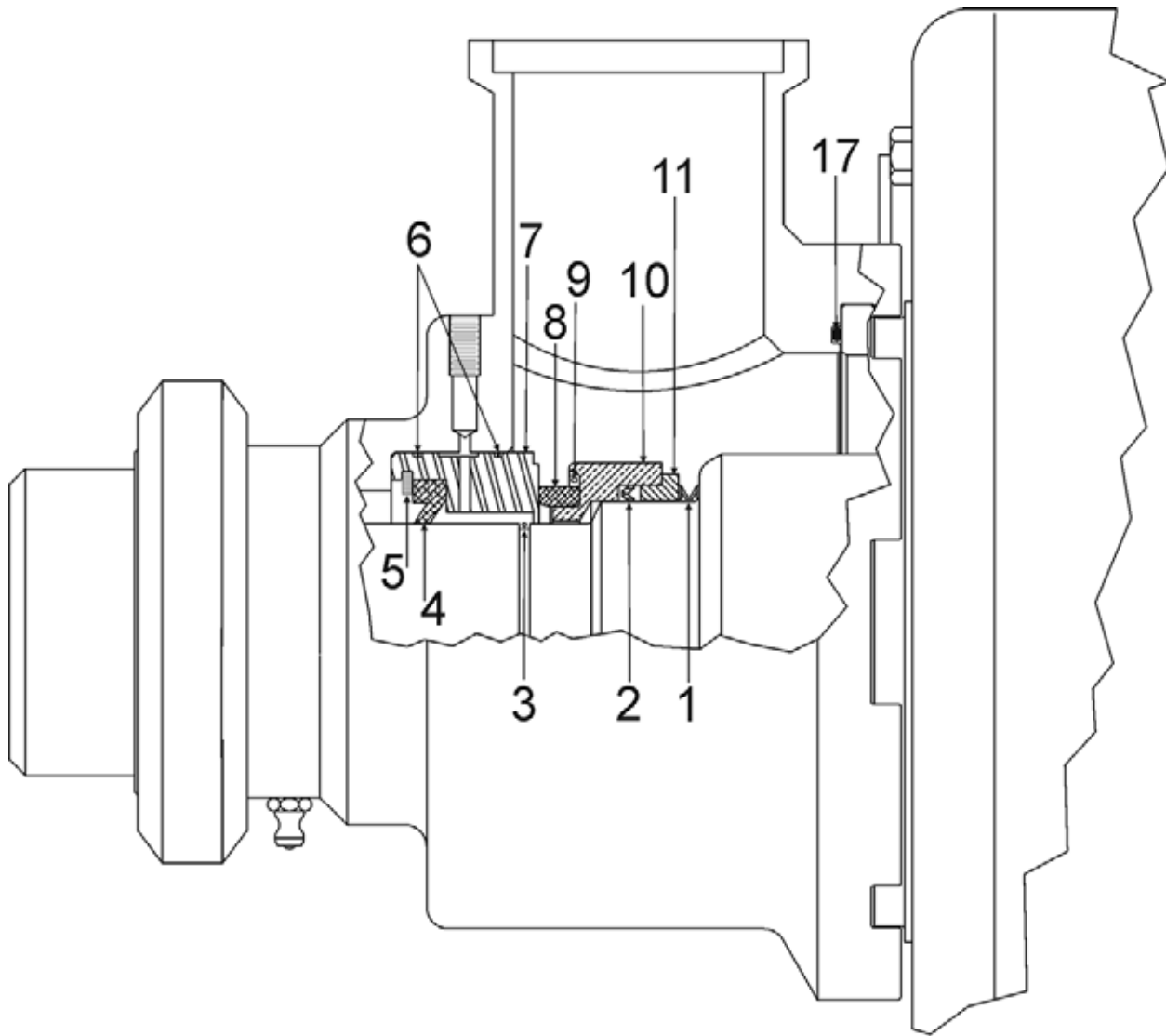
Description	Size	Part #
Shaft Skid (horizontal Vot. only)	6 x 24	
	6 x 36	934744
	6 x 48	
	6 x 72	934394
	6 x 84	

Cylinder Assembly - Removable Tube

Table 7: Cylinder Assembly Item 27 (Removable Tube) - Part Numbers

SIZE	APPLICATION	CODE TYPE	DESCRIPTION	PART #
6 x 24	BWS	UM	316 SS TW/WO RINGS	936879
		UM	316 SS TW/W RINGS	118829
		UM	NI/CR	118909
6 x 36	BWS	UM	NI/CR	930693
		U	316 SS TW/WO RINGS	930078
		UM	ECC NI/CR	934767
	VAPOR	UM	NI/CR (600 PSI)	936784
		U	NI/CR (800 PSI)	934076
		UM	316 SS TW/W RINGS	930077
		UM	ECC NI/CR	NA
6 x 48	BWS	UM	NI/CR (600 PSI)	935920
		UM	316 SS TW/WO RINGS	934342
		UM	316 SS CR/WO RINGS	936802
		UM	ECC NI/CR	936730
	VAPOR	UM	NI/CR	936583
		UM	316 SS TW/W RINGS	930582
		UM	ECC NI/CR	NA
6 X 72	BWS	U	NI/CR (600 PSI)	929756
		UM	316 SS TW/WO RINGS	929263
		UM	316 SS TW/CR/WO RINGS	930735
		UM	ECC NI/CR	935827
		UM	ECC TW/CR/WO RINGS	123513
		UM	OVAL NI/CR (400 PSI & 150 PSI)	120327
		UM	OVAL NI/CR (400 PSI & 60 PSI)	123535
		U	NI/CR (800 PSI)	925501
		U	316 SS (800 PSI)	935644
		VAPOR	U	NI/CR (600 PSI)
	UM		316 SS TW/W RINGS	928761
	UM		ECC NI/CR (600 PSI)	929917
	U		316 SS TW/CR/W RINGS	934824
	UM		OVAL NI/CR (100 PSI)	119565
	U		NI/CR (800 PSI)	925507
	U		316 SS (800 PSI)	928641
	6 X 84	BWS	UM	316 SS TW/WO RINGS
UM			316 SS TW/WO RINGS	122018
VAPOR		UM	316 SS TW/WO RINGS	122018
		UM	316 SS TW/WO RINGS	122018
		UM	316 SS TW/WO RINGS	122018

Single Mechanical Seal



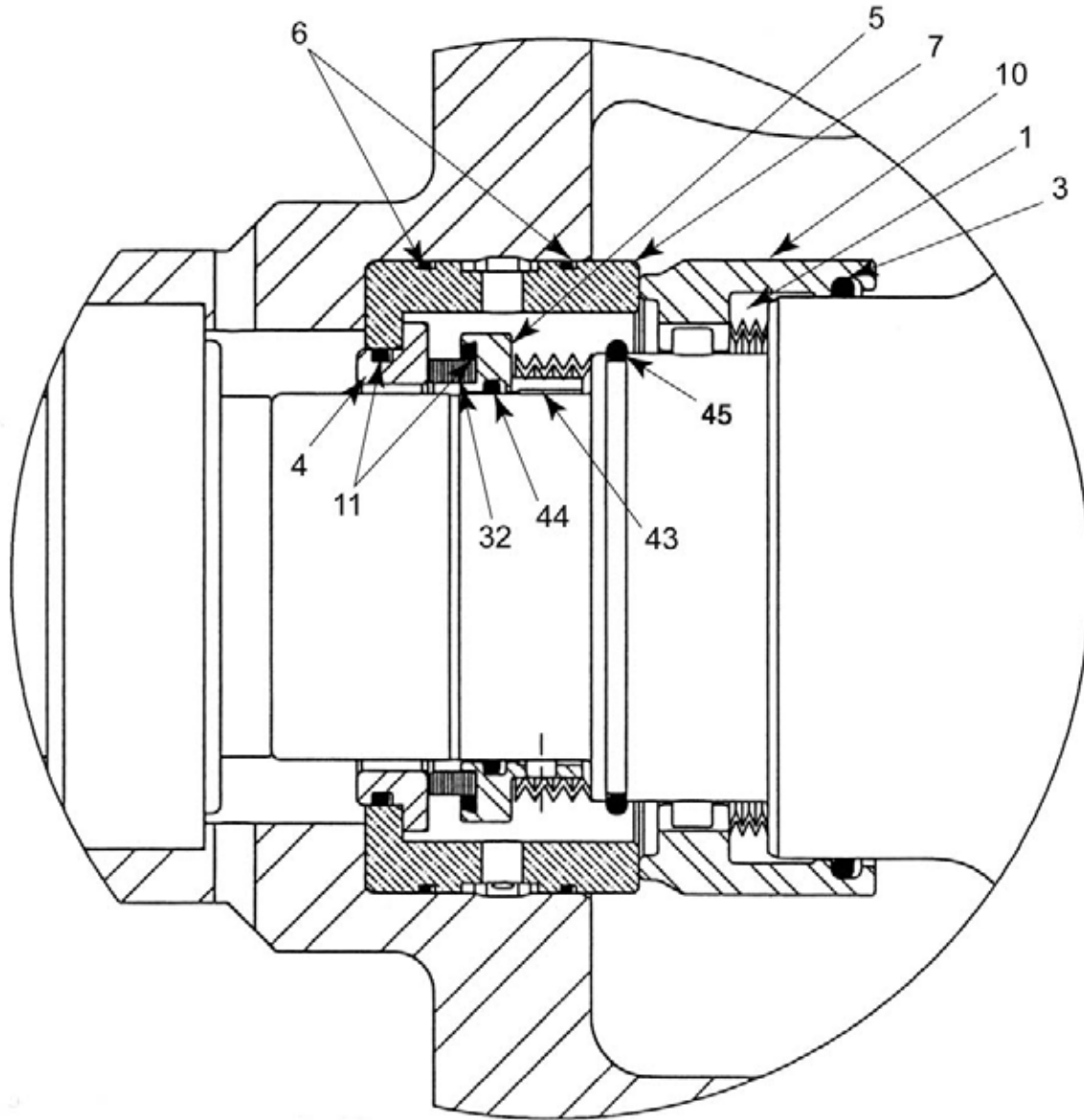
HE100-042

Single Mechanical Seal

ITEM #	DESCRIPTION	QTY per seal	MATERIAL OPTION	PART #
1	Wavy Washer	1	Standard	922313
			Particulate Option	LL19625A
2	Seal Body U-cup	1	Buna	700014A05
			Fluoroelastomer	700014A08
			EPDM	700014A03
3	Seal Keeper O-ring	1	Buna	N75226
			Fluoroelastomer	V70226-680
			EPDM	E70226
4	Flushing Lip Seal	1	All	925472
5	Retaining Ring	1	All	930685
6	Seal Head Insert O-ring	2	Buna	N75044
			Fluoroelastomer	V70044-680
			EPDM	E75044
7	Seal Head Insert	1	Chrome Oxide/316 SS	923210
			Ceramic	928508
8	Seal Body Insert	1	Carbon	110892A4
			Siliconized Graphite	929270
			Ceramic	110892C1
			Pin Option (Ceramic)	934610
9	Seal Body Insert O-ring	1	Buna	N75235
			Fluoroelastomer	V70235-680
			EPDM	E70235
10	Seal Body	1	Standard	110893A
			Pin Option	927352
11	Seal Back Up Ring	1	Standard	110203C1
17	Product Head O-ring	2 per cyl	Buna	N70259
			Fluoroelastomer	V70259-680
			EPDM	E70259

NOTE: Use ODE Head Installation Tool 121191 to protect head insert when installing or removing the opposite drive and product head.

Double Mechanical Seal



One Piece Single & Double Mechanical Seal

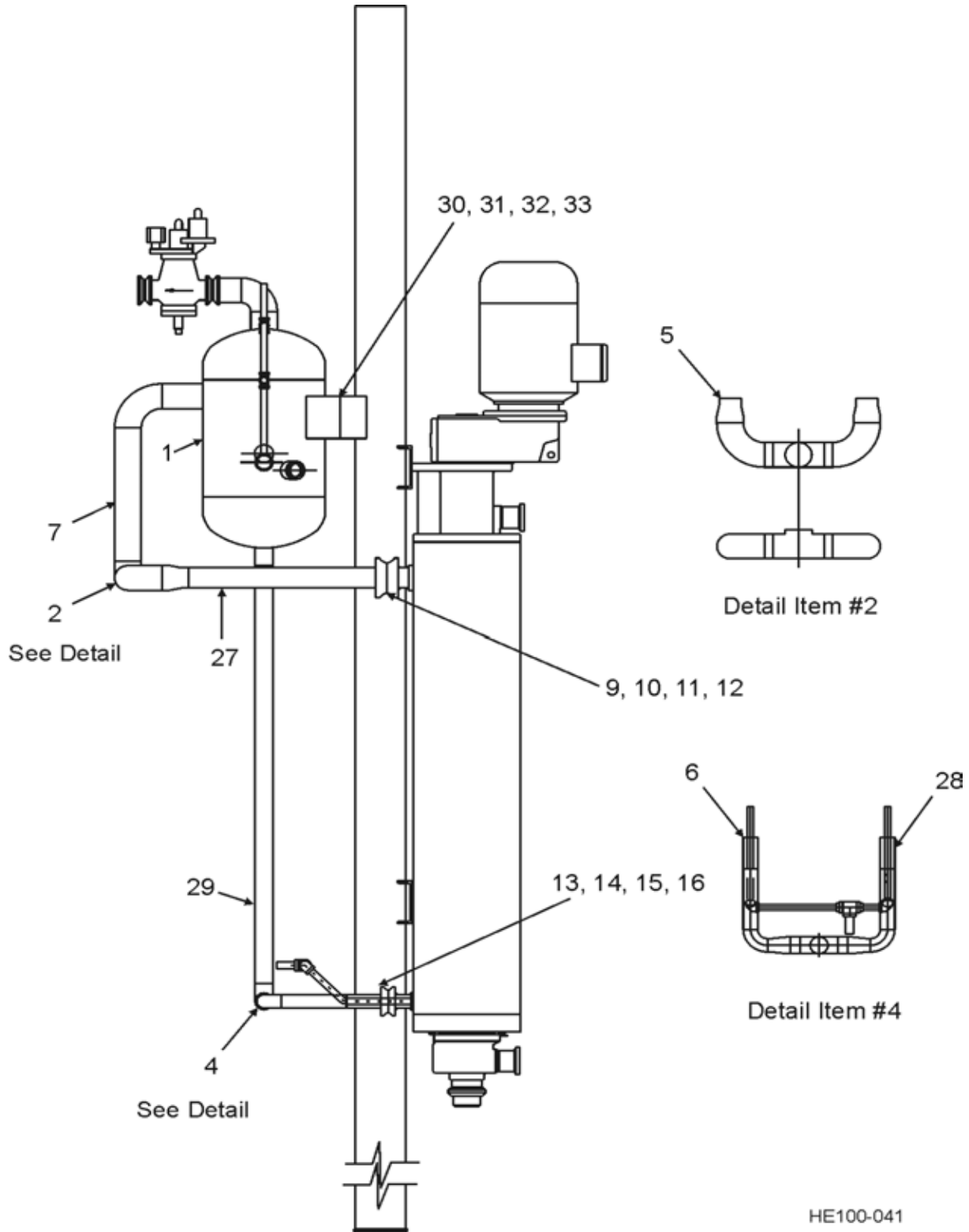
ITEM #	DESCRIPTION	QTY per seal	MATERIAL OPTION	PART #
1	Wavy Washer (Primary)	1	Standard	922313
3	Seal Body O-ring (Primary)		Buna	N75237
		1	Fluoroelastomer	V70237-680
			EPDM	E70237
4	Seal Ring (Secondary), if required	1	All	934871
5	Seal Body (Secondary), if required	1	All	932357
6	Seal Head Insert O-Ring (Primary)		Buna	N75044
		2	Fluoroelastomer	V70044-680
			EPDM	E75044
7	Seal Head Insert (Primary)	1	Ceramic	934873
10	One Piece Seal Body (Primary)	1	Chrome Oxide/316SS	122411
11	Seal Ring/Body O-ring (Secondary)		Buna	N70147
		2	EPDM	E75147
17	Product Head O-ring		Buna	N70259
		2 per cyl	Fluoroelastomer	V70259-680
			EPDM	E70259
32	Seal Body Insert (Secondary)	1	All	934083
43	Wavy Washer (Secondary)	1	All	932362
44	Seal Body O-ring (I.D. Secondary)		Buna	N70140
		1	EPDM	E75140
45	Seal Keeper O-ring (Primary)		Buna	N70230
		1	EPDM	E70230

NOTE: Items 2, 8, and 9 are not required with one-piece seal body. Consult Customer Service for these parts.

NOTE: Items 4, 5, 11, 32, 43, and 44 are only required when the seal must be flushed.

NOTE: Use ODE Head Installation Tool 121191 to protect head insert when installing or removing the opposite drive and product head.

Vertical Refrigeration Piping

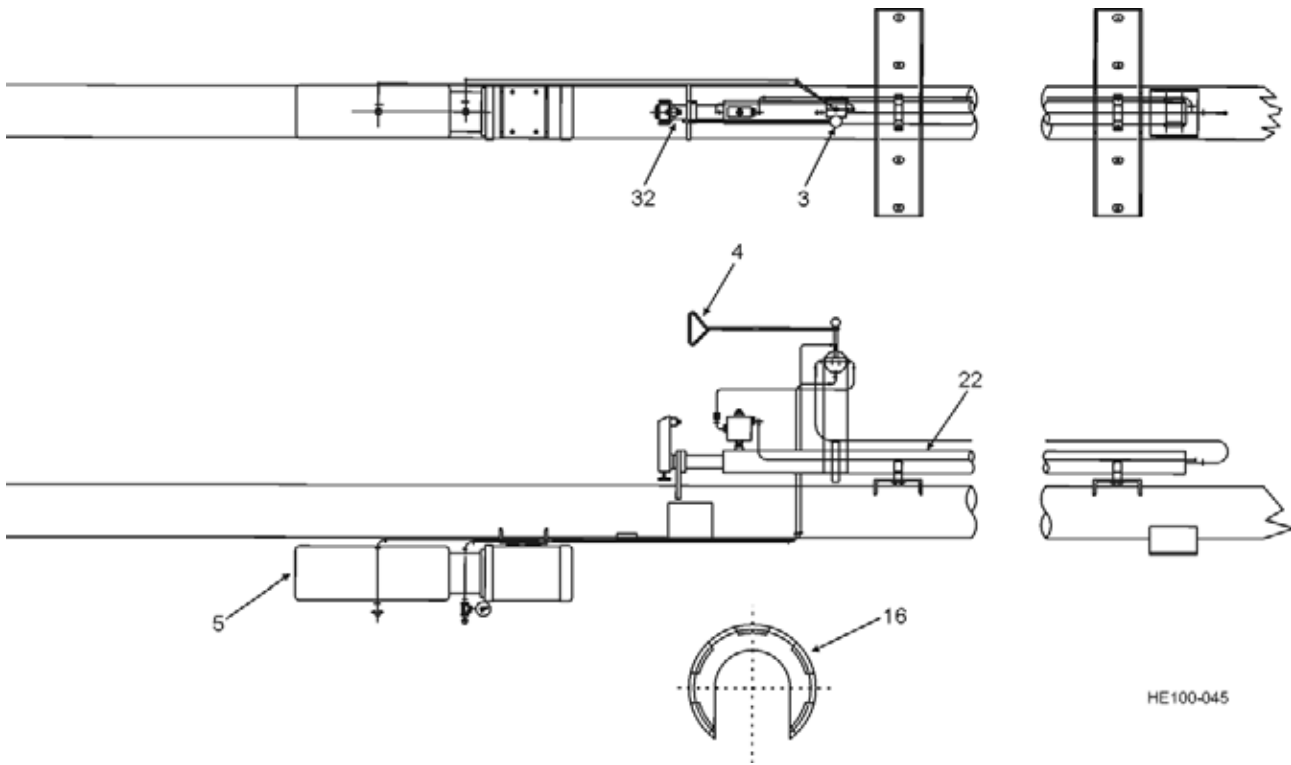


HE100-041

Vertical Refrigeration Piping

ITEM #	DESCRIPTION	QTY per Acc	NOTES	PART #
1	Accumulator	1	16" Diameter	929516
2	Refrigeration Piping	1	Upper Accumulator Piping	930348
4	Refrigeration Piping	1	Lower Accumulator Piping	930349
5	Weld Cap	AR	One Cylinder Only	901386
6	Weld Cap	AR	One Cylinder Only	901387
7	Refrigeration Piping	1	Upper Accumulator Piping	930347
9	S W Refrigeration Flange	AR	2-1/2 Male	700017A62
10	Refrigeration Flange Gasket	AR	2-1/2	710260
11	Square Head Machine Bolt	4 per flg	3/4 - 10 x 3-1/2 Lg	723931
12	Hex Nut	4 per flg	3/4 - 10	710112
13	S W Refrigeration Flange	AR	1-1/2 Female	919616
14	Refrigeration Flange Gasket	AR	1-1/2	917488
15	Square Head Machine Bolt	4 per flg	5/8 - 11 x 3 Lg	301535
16	Hex Nut	4 per flg	5/8 - 11	710011
27	Carbon Steel Pipe	AR	2-1/2 Sch 40	006396
28	Carbon Steel Pipe	AR	1-1/2 Sch 80	003028
29	Carbon Steel Pipe	AR	2 Sch 40	001149
30	Hex Head Cap Screw	2	1/2 - 13 x 1 Lg	712482
31	Flat Washer	2	1/2	710292
32	Spring Lockwasher	2	1/2	712553
33	Hex Nut	2	1/2 - 13	711662

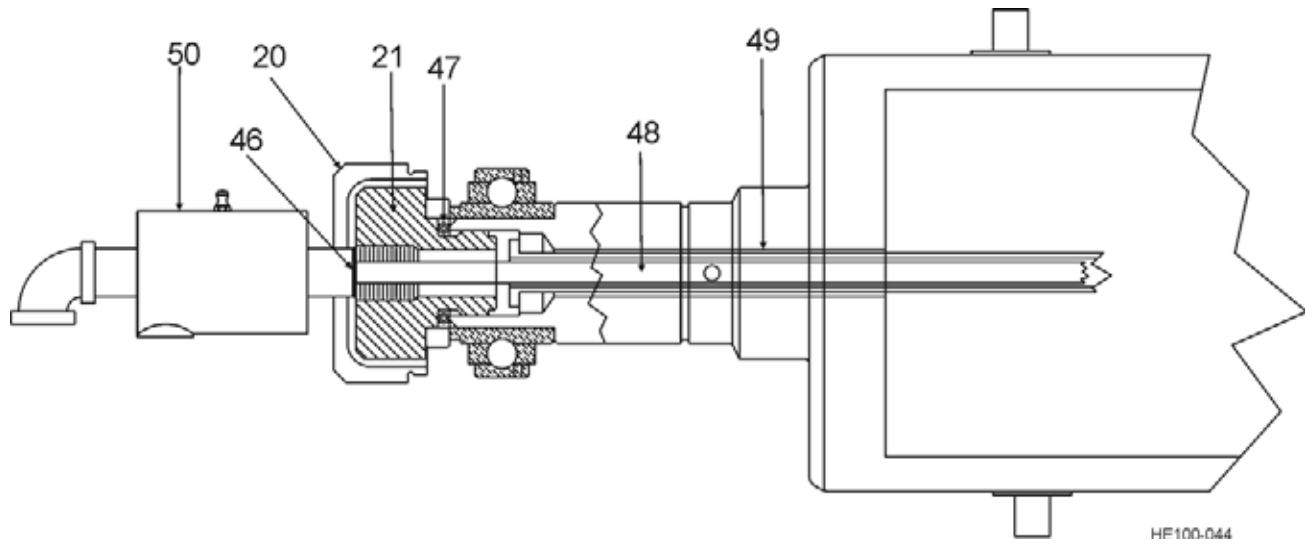
Vertical Frame/Hydraulics



ITEM #	DESCRIPTION	QTY per pole	MODEL	PART #
3	Hydraulic Valve	1	All	928736
4	Push - Pull Handle	1	All	929343
5	Hydraulic Power Assembly	1	3/4 HP CLR	928737
	Pump/Adapter Kit Only	1		928737-1
16	Shaft Stop Clamp		4" Shaft	935529
		1	4-1/2" Shaft	931279
			4-11/16" Shaft	
			5-1/4" Shaft	NA
22	Hydraulic Cylinder		6 x 24 Cylinder	936884
			6 x 36 Cylinder	930012
		1	6 x 48 Cylinder	930594
			6 x 72 Cylinder	928735
			6 x 84 Cylinder	NA
32	Pivot Pin	1		



Shaft Heater (Optional)



ITEM #	DESCRIPTION	QTY	PART #
20	Shaft Nut Guard	1	929346
21	Shaft Locknut	1	119275A
46	Gasket	1	117720
47	O-ring	1	N70222-674
48	Shaft Heater Pipe	1	112278E
49	Heater Pipe Support	1	929942
50	Rotary Joint	1	700043D61

Votator II Recommended Spare Parts

SINGLE MECHANICAL SEAL	6 x 84 QTY	6 x 72 QTY	6 x 48 QTY	6 x 36 QTY	6 x 24 QTY
Blades (6")	28	24	16	12	8
Jacket O-ring (Drive End)	2	2	2	2	2
Jacket O-ring (Opposite Drive End)	2	2	2	2	2
Ball Bearing	1	1	1	1	1
Wavy Washer	2	2	2	2	2
Seal Body U-cup	2	2	2	2	2
Seal Keeper O-ring	2	2	2	2	2
Flushing Lip Seal	2	2	2	2	2
Seal Head Insert O-ring	4	4	4	4	4
Seal Head Insert	2	2	2	2	2
Seal Body Insert	2	2	2	2	2
Seal Body Insert O-ring	2	2	2	2	2
Product Head O-ring	2	2	2	2	2

ONE-PIECE AND DOUBLE MECHANICAL SEAL	6 x 84 QTY	6 x 72 QTY	6 x 48 QTY	6 x 36 QTY	6 x 24 QTY
Blades (6")	28	24	16	12	8
Jacket O-ring (Drive End)	2	2	2	2	2
Jacket O-ring (Opposite Drive End)	2	2	2	2	2
Ball Bearing	1	1	1	1	1
Wavy Washer (Primary)	2	2	2	2	2
Seal Body Insert O-ring (I.D. Primary) ¹	2	2	2	2	2
Seal Body O-ring (Primary)	2	2	2	2	2
Seal Ring (Secondary)	2	2	2	2	2
Seal Head Insert O-ring (Primary)	4	4	4	4	4
Seal Head Insert (Primary)	2	2	2	2	2
Seal Body Insert (Primary) ¹	2	2	2	2	2
Seal Body Insert O-ring (O.D. Primary) ¹	2	2	2	2	2
Seal Ring/Body O-ring (Secondary)	4	4	4	4	4
Product Head O-ring	2	2	2	2	2
Seal Body Insert (Secondary)	2	2	2	2	2
Wavy Washer (Secondary)	2	2	2	2	2
Seal Body O-ring (I.D. Secondary)	2	2	2	2	2
Seal Keeper O-ring (Primary)	2	2	2	2	2
One-Piece seal Body	2	2	2	2	2

¹ Double Mechanical Seals furnished in 2004 and earlier