



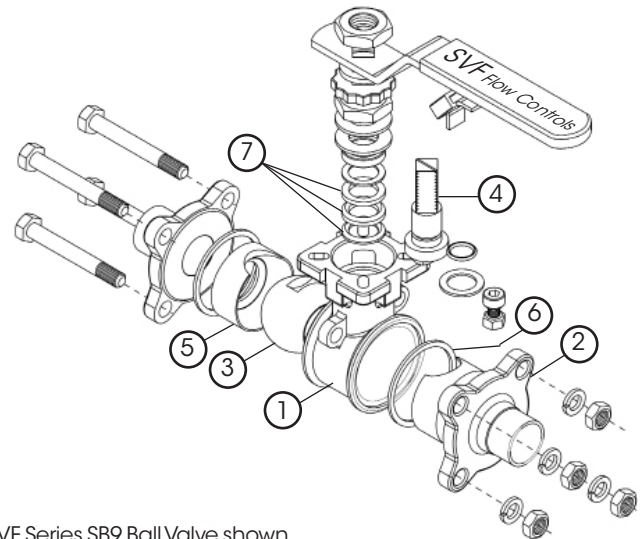
CleanTECH Series SB9 Ball Valve

Three-Piece Sanitary Ball Valve, Sizes 1/2" ~ 4"

The SVF Series SB9 Sanitary Ball Valve is the newest member to our CLEANTECH™ family of high purity products. The SB9 is an ideal, competitively priced solution for manual and automated ball valve requirements in semiconductor, food & beverage, dairy, flavorings, cosmetic and fragrance applications.

SERIES SB9 DESIGN FEATURES

- Three piece investment cast stainless steel
- TFM1600™ seat and body seal material complies with FDA CFR Title 21 Part 177.1550
- Locking device helps prevent accidental operation
- "Tube-ID" flow path for drainability
- Three-piece "swing out" design offers easy access for in-line maintenance
- Built-In ISO 5211 direct mounting pad for easy actuation
- Interior finish - 32Ra Standard (20Ra available)
- Silicone Free
- Blowout proof stem adds safety & reliability
- All materials comply with applicable ASTM material specifications, FDA and USDA
- End connections include Extended Tube O.D. (ETO ends with Boss for Purge Ports)
- Standard Anti-Static Device
- Optional TFM1600™ cavity filled seats available



SVF Series SB9 Ball Valve shown with cavity filled seats

MATERIALS OF CONSTRUCTION

ITEM	DESCRIPTION	MATERIALS SPECIFICATIONS (Additional options available)
1	Body	316 Stainless Steel (ASTM A351- CF8M)
2	End Connector	316L Stainless Steel (ASTM A351- CF3M)
3	Ball	316 Stainless Steel (ASTM A351- CF8M)
4	Stem	SUS316
5	Seat	TFM1600™ Cavity Filled optional
6	Body Seal	TFM1600™
7	Stem Seal	TFM1600™

SPECIFICATION STANDARDS OF COMPLIANCE

SVF Series SB9 Ball Valves are available in designs that meet the following Industry Standards:

- ISO
- MSS
- ANSI
- ASME
- NACE
- ASTM

What do you need today?™





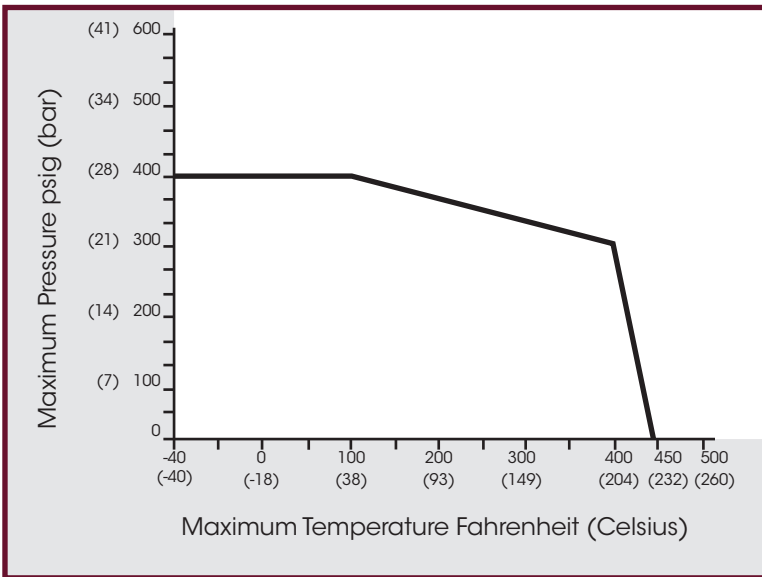
CleanTECH Series SB9 Ball Valve

Three-Piece Sanitary Ball Valve, Sizes 1/2" ~ 4"

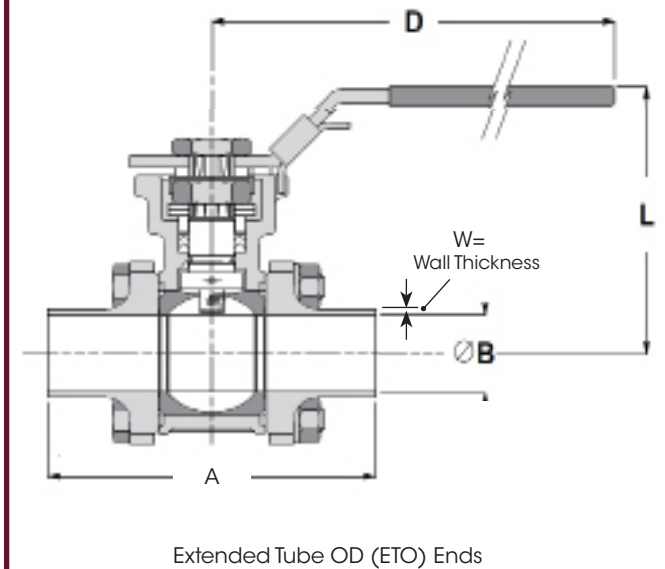
DIMENSIONS, WEIGHT, Cv, TORQUE

Size	A		B		D		L		W		Weight		Cv	Torque*	
	in.	mm	in.	mm	in.	mm	in.	mm	in.	mm	lbs	Kg		in-lbf	Nm
1/2"	5.31	135	0.37	10	5.71	145	2.72	69	0.065	1.7	1	0.7	13	44	5
3/4"	5.59	142	0.62	16	5.71	145	2.99	76	0.065	1.7	2	0.9	18	53	6
1"	6.02	153	0.87	22	6.89	175	3.54	90	0.065	1.7	3	1.5	48	93	11
1-1/2"	7.05	179	1.37	35	7.68	195	4.06	103	0.065	1.7	5	2.2	120	195	22
2"	7.76	197	1.87	48	7.68	195	4.29	109	0.065	1.7	7	3.3	190	283	32
2-1/2"	8.90	226	2.37	60	10.43	265	5.79	147	0.065	1.7	18	8.4	450	434	49
3"	9.49	241	2.87	73	10.43	265	6.06	154	0.065	1.7	20	9.2	600	717	81
4"	10.94	278	3.84	98	15.75	400	8.07	205	0.083	2.1	30	13.5	1100	1080	122

SB9 - PRESSURE/TEMPERATURE CHART



* At full differential pressure for clean fluids with TFM1600™ Seats



HOW TO ORDER SERIES SB9 BALL VALVES

CleanTECH

Please refer to the next page for our comprehensive How to Order Guide for Series SB9 Ball Valves.



CleanTECH Series SB9 Ball Valve

Three-Piece Sanitary Ball Valve, Sizes 1/2" ~ 4"

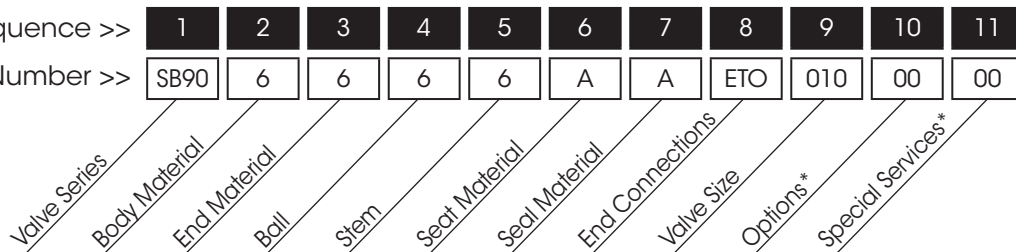
Ordering Code Sequence (Columns 1 thru 11)

1	2	3	4	5	6
SERIES	BODY	ENDS	BALL	STEM	SEAT MATERIAL
SB90 =	6 = 316 Stainless Steel ASTM A351- CF8M	6 = 316L Stainless Steel ASTM A351- CF3M	6 = 316 Stainless Steel ASTM A351 - CF8M	6 = 316 Stainless Steel SUS 316	A = TFM1600™ Q = TFM1600™ Cavity Filled
7	8	9	10	11	
BODY SEAL	END CONNECTIONS	VALVE SIZE	OPTIONS*	SPECIAL SERVICES*	
A = TFM1600™	ETO = Extended Tube-OD Ends	005 = 1/2" 007 = 3/4" 010 = 1" 015 = 1-1/2" 020 = 2" 025 = 2-1/2" 030 = 3" 040 = 4"	00 = None	00 = None XC = Oxygen Cleaned EP = Electropolished AD = Oxygen Cleaned & Electropolished	

Order Example: (SB906666AAETO0100000) The Part Number will contain 20 digits.

Ordering Code Sequence >>

Sample Part Number >>



Manual Valves are supplied with lockable lever handles.

* Not all Options or Special Services available on all ball valves. Consult SVF for additional information.