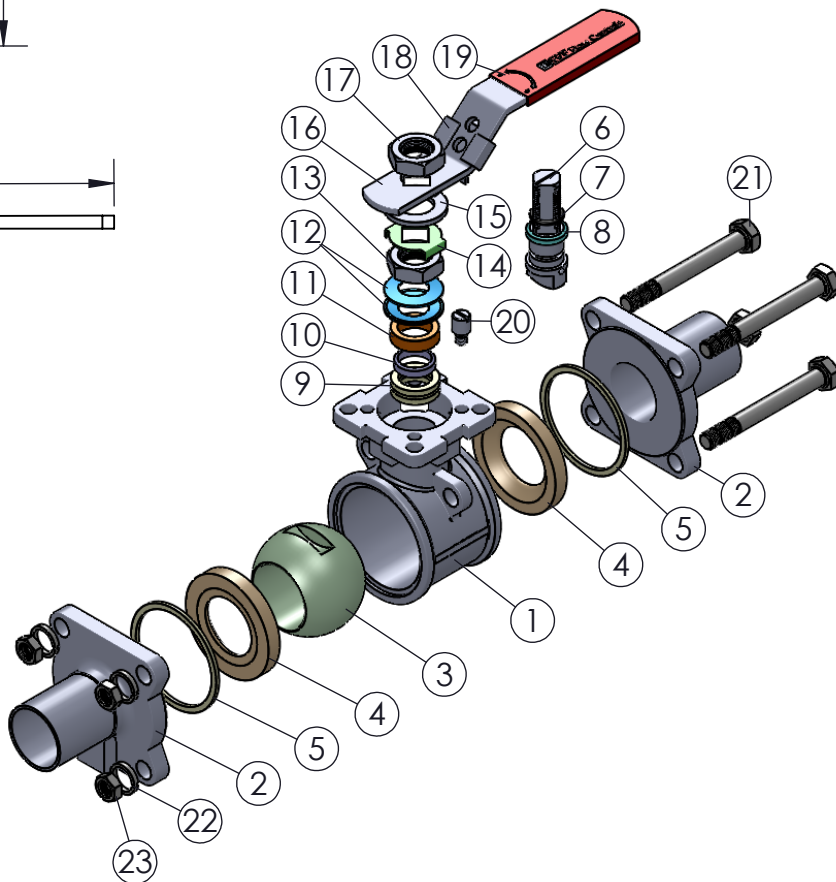
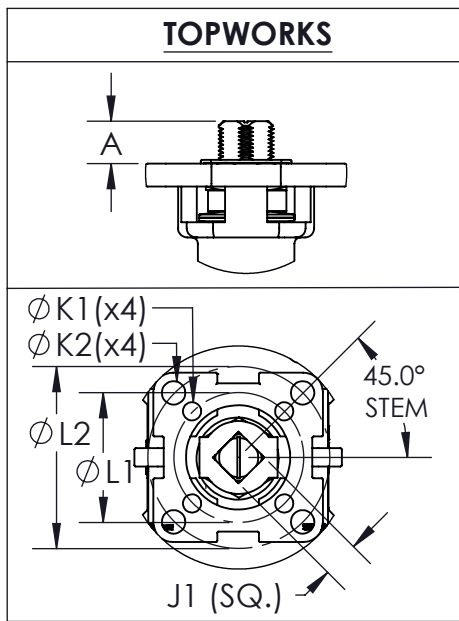
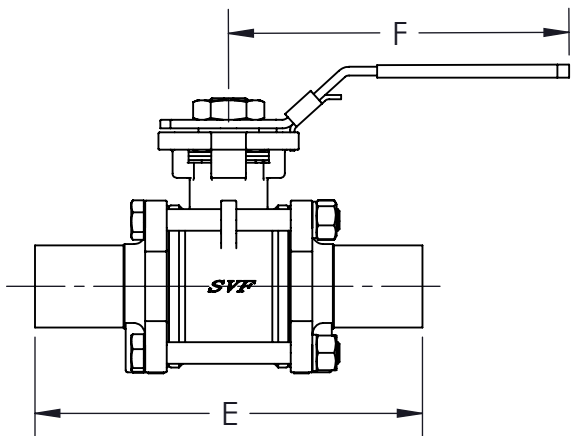
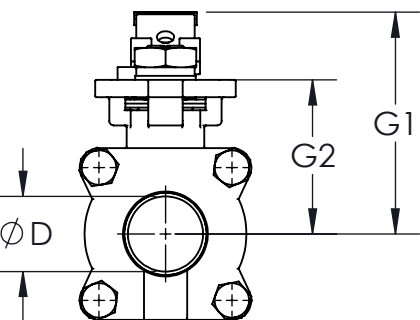
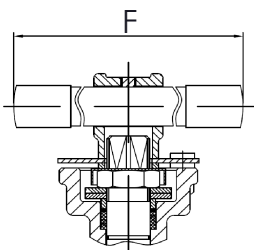


* AT FULL DIFFERENTIAL PRESSURE FOR CLEAN FLUIDS WITH TFM1600 SEATS

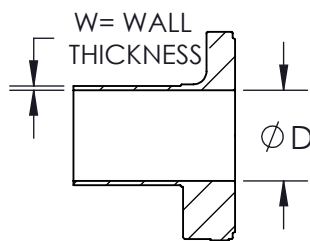
SIZE	A	øD	E	F	G1	G2	J1	øK1	øK2	øL1	øL2	W	ISO 5211	WEIGHT (lbs)	Cv	TORQUE* (in-lbf)	BODY BOLT SIZE	BODY NUT SIZE
1/2"	0.35 (9)	0.37 (10)	5.31 (135)	5.71 (145)	2.72 (69)	1.65(42)	0.35 (9)	0.24 (6)	0.24 (6)	1.42 (36)	1.65 (42)	0.065	F03-F04	1	13	44	M6 - 1.0 X 50	M6-1.0
3/4"	0.35 (9)	0.62 (16)	5.59 (142)	5.71 (145)	2.99 (76)	1.93 (49)	0.35 (9)	0.24 (6)	0.28 (7)	1.42 (36)	1.97 (50)	0.065	F03-F05	2	18	53	M8 - 1.25 X 55	M8-1.25
1"	0.43 (11)	0.87 (22)	6.02 (153)	6.89 (175)	3.54 (90)	2.28 (58)	0.43 (11)	0.24 (6)	0.28 (7)	1.65 (42)	1.97 (50)	0.065	F04-F05	3	48	93	M8 - 1.25 X 65	M8-1.25
1-1/2"	0.55 (14)	1.37 (35)	7.05 (179)	7.68 (195)	4.06 (103)	2.80 (71)	0.55 (14)	0.28 (7)	0.35 (9)	1.97 (50)	2.76 (70)	0.065	F05-F07	5	165	195	M10 - 1.5 X 90	M10-1.5
2"	0.55 (14)	1.87 (48)	7.76 (197)	7.68 (195)	4.29 (109)	3.07 (78)	0.55 (14)	0.28 (7)	0.35 (9)	1.97 (50)	2.76 (70)	0.065	F05-F07	7	207	283	M10 - 1.5 X 105	M10-1.5
2-1/2"	0.67 (17)	2.37 (60)	8.90 (226)	10.43 (265)	5.79 (147)	3.94 (100)	0.67 (17)	0.35 (9)	0.43 (11)	2.76 (70)	4.02 (102)	0.065	F07-F10	18	450	434	M14 - 2.0 X 145	M14-2.0
3"	0.67 (17)	2.87 (73)	9.49 (241)	10.43 (265)	6.06 (154)	4.29 (109)	0.67 (17)	0.35 (9)	0.43 (11)	2.76 (70)	4.02 (102)	0.065	F07-F10	20	780	717	M14 - 2.0 X 160	M14-2.0
4"	0.87 (22)	3.84 (98)	10.94 (278)	15.75 (400)	8.07 (205)	5.51 (140)	0.87 (22)	N/A	0.43 (11)	N/A	4.02 (102)	0.083	F10	30	1360	1080	M16 - 2.0 X 200	M16-2.0



4" VALVE WITH PIPE HANDLE:



END CONFIGURATION:



- PRODUCT INFORMATION:**
1. BLOW-OUT PROOF STEM
 2. LOCKING DEVICE
 3. ANTI-STATIC DEVICE
 4. LIVE LOADING STEM SEAL
 5. INTERNAL SURFACE FINISH OF 20 Ra
 6. COMPLETE VALVE AUTOMATION

- APPLICABLE STANDARDS:**
1. ASME B16.34: DESIGN
 2. ISO 5211: MOUNTING
 3. API 598: INSPECTION AND TESTING
 4. CGA G-4.1: CLEANING FOR OXYGEN SERVICE
 5. USP CLASS VI: CONFIRMATION OF COMPLIANCE (TFM1600 MATERIAL)

ITEM NO.	DESCRIPTION	MATERIALS	QTY.	
1	BODY	A351-CF8M	1	
2	END	A351-CF3M	2	
3	BALL	A351-CF8M	1	
4	SEAT	TFM1600	CAVITY-FILLED TFM1600	2
5	BODY SEAL	TFM1600	2	
6	STEM	A351-CF8M	1	
7	STEM O-RING	VITON	1	
8	STEM THRUST WASHER	TFM1600	1	
9	STEM SEAL	TFM1600	3	
10	BUSHING	50%SS + 50%PTFE	1	
11	GLAND FOLLOWER	304 STAINLESS STEEL	1	
12	BELLEVILLE WASHER	301 STAINLESS STEEL	2	
13	JAM NUT	304 STAINLESS STEEL	1	
14	LOCK TAB	304 STAINLESS STEEL	1	
15	SPACER	304 STAINLESS STEEL	1	
16	LEVER HANDLE	304 STAINLESS STEEL	1	
17	HANDLE NUT	304 STAINLESS STEEL	1	
18	LOCKING DEVICE	304 STAINLESS STEEL	1	
19	HANDLE SLEEVE	VINYL	1	
20	STOP PIN	304 STAINLESS STEEL	1	
21	BODY BOLT	304 STAINLESS STEEL	4	
22	SPRING WASHER	304 STAINLESS STEEL	4	
23	BODY NUT	304 STAINLESS STEEL	4	

DRAWN BY E.P. DATE 06/30/2017
 CHECKED BY E.G. DATE 03/22/2018
 APPROVED BY J.S. DATE 03/22/2018
(FOR REF. ONLY IF NOT APPROVED)

THE INFORMATION CONTAINED IN THIS DRAWING IS THE SOLE PROPERTY OF SVF FLOW CONTROLS, INC. ANY REPRODUCTION IN PART OR IN WHOLE WITHOUT THE WRITTEN CONSENT OF SVF FLOW CONTROLS, INC. IS PROHIBITED.

PROJECTION THIRD ANGLE

SVF Flow Controls
 5595 Fresca Drive • La Palma, CA 90623 • 1.800.783.7836
 www.SVF.net • Sales@SVF.net

DESCRIPTION:
 1/2" - 4" SB9 3-PIECE SANITARY BALL VALVE, EXTENDED TUBE OD ENDS

UNITS: INCH (MILLIMETERS) DATE: 03/22/2018 REV: D