



CleanTECH Series SB6 Ball Valve

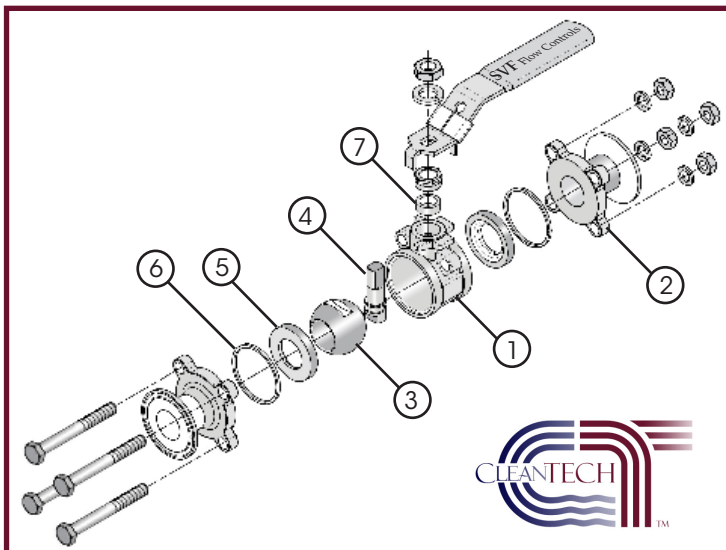
Three-Piece, High Purity Clamp End Ball Valve

Sizes 1/2" ~ 4"

The SVF Series SB6 Ball Valve is part of our family of CleanTECH[®] products, and is designed for applications throughout the Food & Beverage, Cosmetic and Fragrance industries.

SERIES SB6 DESIGN FEATURES

- ≡ Three-piece investment cast stainless steel
- ≡ TFM1600™ seat material and PTFE body seal material complies with FDA CFR Title 21 Part 177.1550
- ≡ Clamp tube ends for easy valve removal
- ≡ Three-piece "swing out" design offers easy access for in-line maintenance
- ≡ Blowout proof stem adds safety & reliability
- ≡ "Tube-ID" flow path for drainability
- ≡ Locking Device helps prevent accidental operation
- ≡ All materials comply with applicable ASTM material specifications, FDA and USDA requirements
- ≡ Silicone Free
- ≡ Available with cavity filled seats (SBC6)



MATERIALS OF CONSTRUCTION

| ITEM | DESCRIPTION | MATERIALS SPECIFICATIONS (Additional options available) |
|------|---------------|--|
| 1 | Body | 316 Stainless Steel (ASTM A351 CF8M) |
| 2 | End Connector | 316 Stainless Steel (ASTM A351 CF8M) |
| 3 | Ball | 316 Stainless Steel |
| 4 | Stem | 316 Stainless Steel |
| 5 | Seat | TFM1600™ |
| 6 | Body Seal | PTFE |
| 7 | Stem Seal | PTFE |

SPECIFICATION STANDARDS OF COMPLIANCE

Series SB6 valves are designed to comply with the following industry standards:

- ASME/BPE for pharmaceutical equipment, surface finish, "Tube-ID" flow path and materials
- All materials comply with ASTM and FDA guidelines
- TFM1600™ seat material and PTFE body seal material complies with FDA CFR Title 21 Part 177.1550

What do you need today?™



CleanTECH Series SB6 Ball Valve

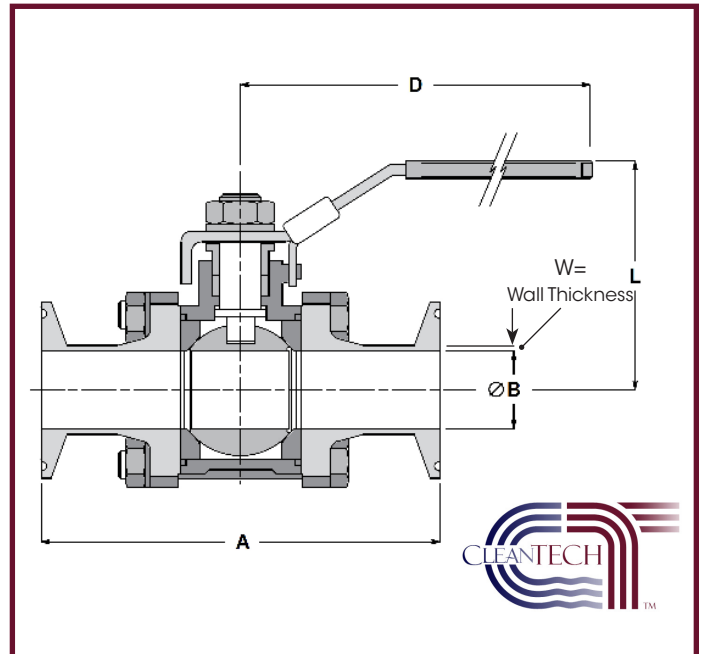
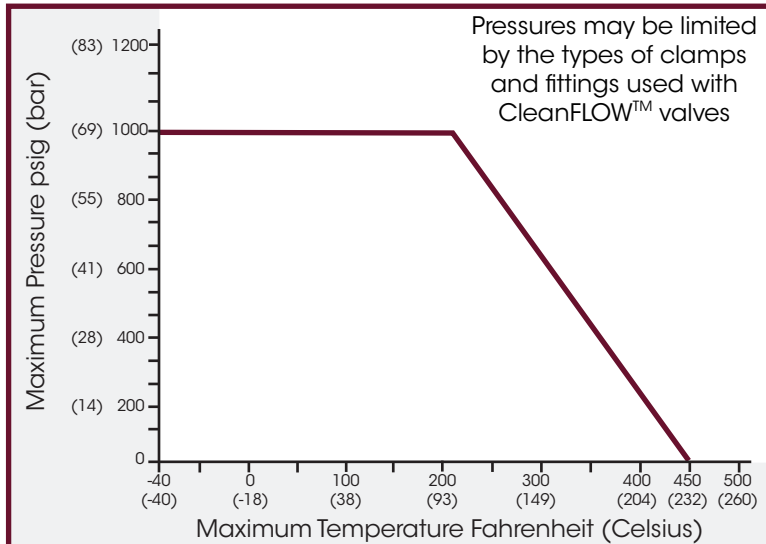
Three-Piece, High Purity Clamp End Ball Valve

Sizes 1/2" ~ 4"

DIMENSIONS, WEIGHT, Cv, TORQUE

| Size | A | | B | | D | | L | | W | | Weight | | Cv |
|--------|------|-----|------|----|-----|-----|-----|-----|-------|-----|--------|------|------|
| | in. | mm | in. | mm | in. | mm | in. | mm | in. | mm | lbs | kg | |
| 1/2" | 3.50 | 89 | 0.37 | 9 | 4 | 104 | 1.9 | 48 | 0.065 | 1.7 | 1 | 0.5 | 8 |
| 3/4" | 3.99 | 101 | 0.62 | 16 | 5 | 124 | 2.1 | 53 | 0.065 | 1.7 | 1.2 | 0.5 | 29 |
| 1" | 4.50 | 114 | 0.87 | 22 | 6 | 145 | 2.5 | 63 | 0.065 | 1.7 | 2.3 | 1.0 | 66 |
| 1-1/2" | 5.50 | 140 | 1.37 | 35 | 8 | 191 | 3.0 | 76 | 0.065 | 1.7 | 4.7 | 2.1 | 192 |
| 2" | 6.24 | 158 | 1.87 | 48 | 8 | 191 | 3.4 | 86 | 0.065 | 1.7 | 7.5 | 3.4 | 434 |
| 2-1/2" | 6.74 | 172 | 2.37 | 60 | 10 | 249 | 5.3 | 135 | 0.065 | 1.7 | 20 | 9.1 | 723 |
| 3" | 7.00 | 178 | 2.87 | 73 | 10 | 249 | 5.7 | 145 | 0.065 | 1.7 | 30 | 13.6 | 1124 |
| 4" | 8.50 | 216 | 3.83 | 97 | 11 | 287 | 6.8 | 173 | 0.083 | 2.1 | 40 | 18.2 | 2100 |

SB6 - PRESSURE/TEMPERATURE CHART



HOW TO ORDER SERIES SB6 BALL VALVES

Please refer to the next page for our comprehensive How to Order Guide for Series SB6 Ball Valves.



CleanTECH Series SB6 Ball Valve

Three-Piece, High Purity Clamp End Ball Valve

Sizes 1/2" ~ 4"

Ordering Code Sequence (Columns 1 thru 11)

| 1 | 2 | 3 | 4 | 5 | 6 |
|-------------------------|---|---|----------------------------|----------------------------|---|
| SERIES | BODY | ENDS | BALL | STEM | SEAT MATERIAL |
| SB60 = Series SB6 | 6 = 316 Stainless Steel ASTM A351 CF8M | 6 = 316 Stainless Steel ASTM A351 CF8M | 6 = 316 Stainless Steel | 6 = 316 Stainless Steel | A = TFM1600™ Q = TFM1600™ Cavity Filled |

| 7 | 8 | 9 | 10 | 11 |
|-----------|-------------------------|--|-----------|---|
| BODY SEAL | END CONNECTIONS | VALVE SIZE | OPTIONS* | SPECIAL SERVICES* |
| T = PTFE | TR0 = Tri-Clamp Ends | 005 = 1/2" 007 = 3/4" 010 = 1" 015 = 1-1/2" 020 = 2" 025 = 2-1/2" 030 = 3" 040 = 4" | 00 = None | 00 = None XC = Oxygen Cleaned EP = Electropolished AD = Oxygen Cleaned & Electropolished |

Order Example: (SB606666ATTR00050000) The Part Number will contain 20 digits.

Ordering Code Sequence >>

Sample Part Number >>

| | 1 | 2 | 3 | 4 | 5 | 6 | 7 | 8 | 9 | 10 | 11 |
|-----------------------|--------------|---------------|--------------|------|------|---------------|---------------|-----------------|------------|----------|-------------------|
| Sample Part Number >> | SB60 | 6 | 6 | 6 | 6 | A | T | TR0 | 005 | 00 | 00 |
| | Valve Series | Body Material | End Material | Ball | Stem | Seat Material | Seal Material | End Connections | Valve Size | Options* | Special Services* |

Manual Valves are supplied with lockable lever handles.

* Not all Options or Special Services available on all ball valves. Consult SVF for additional information.