

Straight-Line Strainers

● Durable Strainers for Standard Flow Processes

Sani-Matic's durable Straight-Line Strainers are used when process line layouts require straight-line strainers. Manufactured in the U.S., quick turnaround times are available for standard models.

Unlike Angle-Line Strainers, when using Straight-Line Strainers, the process lines must be broken/disassembled for cleaning and are available only in a single flow configuration.

With a wide variety of perforated and wedgewire straining elements, the Straight-Line Strainers provide product integrity and process equipment protection.



Sani-Matic's standard Straight-Line Strainers are 3-A certified when perforated elements are used.

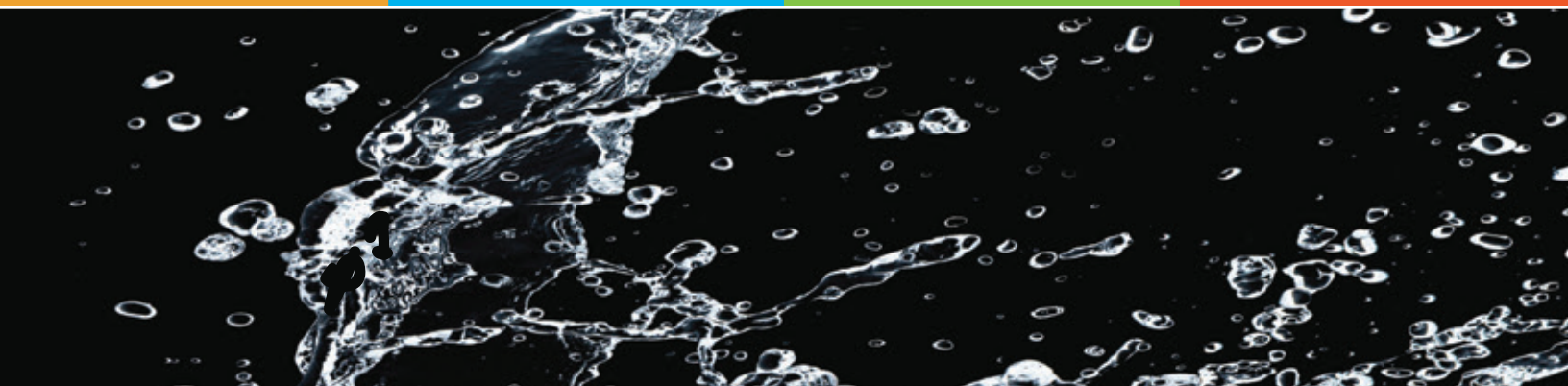


Food & Beverage

Bio-Pharm

Sanitary Components

Services



QUICK TIPS

Did you know strainer clips and elastomers are consumable items and fatigue over time?

Clips: The fit of a clip must be checked regularly and replaced when it no longer provides a secure fit or is overly worn.

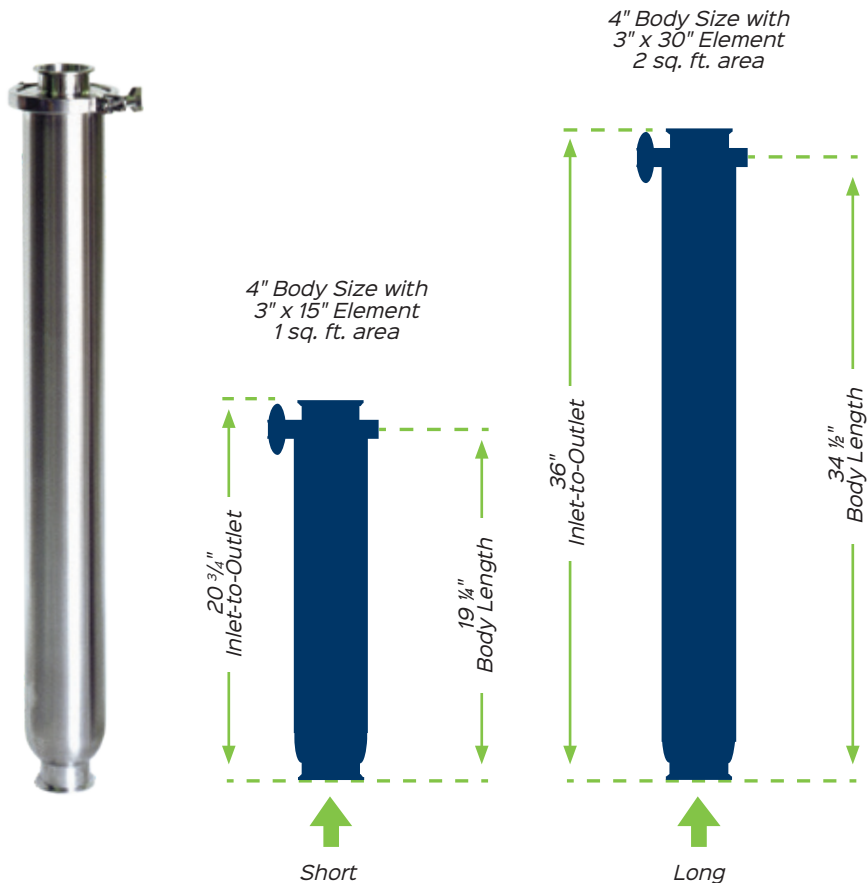
Elastomers: Plan to replace the strainer elastomers annually at a minimum.

Not sure when to clean a strainer?

Installing a pressure gauge before and after a strainer can help. When the gauge placed after the strainer drops 8 to 10 psi following the initial flow start-up, you'll know it is time to clean.

GOOD TO KNOW

- **Strainer & Element Material:** 316L stainless steel
- **Sanitary ID Finish:** 32 μ m Ra
- **Maximum Temperature Rating:** 250 °F
- **Full Assembly Maximum Pressure Rating:** 120 psi
- Wedgewire elements have some interior surfaces greater than 32 μ m Ra due to the construction process.
- Hot water jacket is available in 4" strainer bodies only.
- When shipped, strainer assemblies with a Teflon Encapsulated O-ring are not lubricated. Strainer assemblies with other O-ring materials will be lubricated with an FDA-compliant silicone grease.



Straight-Line Strainer Model Number Key

Example Model #: SS15T3-P125X04000

		1	2	3	4	5	6	7	8	9	10	11	12	13	14	15	16
1 Strainer Model	S Straight-Line																
2 Body Length	S Short Body L Long Body																
3, 4 Connection Size	15 1.5" 20 2.0" 25 2.5" 30 3.0" 40 4.0"																
5 Connection Type	T Tri-Clamp (Standard) W Butt Weld*																
6 Finish / Polish	3 32 µin Ra / Mechanical Polish (Standard) 1 20 µin Ra / Mechanical Polish* 8 32 µin Ra / Electropolish* 4 15 µin Ra / Electropolish*																
7-10 Element Type / Size	P062 Perforated / 0.0625" (1/16")* P093 Perforated / 0.09375" (3/32") P125 Perforated / 0.125" (1/8") P250 Perforated / 0.25" (1/4") W002 Wedgewire / 0.002" W005 Wedgewire / 0.005" W007 Wedgewire / 0.007" W010 Wedgewire / 0.010" W015 Wedgewire / 0.015" W020 Wedgewire / 0.020" W030 Wedgewire / 0.030" W040 Wedgewire / 0.040" W060 Wedgewire / 0.060" W187 Wedgewire / 0.1875"																
11 Flow Direction	X Standard Flow																
12 Seal Kit	0 EPDM Gasket (Standard) 1 Viton Gasket 3 Buna-N Gasket																
13, 14 Body Size	40 4.0"																
15 Option #1	0 None (Standard)																
16 Option #2	0 None (Standard)																

**Non-stock product option. Longer lead times will apply.*

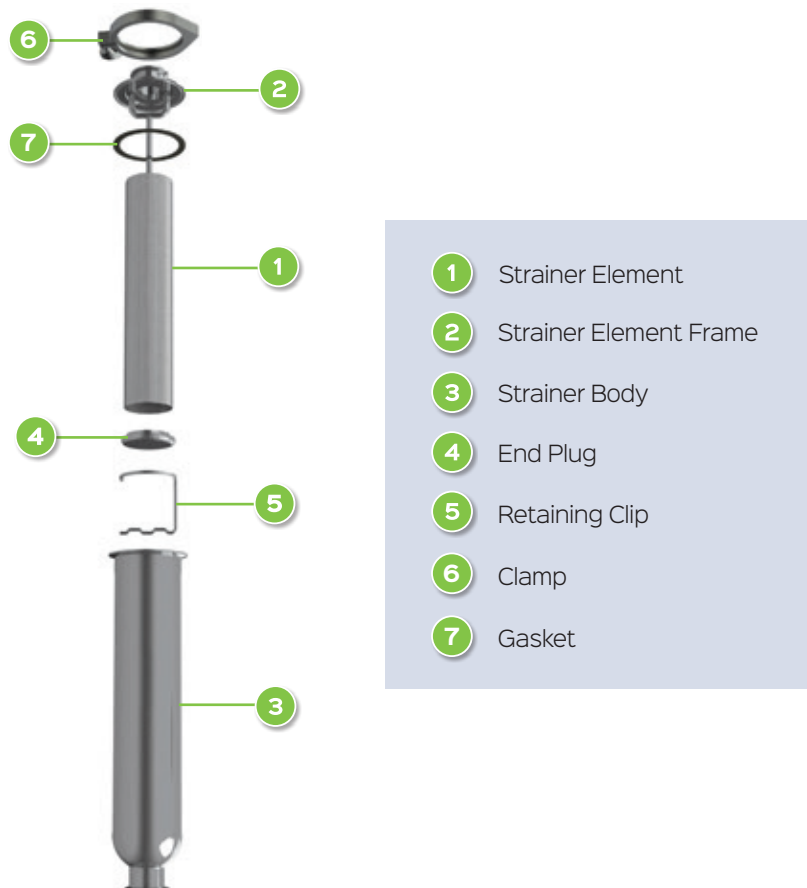
NOTE: See page 24 for element details.

Reference: Former Part Number & New Model Number Comparison

Reference Model Number Key for selections to be made. Selections are designated by empty green boxes in the table below.

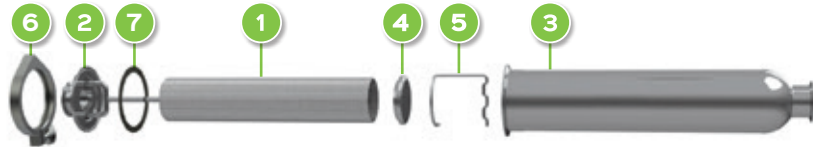
Straight-Line Strainer

Connection Size	Body Size	Max. gpm	SHORT Inlet-to-Outlet (20 3/4")		LONG Inlet-to-Outlet (36")	
			Perforated Old Part #	Perforated New Model Key #	Perforated Old Part #	Perforated New Model Key #
1.5"	4"	70	S10006	SS15T3-P <input type="text"/> X <input type="text"/> 4000	S10016	SL15T3-P <input type="text"/> X <input type="text"/> 4000
2.0"	4"	130	S10007	SS20T3-P <input type="text"/> X <input type="text"/> 4000	S10017	SL20T3-P <input type="text"/> X <input type="text"/> 4000
2.5"	4"	200	S10008	SS25T3-P <input type="text"/> X <input type="text"/> 4000	S10018	SL25T3-P <input type="text"/> X <input type="text"/> 4000
3.0"	4"	250	S10009	SS30T3-P <input type="text"/> X <input type="text"/> 4000	S10019	SL30T3-P <input type="text"/> X <input type="text"/> 4000
4.0"	4"	275	S10010	SS40T3-P <input type="text"/> X <input type="text"/> 4000	S10020	SL40T3-P <input type="text"/> X <input type="text"/> 4000
Connection Size	Body Size	Max. gpm	Wedgewire Old Part #	Wedgewire New Model Key #	Wedgewire Old Part #	Wedgewire New Model Key #
1.5"	4"	70	S10126	SW15T3-P <input type="text"/> X <input type="text"/> 4000	S10136	SL15T3-W <input type="text"/> X <input type="text"/> 4000
2.0"	4"	130	S10127	SW20T3-P <input type="text"/> X <input type="text"/> 4000	S10137	SL20T3-W <input type="text"/> X <input type="text"/> 4000
2.5"	4"	200	S10128	SW25T3-P <input type="text"/> X <input type="text"/> 4000	S10138	SL25T3-W <input type="text"/> X <input type="text"/> 4000
3.0"	4"	250	S10129	SW30T3-P <input type="text"/> X <input type="text"/> 4000	S10139	SL30T3-W <input type="text"/> X <input type="text"/> 4000
4.0"	4"	275	S10130	SW40T3-P <input type="text"/> X <input type="text"/> 4000	S10140	SL40T3-W <input type="text"/> X <input type="text"/> 4000



Replacement Parts

Straight-Line Strainer



- 1 Strainer Element
- 2 Strainer Element Frame
- 3 Strainer Body
- 4 End Plug
- 5 O-Ring Retainer
- 6 Retaining Clip
- 7 O-Ring

1 Strainer Elements

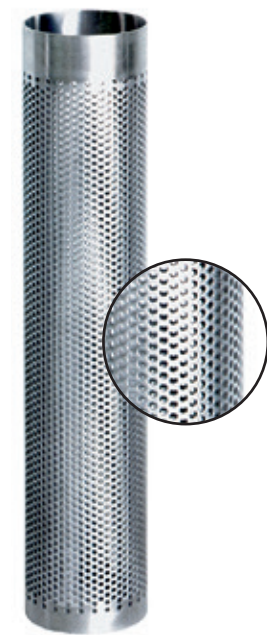
Perforated Strainer Elements					
Strainer Body Size	Strainer Element Size	Hole Size	Open Area	SHORT (15") Part #	LONG (30") Part #
4"	3"	1/16"	23%	289084*	277628*
4"	3"	3/32"	33%	721068	720972
4"	3"	1/8"	40%	720584	720585
4"	3"	1/4"	58%	720411	720412

Wedgewire Strainer Elements							
Strainer Body Size	Strainer Element Size	Slot Size	Micron Rating	Wire Mesh (Approx. Equiv.)	Open Area	SHORT (15") Part #	LONG (30") Part #
4"	3"	0.002"	50	270	4.1%	700323	700334
4"	3"	0.005"	125	120	9.6%	700324	700335
4"	3"	0.007"	177	80	13.0%	700325	700336
4"	3"	0.010"	250	60	17.5%	700326	700337
4"	3"	0.015"	380	40	24.2%	700327	700338
4"	3"	0.020"	500	32	29.9%	700328	700339
4"	3"	0.030"	750	25	39.0%	700329	700340
4"	3"	0.040"	1015	17	46.0%	700330	700341
4"	3"	0.060"	1524	10	56.1%	700331	700342
4"	3"	0.1875"	4775	4	72.5%	700333	700343

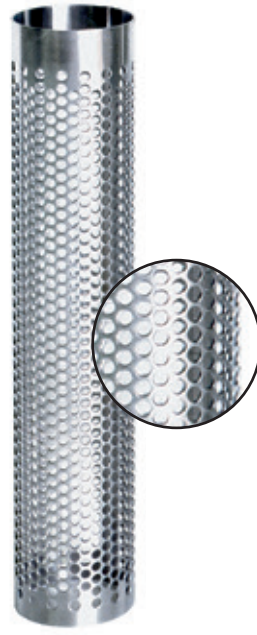
*Non-stock product option.

NOTE: Slot size to micron is a nominally rated value only.

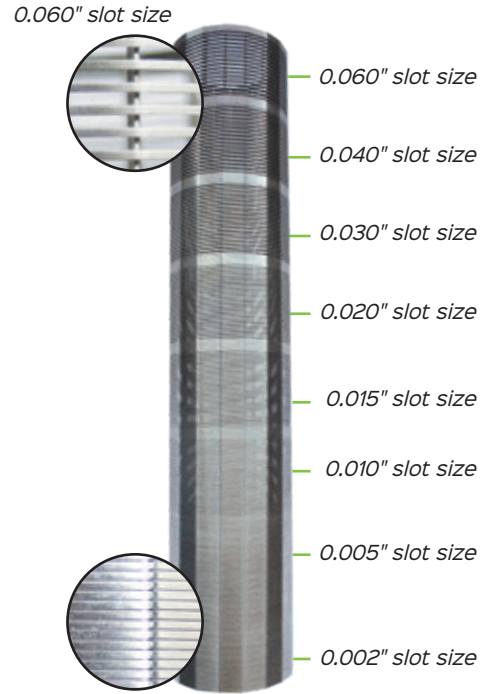
NOTE: Other perforated and wedgewire sizes are available.



1/8" Perforated Strainer Element



1/4" Perforated Strainer Element



0.060" slot size

NOTE: Image is a demonstration piece highlighting the largest to smallest wedge-wire slot sizes.

GOOD TO KNOW

- **Element Material:** 316L stainless steel
- **Sanitary ID Finish:** 32 μm Ra
- Wedgewire elements have some interior surfaces greater than 32 μm Ra due to construction process.
- Strainer elements protect your processing equipment and product integrity.
- Perforated and wedgewire elements provide different straining advantages:

Advantages of Perforated Element

- 3-A certified when used without mesh overlay
- Large open area ratio with lower pressure drops
- Can capture fine particulate with wire mesh overlay and filter tubes

Advantages of Wedgewire Element

- One piece solution
- Ability to handle higher differential pressures across strainer element





Straight-Line

2 Strainer Element Frames
 Straight-Line Strainers Have a Standard Flow Direction Only

Strainer Model	Flow Direction	Strainer Element Frame Length ¹	Strainer Element Length	Strainer Body Length	Connection Size	Part #
Straight-Line	End-Inlet	18 1/16"	SHORT (15")	SHORT (Approx. 19")	1.5"	740318
Straight-Line	End-Inlet	18 1/16"	SHORT (15")	SHORT (Approx. 19")	2.0"	740325
Straight-Line	End-Inlet	18 1/16"	SHORT (15")	SHORT (Approx. 19")	2.5"	740359
Straight-Line	End-Inlet	18 1/16"	SHORT (15")	SHORT (Approx. 19")	3.0"	740565
Straight-Line	End-Inlet	19 19/32"	SHORT (15")	SHORT (Approx. 19")	4.0"	740491
Straight-Line	End-Inlet	33 1/16"	LONG (30")	LONG (Approx. 34")	1.5"	740422
Straight-Line	End-Inlet	33 1/16"	LONG (30")	LONG (Approx. 34")	2.0"	740309
Straight-Line	End-Inlet	33 1/16"	LONG (30")	LONG (Approx. 34")	2.5"	740305
Straight-Line	End-Inlet	33 1/16"	LONG (30")	LONG (Approx. 34")	3.0"	740356
Straight-Line	End-Inlet	34 19/32"	LONG (30")	LONG (Approx. 34")	4.0"	740368

¹Overall allowable length removal clearance.

3 Strainer Bodies (4" Body Size)

Strainer Model	Strainer Body Length	Tri-Clamp Connection Size	Part #
Straight-Line	SHORT (Approx. 19")	1.5"	740843
Straight-Line	SHORT (Approx. 19")	2.0"	740844
Straight-Line	SHORT (Approx. 19")	2.5"	740845
Straight Line	SHORT (Approx. 19")	3.0"	740846
Straight-Line	SHORT (Approx. 19")	4.0"	741141
Straight-Line	LONG (Approx. 34")	1.5"	740847
Straight-Line	LONG (Approx. 34")	2.0"	740848
Straight-Line	LONG (Approx. 34")	2.5"	740849
Straight-Line	LONG (Approx. 34")	3.0"	740850
Straight-Line	LONG (Approx. 34")	4.0"	741142

4 End Plugs

Body Size	Material	Part #
4"	Teflon	720988
4"	Stainless	118582



Teflon End Plug



Stainless Steel End Plug

5 Retaining Clips

Body Size	Flow Direction	Part #
4"	End-Inlet (Standard Flow)	740295



6 Clamps

Body Size	Part #
4"	020225



7 Gaskets

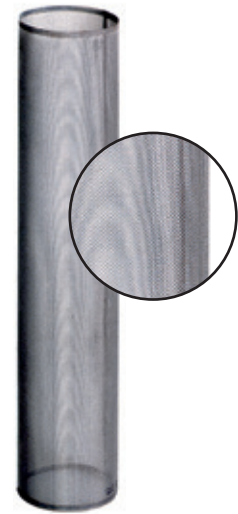
Material	Body Size	Part #
EPDM	4"	021031
Viton	4"	020474
Buna-N	4"	020226



Accessories

Mesh Overlays (For perforated elements only)

Mesh Size US	Micron (Approx. Equiv.)	Opening Width in Inches (Approx. Equivalent)	Open Area	SHORT (15") Part #	LONG (30") Part #
8	2360	0.0970"	60%	035251	029664
10	2000	0.0750"	56%	000717	000701
12	1700	0.0603"	52%	035252	029665
20	850	0.0340"	46%	000712	000702
30	600	0.0213"	41%	000713	000703
40	425	0.0150"	36%	000714	000704
50	300	0.0110"	30%	000715	000705
60	250	0.0092"	31%	000716	000706
80	180	0.0070"	31%	000718	000708
100	150	0.0060"	36%	000711	000710
120	125	0.0046"	31%	000720	000707
150	98	0.0041"	37%	021276	021274
200	75	0.0029"	34%	021275	1000048



Mesh Overlay

Filter Tube: 4" Body Size x 20.75" Strainers • 50/Box

4 7/8" x 17" Filter Tubes (For 1", 1.5", 2", 2.5", 3", and 4" connections). Fits 3" x 15" Perforated Element.



Material	Width	Length (SHORT)	Max. Temperature (°F)	Micron	Part #
Non-Woven Rayon	4 7/8"	17"	400	25	032789
Polyester	4 7/8"	17"	400	40	048602
Polyester Screen	4 7/8"	17"	270 continuous, 455 short term	80	041235
Nylon Multifilament	4 7/8"	17"	185 continuous, 455 short term	150	031264
Polyester Knit	4 7/8"	17"	270 continuous, 455 short term	225	033922
Polyester Multifilament	4 7/8"	17"	270 continuous, 455 short term	250	036985
Cotton Cheese Cloth	4 7/8"	17"	300	300	028476
Nylon Leno	4 7/8"	17"	270 continuous, 455 short term	400	048603
Nylon Leno	4 7/8"	17"	185 continuous, 455 short term	800	031133
Nylon Multifilament	4 7/8"	17"	185 continuous, 455 short term	1000	028335

*1" filter tube is for SaniClean strainers only.

Filter Tube: 4" Body Size x 36" Strainers • 50/Box

4 7/8" x 33 1/2" Filter Tubes (For 1", 1.5", 2", 2.5", 3", and 4" connections). Fits 3" x 30" Perforated Element.



Material	Width	Length (LONG)	Max. Temperature (°F)	Micron	Part #
Non-Woven Rayon	4 7/8"	33 1/2"	400	25	028390
Non-Woven Rayon	4 7/8"	33 1/2"	400	40	028857
Polyester Multifilament	4 7/8"	33 1/2"	270 continuous, 455 short term	80	029075
Nylon Multifilament	4 7/8"	33 1/2"	185 continuous, 455 short term	150	028395
Polyester Knit	4 7/8"	33 1/2"	270 continuous, 455 short term	225	040565
Polyester Multifilament	4 7/8"	33 1/2"	270 continuous, 455 short term	250	030951
Cotton Cheese Cloth	4 7/8"	33 1/2"	300	300	028797
Polyester Multifilament	4 7/8"	33 1/2"	270 continuous, 455 short term	400	023864
Cotton Flannel	4 7/8"	33 1/2"	300	500	029190
Nylon Monofilament	4 7/8"	33 1/2"	275	500	041618
Nylon Leno	4 7/8"	33 1/2"	185 continuous, 455 short term	800	1000044

SaniClean™ Strainers

The SaniClean™ strainer by Newark Wire Cloth Company is a direct replacement for a Tri-Clover style strainer. This strainer is constructed of 316L stainless steel and maintains an ID finish of 25 µin Ra and OD of 35 µin Ra. It is an alternative for your in-line (or straight-line) strainer needs. Wire mesh overscreens with longitudinal seams fit over the perforated support cores (or elements) to ensure a consistent diameter for the full length of the cylinder. Hemmed seams are tacked in place to provide a smooth, finished edge.



Complete Inline (or Straight-Line) Strainer Assemblies

Assemblies Include: Filter Body, Outlet Assembly, Distributor Cap, Spring, Clamp, Gasket (Buna-N), and Perforated Support Core (or Element).

Tri-Clamp Connections, 4" Body Size x 15.75", 3" Support Core (Element)

Connection Size	Body Size	Body Length	Perf Size	Element Size	Part #
1.0"	4.0"	SHORT (15.75")	1/8"	3.0" x 10 7/8"	5009005
1.0"	4.0"	SHORT (15.75")	1/4"	3.0" x 10 7/8"	5009000
1.5"	4.0"	SHORT (15.75")	1/8"	3.0" x 10 7/8"	5009015
1.5"	4.0"	SHORT (15.75")	1/4"	3.0" x 10 7/8"	5009010
2.0"	4.0"	SHORT (15.75")	1/8"	3.0" x 10 7/8"	5009025
2.0"	4.0"	SHORT (15.75")	1/4"	3.0" x 10 7/8"	5009020

Tri-Clamp Connections, 4.5" Body Size x 15.75", 3.5" Support Core (Element)

Connection Size	Body Size	Body Length	Perf Size	Element Size	Part #
2.5"	4.5"	SHORT (15.75")	1/8"	3.5" x 10 7/8"	5009035
2.5"	4.5"	SHORT (15.75")	1/4"	3.5" x 10 7/8"	5009030
3.0"	4.5"	SHORT (15.75")	1/8"	3.5" x 10 7/8"	5009045
3.0"	4.5"	SHORT (15.75")	1/4"	3.5" x 10 7/8"	5009040

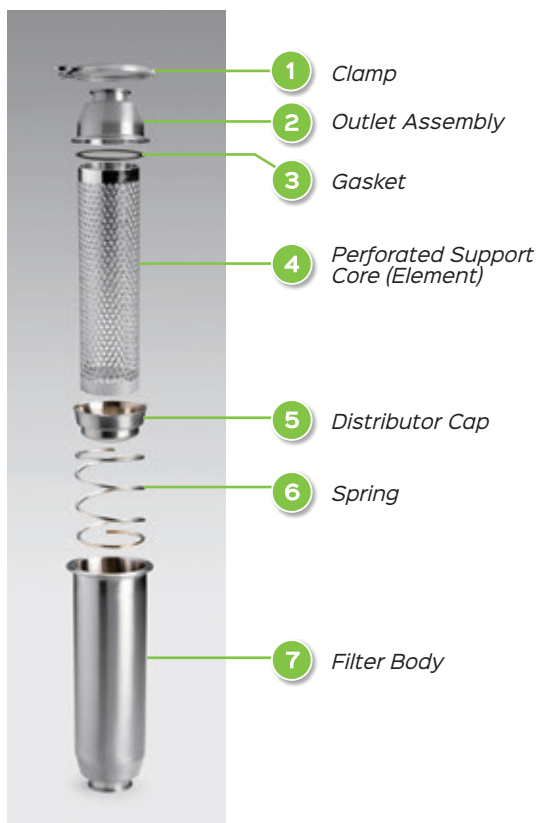
Tri-Clamp Connections, 4" Body Size x 35.38", 3" Support Core (Element)

Connection Size	Body Size	Body Length	Perf Size	Element Size	Part #
1.0"	4.0"	LONG (35.38")	1/8"	3.0" x 30 3/4"	5009055
1.0"	4.0"	LONG (35.38")	1/4"	3.0" x 30 3/4"	5009050
1.5"	4.0"	LONG (35.38")	1/8"	3.0" x 30 3/4"	5009065
1.5"	4.0"	LONG (35.38")	1/4"	3.0" x 30 3/4"	5009060
2.0"	4.0"	LONG (35.38")	1/8"	3.0" x 30 3/4"	5009075
2.0"	4.0"	LONG (35.38")	1/4"	3.0" x 30 3/4"	5009070

Tri-Clamp Connections, 4.5" Body Size x 35.38", 3.5" Support Core (Element)

Connection Size	Body Size	Body Length	Perf Size	Element Size	Part #
2.5"	4.5"	LONG (35.38")	1/8"	3.5" x 30 3/4"	5009085
2.5"	4.5"	LONG (35.38")	1/4"	3.5" x 30 3/4"	5009080
3.0"	4.5"	LONG (35.38")	1/8"	3.5" x 30 3/4"	5009095
3.0"	4.5"	LONG (35.38")	1/4"	3.5" x 30 3/4"	5009090

SaniClean™ Replacement Parts



1 Clamp

Connection Size	Body Size	Part #
1.0" / 1.5" / 2.0"	4.0"	5000750
2.5" / 3.0"	4.5"	5000850



2 Outlet Assembly/Clamped Connection (Lid)

Clamped Connection Size	Part #	Bevel Seat Connection Size	Part #
1.0"	5000700	1.0"	5000705
1.5"	5000800	1.5"	5000805
2.0"	5000900	2.0"	5000905
2.5"	5001000	2.5"	5001005
3.0"	5002000	3.0"	5002005



3 Gaskets

Description	Connection Size	4" Body Size Part #	Connection Size	4.5" Body Size Part #
Buna-N (Standard)	1.0" / 1.5" / 2.0"	5000760	2.5" / 3.0"	5000765
Silicone	1.0" / 1.5" / 2.0"	5000770	2.5" / 3.0"	5000775
EPDM	1.0" / 1.5" / 2.0"	5000780	2.5" / 3.0"	5000785
Viton-SFY	1.0" / 1.5" / 2.0"	5000790	2.5" / 3.0"	5000795

4 Perforated Support Cores (Elements)

Connection Size	Body Size	Perf Size	Body Length	Support Core (Element)	Part #
1.0" / 1.5" / 2.0"	4.0"	1/8"	SHORT (15.75")	3.0" x 10 7/8"	5005010
1.0" / 1.5" / 2.0"	4.0"	1/4"	SHORT (15.75")	3.0" x 10 7/8"	5005030
1.0" / 1.5" / 2.0"	4.0"	1/8"	LONG (35.38")	3.0" x 30 3/4"	5005050
1.0" / 1.5" / 2.0"	4.0"	1/4"	LONG (35.38")	3.0" x 30 3/4"	5005070
Connection Size	Body Size	Perf Size	Body Length	Support Core (Element)	Part #
2.5" / 3.0"	4.5"	1/8"	SHORT (15.75")	3.5" x 10 7/8"	5006090
2.5" / 3.0"	4.5"	1/4"	SHORT (15.75")	3.5" x 10 7/8"	5006100
2.5" / 3.0"	4.5"	1/8"	LONG (35.38")	3.5" x 30 3/4"	5006120
2.5" / 3.0"	4.5"	1/4"	LONG (35.38")	3.5" x 30 3/4"	5006130

5 Distributor Cap

Connection Size	Body Size	Part #
1.0" / 1.5" / 2.0"	4.0"	5000730
2.5" / 3.0"	4.5"	5001030



6 Spring

Connection Size	Body Size	Part #
1.0" / 1.5" / 2.0"	4.0"	5000740
2.5" / 3.0"	4.5"	5001040



7 Filter Body

Clamped Connection Size	SHORT Body Part #	LONG Body Part #
1.0"	5000710	5000720
1.5"	5000810	5000820
2.0"	5000910	5000920
2.5"	5001010	5001020
3.0"	5002010	5002020



Accessories



Retaining Rings

Retaining Rings Hold Filter Tubes' Support Cores (Elements)

Description	Part #
Retaining Rings (Buna-N) - to fit 3" dia. Perforated Element	3100108
Retaining Rings (Viton-SFY) - to fit 3" dia. Perforated Element	3100114
Retaining Rings (EPDM) - to fit 3" dia. Perforated Element	3100130
Retaining Rings (Buna-N) - to fit 3.5" dia. Perforated Element	3100109
Retaining Rings (Viton-SFY) - to fit 3.5" dia. Perforated Element	3100124
Retaining Rings (EPDM) - to fit 3.5" dia. Perforated Element	3100131

Filter Tubes: 4.5" Body Size • 50/Box

5 5/8" x 13 1/2" Filter Tubes (For 2.5", 3", and 4" Connections). Fits 3.5" x 11" Perforated Support Core (Element)

Material	Width	Length (SHORT)	Micron	Part #
Non-Woven Rayon	5 5/8"	13 1/2"	40	031840
Polyester Screen	5 5/8"	13 1/2"	80	048624
Nylon Multifilament	5 5/8"	13 1/2"	150	048625
Polyester Knit	5 5/8"	13 1/2"	225	048626
Smooth Weave Dacron	5 5/8"	13 1/2"	250	048627
Cotton Cheese Cloth	5 5/8"	13 1/2"	300	029189
Nylon Monofilament	5 5/8"	13 1/2"	300	048628
Nylon Monofilament	5 5/8"	13 1/2"	400	048629
Cotton Flannel	5 5/8"	13 1/2"	500	033778
Nylon Monofilament	5 5/8"	13 1/2"	500	048630
Nylon Leno	5 5/8"	13 1/2"	765	048631

Filter Tubes: 4.5" Body Size • 50/Box

5 5/8" x 33 1/2" Filter Tubes (For 2.5", 3" and 4" Connections). Fits 3.5" x 31" Perforated Support Core (Element)

Material	Width	Length (LONG)	Micron	Part #
Non-Woven Rayon	5 5/8"	33 1/2"	25	029473
Non-Woven Rayon	5 5/8"	33 1/2"	40	030660
Polyester Screen	5 5/8"	33 1/2"	80	048604
Nylon Multifilament	5 5/8"	33 1/2"	150	035341
Polyester Knit	5 5/8"	33 1/2"	225	038186
Smooth Weave Dacron	5 5/8"	33 1/2"	250	035342
Cotton Cheese Cloth	5 5/8"	33 1/2"	300	032668
Nylon Monofilament	5 5/8"	33 1/2"	300	048605
Nylon Monofilament	5 5/8"	33 1/2"	400	039161
Plain Weave Polyester	5 5/8"	33 1/2"	400	048606
Cotton Flannel	5 5/8"	33 1/2"	500	048607
Nylon Monofilament	5 5/8"	33 1/2"	500	048608
Nylon Leno	5 5/8"	33 1/2"	765	048609

Mesh Overscreens for SaniClean Strainers

Description	Mesh Size	Part #	Description	Mesh Size	Part #
3" Dia. x 10 7/8" Length (SHORT)			3 1/2" Dia. x 10 7/8" Length (SHORT)		
Wire Mesh Overscreen	10	500010	Wire Mesh Overscreen	10	5000160
Wire Mesh Overscreen	12	500020	Wire Mesh Overscreen	12	5000170
Wire Mesh Overscreen	14	500030	Wire Mesh Overscreen	14	5000180
Wire Mesh Overscreen	16	500040	Wire Mesh Overscreen	16	5000190
Wire Mesh Overscreen	18	500050	Wire Mesh Overscreen	18	5000200
Wire Mesh Overscreen	20	500060	Wire Mesh Overscreen	20	5000210
Wire Mesh Overscreen	24	500070	Wire Mesh Overscreen	24	5000220
Wire Mesh Overscreen	30	500080	Wire Mesh Overscreen	30	5000230
Wire Mesh Overscreen	40	500090	Wire Mesh Overscreen	40	5000240
Wire Mesh Overscreen	50	500095	Wire Mesh Overscreen	50	5000245
Wire Mesh Overscreen	60	500100	Wire Mesh Overscreen	60	5000250
Wire Mesh Overscreen	80	500110	Wire Mesh Overscreen	80	5000260
Wire Mesh Overscreen	100	500120	Wire Mesh Overscreen	100	5000270
Wire Mesh Overscreen	120	500130	Wire Mesh Overscreen	120	5000280
Wire Mesh Overscreen	150	500140	Wire Mesh Overscreen	150	5000290
Wire Mesh Overscreen	200	500150	Wire Mesh Overscreen	200	5000300
Description	Mesh Size	Part #	Description	Mesh Size	Part #
3" Dia. x 30 3/4" Length (LONG)			3 1/2" Dia. x 30 3/4" Length (LONG)		
Wire Mesh Overscreen	10	5000510	Wire Mesh Overscreen	10	5000310
Wire Mesh Overscreen	12	5000520	Wire Mesh Overscreen	12	5000320
Wire Mesh Overscreen	14	5000530	Wire Mesh Overscreen	14	5000330
Wire Mesh Overscreen	16	5000540	Wire Mesh Overscreen	16	5000340
Wire Mesh Overscreen	18	5000550	Wire Mesh Overscreen	18	5000350
Wire Mesh Overscreen	20	5000560	Wire Mesh Overscreen	20	5000360
Wire Mesh Overscreen	24	5000570	Wire Mesh Overscreen	24	5000370
Wire Mesh Overscreen	30	5000580	Wire Mesh Overscreen	30	5000380
Wire Mesh Overscreen	40	5000590	Wire Mesh Overscreen	40	5000390
Wire Mesh Overscreen	50	5000595	Wire Mesh Overscreen	50	5000395
Wire Mesh Overscreen	60	5000600	Wire Mesh Overscreen	60	5000400
Wire Mesh Overscreen	80	5000610	Wire Mesh Overscreen	80	5000410
Wire Mesh Overscreen	100	5000620	Wire Mesh Overscreen	100	5000420
Wire Mesh Overscreen	120	5000630	Wire Mesh Overscreen	120	5000430
Wire Mesh Overscreen	150	5000640	Wire Mesh Overscreen	150	5000440
Wire Mesh Overscreen	200	5000650	Wire Mesh Overscreen	200	5000450