

Provided by:

Holland[®]
APPLIED TECHNOLOGIES
www.hollandapt.com
Phone: 800-800-8464

Tee-Line Strainers

● Protect Your Pumps and Equipment

Sani-Matic Tee-Line Strainers are designed to keep materials out of your pumps and process equipment. And, because the strainer's open area of perforation exceeds line size diameter, there is minimal pressure drop.

Engineered with durability and simplicity in mind, the tri-clamp connection allows for quick Element Insert removal and easy cleaning. The Tee-Line Strainers are also available with alignment pins to ensure proper installation every time.

Purchasing the complete assembly — tee, insert, gasket and tri-clamp — is recommended to ensure a proper fit.

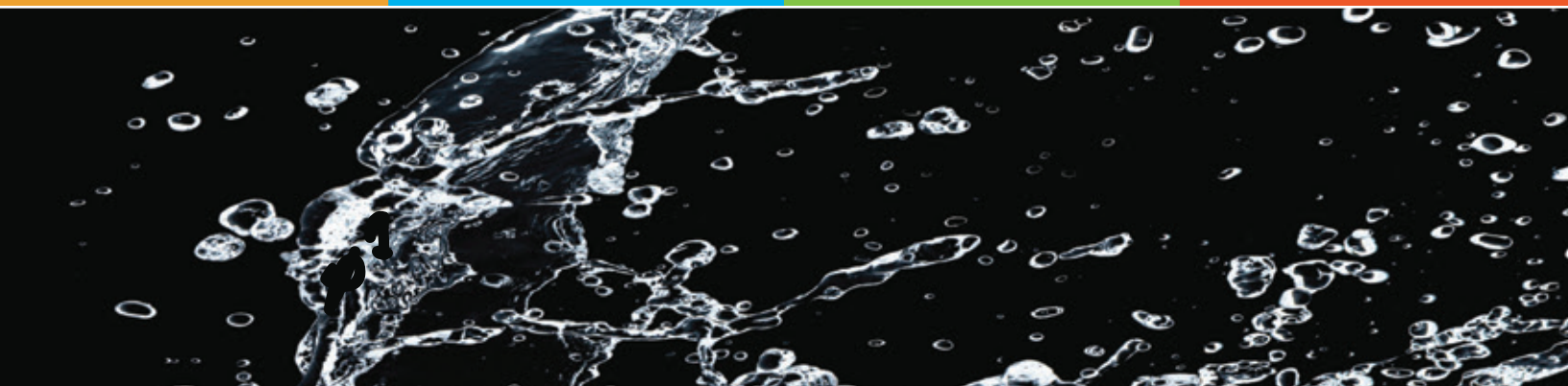


Food & Beverage

Bio-Pharm

Sanitary Components

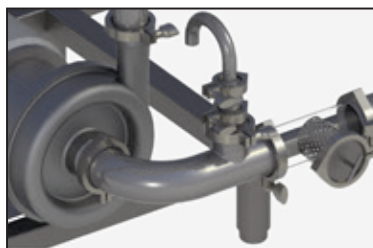
Services



QUICK TIPS

Want an economical and easy way to prolong the life of your equipment?

Install Tee-Line Strainers at the suction end of the pump to protect the pump, process equipment and valves from foreign materials, such as gasket pieces, bolts, and other items.

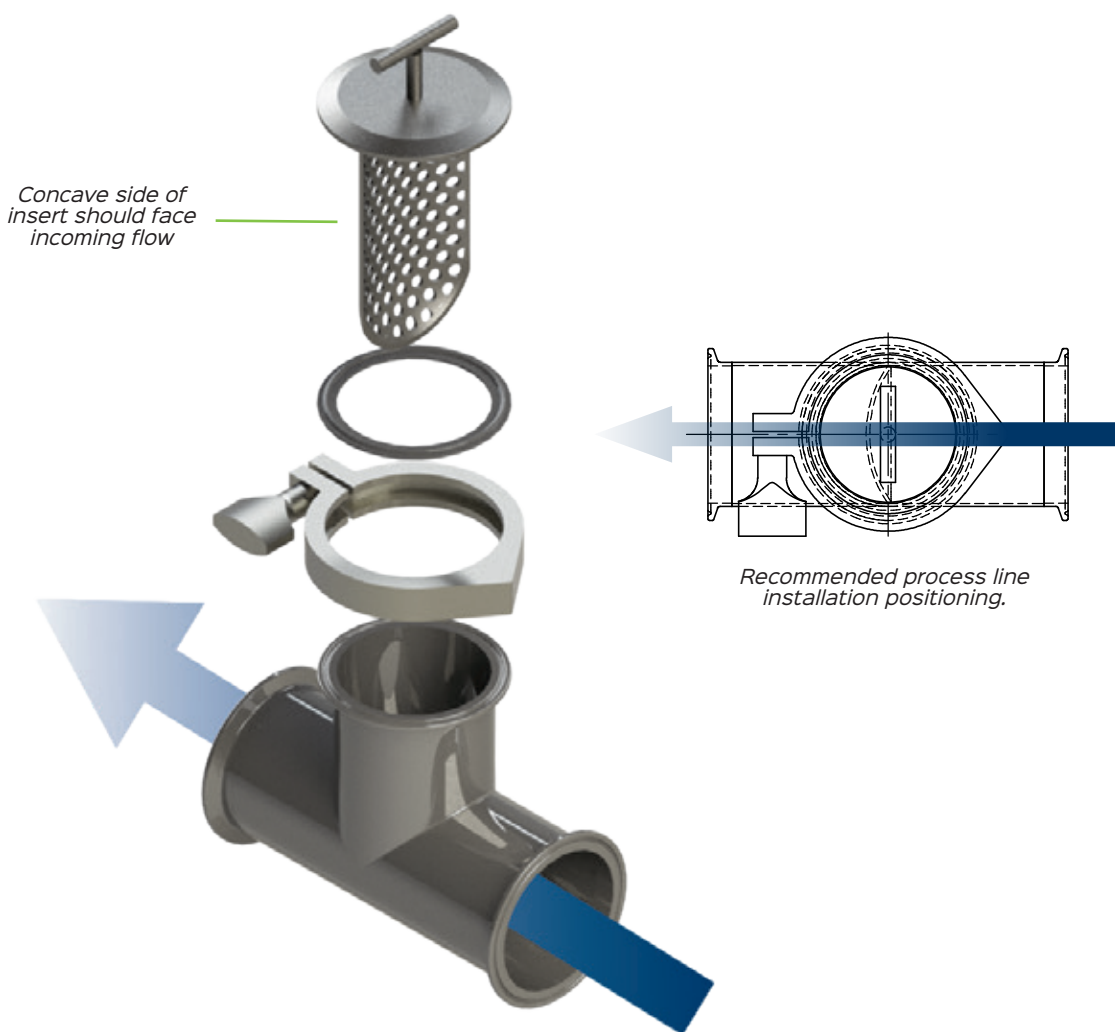


How should the insert be positioned?

The concave side of the insert (or scooped side) should be positioned facing the incoming flow. The insert handle should be positioned perpendicular to the line.

GOOD TO KNOW

- **Strainer & Element Material:** 316L stainless steel
- The open area of perforation exceeds the line size diameter
- The Tee-Line Strainer with alignment pin keeps the insert properly positioned
- Connection size and body size are always equal



Tee-Line Strainer Model Number Key

Example Model #: TX15T7-P125X01500



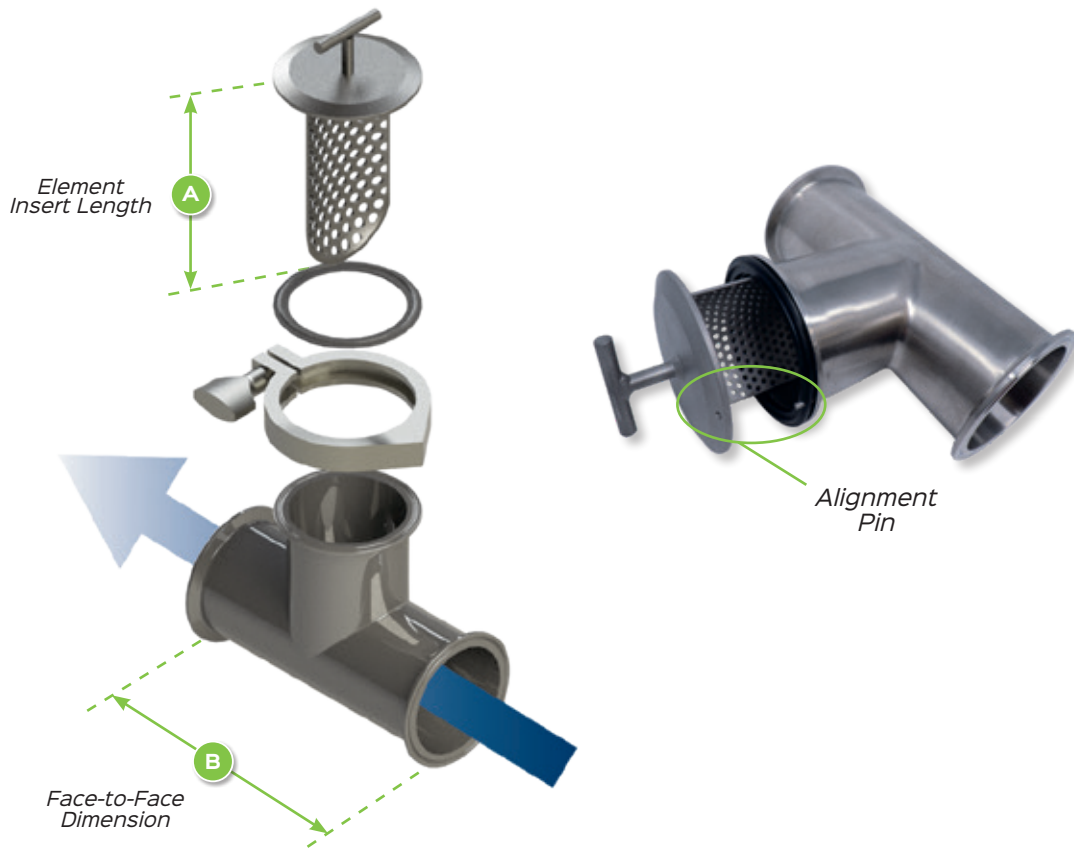
1	Strainer Model	T Tee-Line
2	Body Length	X Standard Body
3, 4	Connection Size	15 1.5" 20 2.0" 25 2.5" 30 3.0" 40 4.0" 60 6.0**
5	Connection Type	T Tri-Clamp (Standard) W Butt Weld*
6	Finish / Polish	7 Bead Blast Insert & 32 µin Ra / Mechanical Polish Body (Standard) 3 32 µin Ra / Mechanical Polish Body & Insert* 1 20 µin Ra / Mechanical Polish Body & Insert* 8 32 µin Ra / Electropolish Body & Insert* 4 15 µin Ra / Electropolish Body & Insert*
7-10	Element Type / Size	P062 Perforated / 0.0625" (1/16")* P125 Perforated / 0.125" (1/8") P250 Perforated / 0.25" (1/4")
11	Flow Direction	X Standard Flow
12	Seal Kit	0 EPDM (Standard) 1 Viton 3 Buna-N
13, 14	Body Size	15 1.5" 20 2.0" 25 2.5" 30 3.0" 40 4.0" 60 6.0**
15	Option #1	0 None (Standard) A Alignment Pin
16	Option #2	0 None (Standard)

***Non-stock product option. Longer lead times will apply.**
 NOTE: Connection size and body size are always equal.

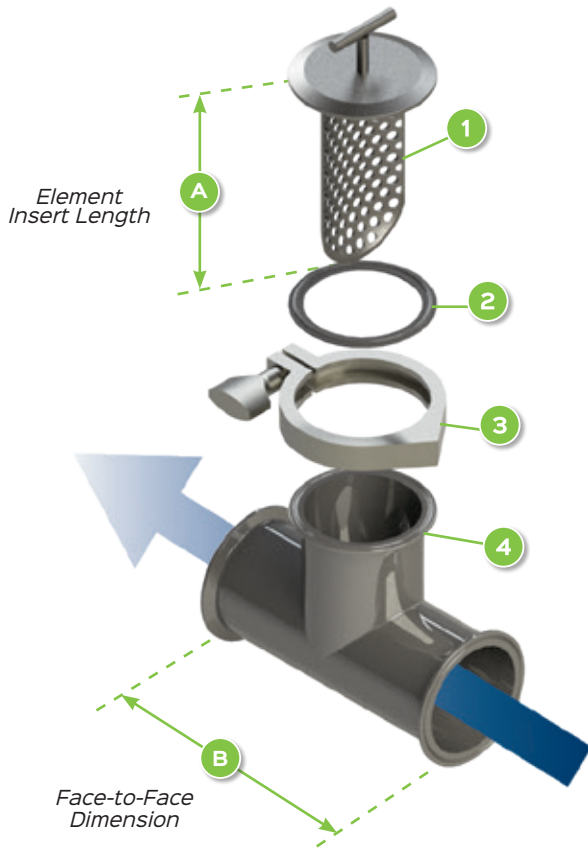
Reference: Part Number & New Model Number Comparison

Connection Size	Perforated Hole Size	Element Insert Length A	Face-to-Face Tee Dimension B	Tee-Line Part #	Tee-Line New Model Key #	Tee-Line w/ Alignment Pin Part #	Tee-Line w/ Alignment Pin New Model Key #
1.5"	1/8"	3.50"	5.5"	105712	TX15T7-P125X01500	112278	TX15T7-P125X015A0
1.5"	1/4"	3.50"	5.5"	105727	TX15T7-P250X01500	242321	TX15T7-P250X015A0
2.0"	1/8"	4.50"	7.0"	105719	TX20T7-P125X02000	110840	TX20T7-P125X020A0
2.0"	1/4"	4.50"	7.0"	105730	TX20T7-P250X02000	157689	TX20T7-P250X020A0
2.5"	1/8"	4.75"	7.0"	105721	TX25T7-P125X02500	204996	TX25T7-P125X025A0
2.5"	1/4"	4.75"	7.0"	105732	TX25T7-P250X02500	114697	TX25T7-P250X025A0
3.0"	1/8"	5.25"	7.5"	105723	TX30T7-P125X03000	119119	TX30T7-P125X030A0
3.0"	1/4"	5.25"	7.5"	105734	TX30T7-P250X03000	117029	TX30T7-P250X030A0
4.0"	1/8"	6.50"	9.0"	105725	TX40T7-P250X04000	178006	TX40T7-P250X040A0
4.0"	1/4"	6.50"	9.0"	105736	TX40T7-P250X04000	179119	TX40T7-P250X040A0
6.0"	1/8"	9.375"	13.0"	110165	TX60T7-P125X06000*	284367	TX60T7-P125X060A0*
6.0"	1/4"	9.375"	13.0"	110166	TX60T7-P250X06000*	276900	TX60T7-P250X060A0*

*Non-stock product option. Longer lead times will apply.
NOTE: Connection size and body size are always equal.



Replacement Parts



- 1 Element Insert
- 2 Gasket
- 3 Clamp
- 4 Strainer Body



1 Element Inserts

Connection Size	Perforated Hole Size	Element Insert Length A	Insert w/o Alignment Pin Part #	Insert w/ Alignment Pin Part #
1.5"	1/16"	3.50"	740749*	289398*
1.5"	1/8"	3.50"	740754	285880
1.5"	1/4"	3.50"	740759	285881
2.0"	1/16"	4.50"	740750*	289399*
2.0"	1/8"	4.50"	740755	285882
2.0"	1/4"	4.50"	740760	158017
2.5"	1/16"	4.75"	740751*	289400*
2.5"	1/8"	4.75"	740756	285883
2.5"	1/4"	4.75"	740761	285857
3.0"	1/16"	5.25"	740752*	289401*
3.0"	1/8"	5.25"	740757	285013
3.0"	1/4"	5.25"	740762	269047
4.0"	1/16"	6.50"	740753*	289402*
4.0"	1/8"	6.50"	740758	285884
4.0"	1/4"	6.50"	740763	285885
6.0"	1/16"	9.375"	289393*	289403*
6.0"	1/8"	9.375"	740991*	285886*
6.0"	1/4"	9.375"	741035*	285887*

*Non-stock product option. Longer lead times will apply.

NOTE: If not using Sani-Matic Tee-Line Strainer body, customer must supply a tee-line strainer body to match insert length.

NOTE: Other perforated hole sizes are available.

2 Gaskets

Connection Size	EPDM Gaskets w/o Alignment Pin Part #	EPDM Gaskets w/ Alignment Pin Part #
1.5"	021027	020455
2.0"	021028	258816
2.5"	021029	277242
3.0"	021030	277243
4.0"	021031	277244
6.0"	022975	277245

NOTE: EPDM is the standard. Other gasket materials are available.



3 Clamps

Connection Size	Part #
1.5"	020081
2.0"	020082
2.5"	020083
3.0"	020084
4.0"	020225
6.0"	020976



4 Strainer Body

Tri-Clamp Connection Size	Face-to-Face Tee Dimension B	Tee-Line Body w/o Alignment Pin Part #	Tee-Line Body w/ Alignment Pin Part #
1.5"	5.5"	020901	288162
2.0"	7.0"	020902	288163
2.5"	7.0"	020903	288164
3.0"	7.5"	020904	288165
4.0"	9.0"	020905	288166
6.0"	13.0"	034337*	288167*

*Non-stock product option.



Provided by:


Holland[®]
APPLIED TECHNOLOGIES
www.hollandapt.com
 Phone: 800-800-8464