

FIG. 221 CHT

THREADED MOUNT HANGER

Provided by:



Threaded Anchor or Guide Hanger

One piece unit with threaded adaptor. Rod is sold separately.

Features: The threaded mounting section, on top of housing, doubles as a threaded rod connector and a welding platform. Figure 221 CHT, paired with a Figure 245 rod, can also be used in combination with our stanchions and/or height adjusters. This combination will allow the support to be adjusted telescopically to the tube or pipe elevation. Call customer service for the price and availability of special rod lengths.

Size Range: 0.24" diameters through 8.63" diameter covering imperial tube, pipe and copper sizes. ISO and DIN standards and special diameters available upon request.

Hardware: 304 Stainless Steel (Standard), 316 Stainless Steel

Finish: 25 RA

Plastic: Polyethersulfone (PESU) (Black = Anchor and Gray = Guide). See Technical Data for temperature ratings.

Anchors: Refer to shear force diagram in technical section (page 88).

Guides: Allows free axial movement for thermal expansion of tube or pipe

221 CHT Compact Threaded Mount Hanger - Part Number Configurator

Part Number Example:

CHT - PG - 150 - T

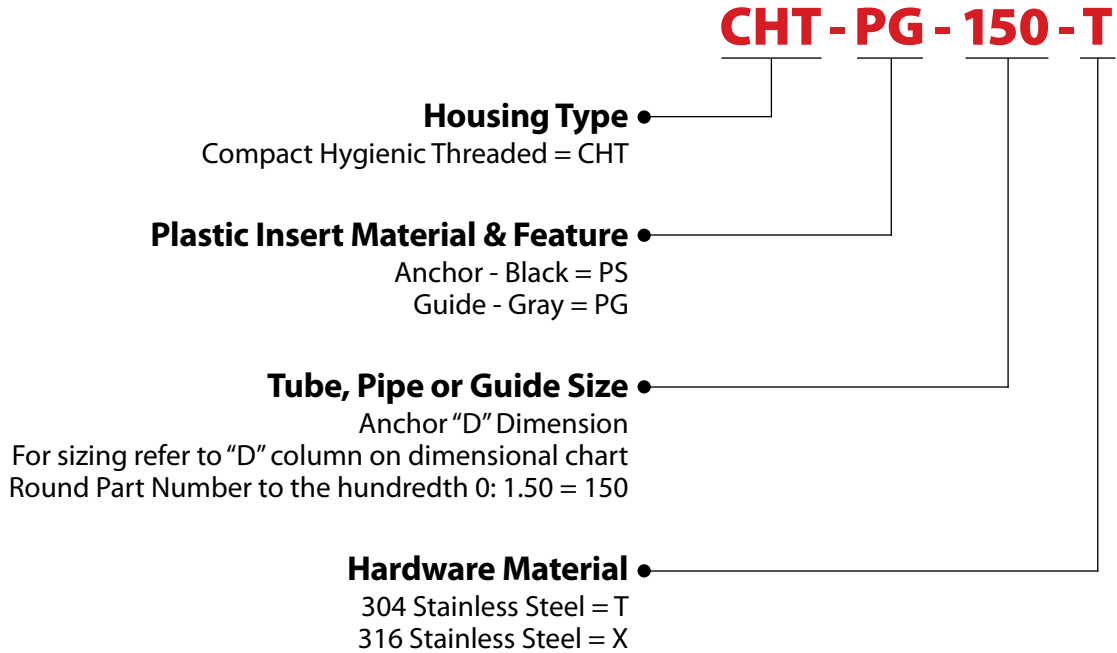


FIG. 221 CHT

THREADED MOUNT HANGER

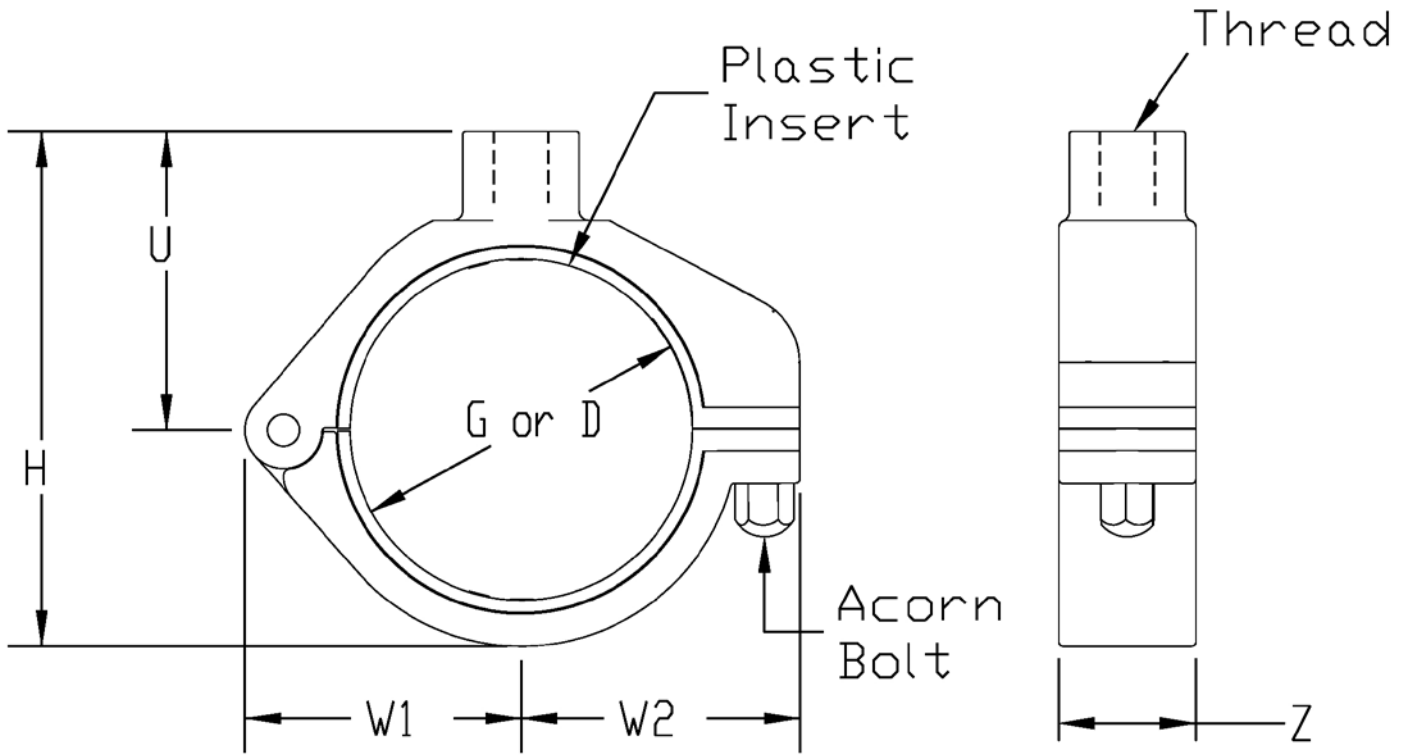


FIG. 221 CHT

THREADED MOUNT HANGER

Group No.	Stainless Tube	Pipe	Copper Tube	Outside Diameter (mm)	221 CHT	UNIVERSAL DIMENSIONS AMONG HOUSINGS			221 CHT						
					Part Number (-PS- as displayed is an Anchor & -PG- would make a Guide)	"D" Anchor Plastic	"G" Guide Plastic	Dimension, in. (mm)						Rod Diameter (Sold Separately)	Weight, lb (kg)
								W1	W2	Z	U	H	Thread		
1	6 mm			6.0	CHT-PS-024-T	0.24	0.27	0.93 (24)	1.02 (26)	0.75 (19)	1.08 (28)	1.67 (42)	3/8"-16 (10)	1/2" (12) B	0.26 (0.12)
	1/4"			6.3	CHT-PS-025-T	0.25	0.29								
	3/8"			9.6	CHT-PS-038-T	0.38	0.40								
	1/2"			12.7	CHT-PS-050-T	0.50	0.54								
2		1/4"		13.7	CHT-PS-054-T	0.54	0.58	1.06 (27)	1.15 (29)	0.75 (19)	1.23 (31)	1.93 (49)	3/8"-16 (10)	1/2" (12) B	0.60 (0.27)
			1/2"	16.0	CHT-PS-063-T	0.63	0.67								
			3/4"	19.0	CHT-PS-075-T	0.75	0.79								
3	20 mm			20.0	CHT-PS-079-T	0.79	0.82	1.20 (31)	1.28 (33)	0.75 (19)	1.35 (34)	2.19 (56)	3/8"-16 (10)	1/2" (12) B	0.33 (0.15)
		1/2"		21.3	CHT-PS-084-T	0.84	0.88								
			3/4"	22.4	CHT-PS-088-T	0.88	0.91								
			1"	25.4	CHT-PS-100-T	1.00	1.04								
4		3/4"		26.7	CHT-PS-105-T	1.05	1.09	1.46 (37)	1.56 (40)	0.75 (19)	1.66 (42)	2.74 (69)	3/8"-16 (10)	1/2" (12) B	0.40 (0.18)
			1"	28.7	CHT-PS-113-T	1.13	1.16								
		1"		33.5	CHT-PS-132-T	1.32	1.35								
			1 1/2"	38.1	CHT-PS-150-T	1.50	1.54								
5	40 mm			40.0	CHT-PS-158-T	1.58	1.61	1.74 (44)	1.79 (46)	0.75 (19)	1.85 (47)	3.18 (81)	3/8"-16 (10)	1/2" (12) B	0.48 (0.22)
			1 1/2"	41.4	CHT-PS-163-T	1.63	1.66								
		1 1/2"		48.3	CHT-PS-190-T	1.90	1.94								
			2"	50.8	CHT-PS-200-T	2.00	2.04								
6	52 mm			52.0	CHT-PS-205-T	2.05	2.10	2.02 (51)	2.04 (52)	1.00 (25)	2.18 (55)	3.77 (96)	3/8"-16 (10)	5/8" (16) C	0.70 (0.32)
			2"	54.0	CHT-PS-213-T	2.13	2.18								
		2"		60.3	CHT-PS-238-T	2.38	2.43								
			2 1/2"	63.5	CHT-PS-250-T	2.50	2.55								
7	70 mm			70.0	CHT-PS-276-T	2.76	2.81	2.27 (58)	2.29 (58)	1.00 (25)	2.34 (59)	4.18 (106)	3/8"-16 (10)	5/8" (16) C	0.76 (0.34)
		2 1/2"		73.1	CHT-PS-288-T	2.88	2.93								
			3"	76.1	CHT-PS-300-T	3.00	3.05								
8			3"	79.5	CHT-PS-313-T	3.13	3.18	2.76 (70)	2.79 (71)	1.00 (25)	3.08 (78)	5.42 (137)	1/2"-13 (12)	3/4" (19) D	0.95 (0.43)
		3"		88.9	CHT-PS-350-T	3.50	3.55								
		4"		101.6	CHT-PS-400-T	4.00	4.05								
8A	104 mm			104.0	CHT-PS-409-T	4.09	4.14	3.00 (76)	3.09 (78)	1.00 (25.4)	3.28 (83)	5.87 (149)	1/2"-13 (12)	3/4" (19) D	0.97 (0.44)
			4"	104.9	CHT-PS-413-T	4.13	4.18								
		4"		114.3	CHT-PS-450-T	4.50	4.55								
9	129 mm			129.0	CHT-PS-508-T	5.08	5.13	3.98 (101)	4.46 (113)	1.50 (38)	4.46 (113)	8.04 (204)	3/4"-10 (19)	1" (25) E	4.20 (1.91)
		6"		152.4	CHT-PS-600-T	6.00	6.05								
10		6"		168.4	CHT-PS-663-X	6.63	6.70	4.13 (105)	4.77 (121)	1.50 (38)	4.79 (122)	8.71 (221)	3/4"-10 (19)	1" (25) E	5.00 (2.26)
11	8"			203.2	CHT-PS-800-X	8.00	8.07	5.14 (130)	5.93 (151)	1.50 (38)	5.87 (149)	10.85 (276)	3/4"-10 (19)	1" (25) E	7.10 (3.22)
		8"		219.2	CHT-PS-863-X	8.63	8.70								

FIG. 221 CHT

THREADED MOUNT HANGER

Provided by:

Holland[®]
APPLIED TECHNOLOGIES
www.hollandapt.com
Phone: 800-800-8464

