

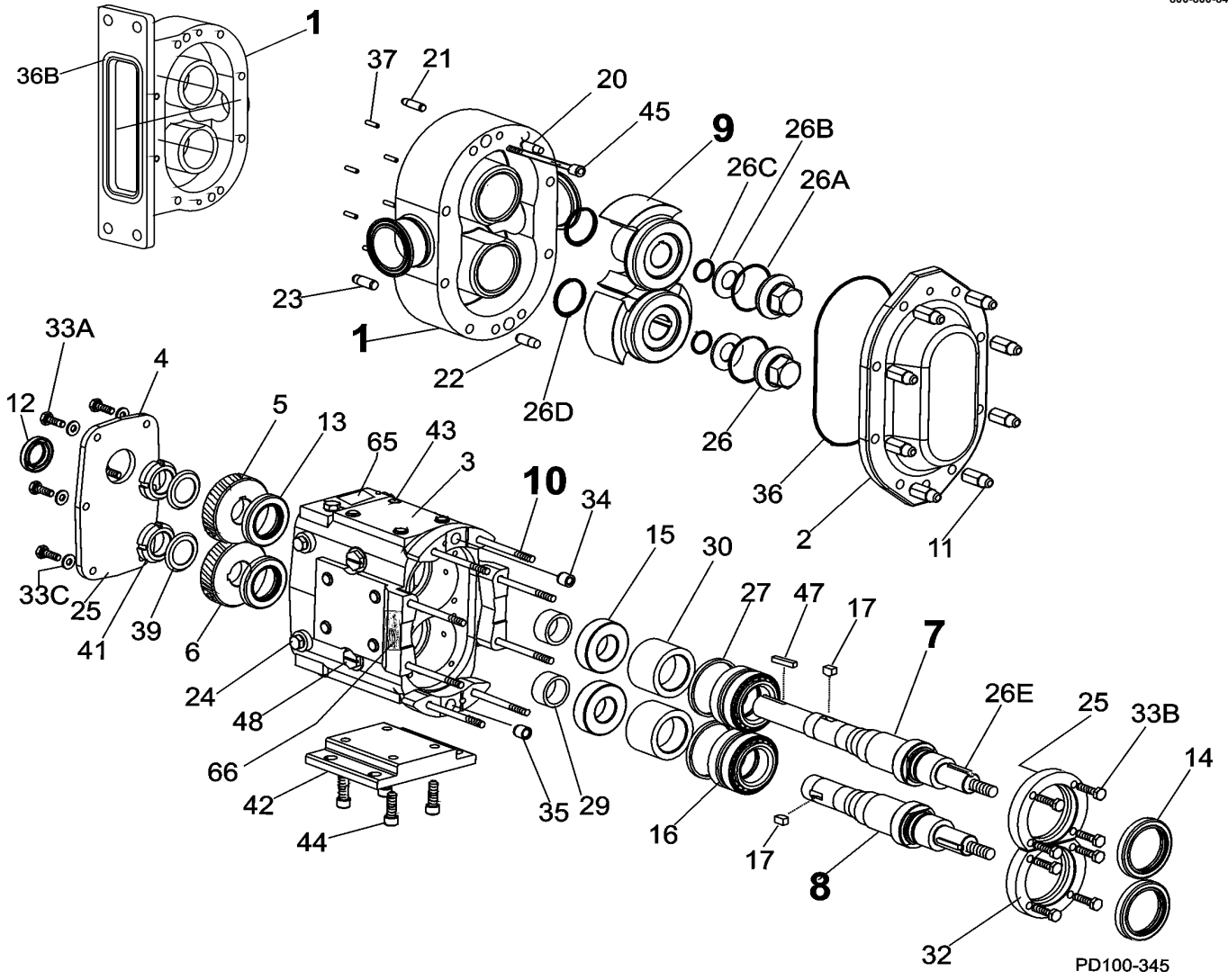
006 - 014 - 015 - 018-U2 PUMP PARTS PRICE LIST

ITEM NO.	DESCRIPTION	QTY. PER PUMP	PART NO.	NOTES
1	006-U2 Pump Body	1	See Note 1	1
	006-U2 Pump Body with Flush	1	See Note 1	1
	014-U2 Rectangular Flange Inlet Body	1	See Note 1	1
	014-U2 Rect. Flange Inlet Body with Flush	1	See Note 1	1
	015-U2 Pump Body	1	See Note 1	1
	015-U2 Pump Body with Flush	1	See Note 1	1
	018-U2 Pump Body	1	See Note 1	1
	018-U2 Pump Body with Flush	1	See Note 1	1
7	006-014-015-U2 Drive Shaft	1	108405	
	018-U2 Drive Shaft	1	108407	
8	006-014-015-U2 Short Shaft	1	108406	
	018-U2 Short Shaft	1	108408	
9	006-U2 Rotor, Twin Wing, Alloy 88	2	101870	2
	006-U2 Rotor, Twin Wing, 316SS	2	102199	2
	014-015-U2 Rotor, Twin Wing, Alloy 88	2	101882	2
	014-015-U2 Rotor, Twin Wing, 316SS	2	102205	2
	015-U2 Rotor, Single Wing, Alloy 88	2	117060	2, 13
	018-U2 Rotor, Twin Wing, Alloy 88	2	101894	2
	018-U2 Rotor, Twin Wing, 316SS	2	102211	2
	018-U2 Rotor, Single Wing, Alloy 88	2	117072	2
10A	006-015-U2 Stud	8	AD0 011 000	
10B	006-015-U2 Stud, Jacketed Cover	8	AD0 011 J00	
10C	014-U2 Stud	6	AD0 011 000	
	014-U2 Stud	2	35547	
10D	014-U2 Stud, Jacketed Cover	6	AD0 011 J00	
	014-U2 Stud, Jacketed Cover	2	35548	
10E	018-U2 Stud	8	101721	
10F	018-U2 Stud, Jacketed Cover	8	107754	

NOTES:

1. Contact Factory with Serial Number of pump for Part Number.
2. Standard clearances and finishes for Rotor Part Numbers shown. Contact Factory for optional clearances and finishes.
13. Single wing rotors can not be used in Rectangular Flange Inlet pumps.

006 - 014 - 015 - 018-U2 Pump Parts Diagram



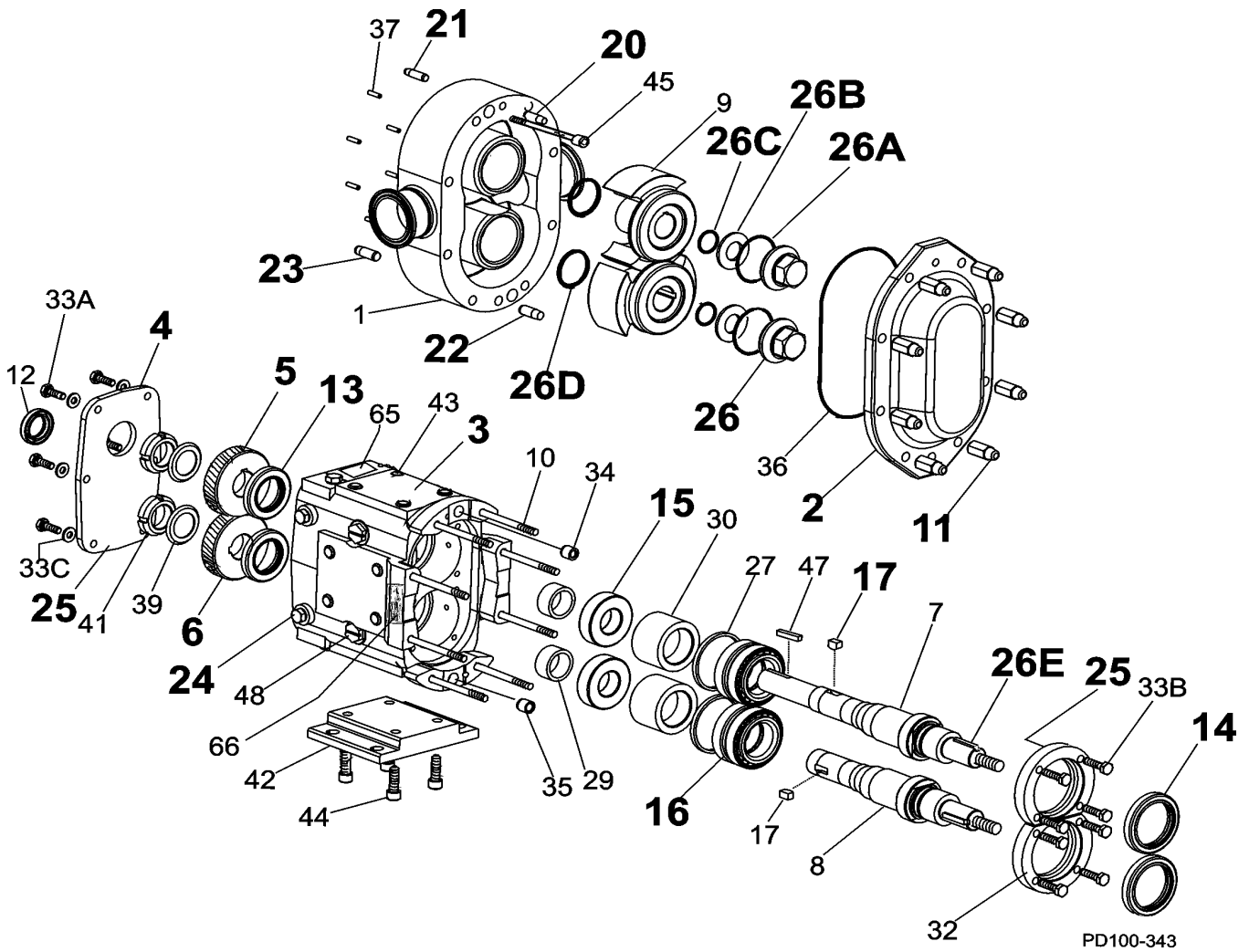
006 - 014 - 015 - 018-U2 COMMON PARTS PRICE LIST

ITEM NO.	DESCRIPTION	QTY. PER PUMP	PART NO.	NOTES
2	Pump Cover	1	101842	
	Jacketed Cover	1	107664	
	Pump Cover Vented - Complete Assembly			
	Manual (over 150 PSI)	1	CVR00108	
	Manual (under 150 PSI)	1	CVR00063	
	Pneumatic Rubber Diaphragm	1	CVR00073	
	Pneumatic Piston	1	CVR00074	
3	Gear Case, CI	1	102276	
	Gear Case, SS; Optional	1	101831	
4	Gear Case Cover, Steel	1	020 106 000	
	Gear Case Cover, SS; Optional	1	102280	
5	Gear, Drive Shaft, Spur	1	107997	
6	Gear, Short Shaft, Spur	1	107997	
11	Hex Nut	8	108369	
	Wing Nut; Optional	8	105850	
12	Oil Seal, Gear Case Cover	1	000 030 016	
13	Oil Seal, Gear Case Rear	2	000 030 017	
14	Grease Seal, Bearing Retainer	2	101716	
	Bearing Isolator Kit, includes SS Bearing Retainer	2	X06638-1	
15	Bearing, Rear	2	015 035 000	
16	Bearing, Front	2	101714	
17	Key, Gear	2	015 037 000	
20	Dowel Pin, Upper Cover Side	1	AD0 040 000	
21	Dowel Pin, Upper Gear Case Side	1	AD0 040 R00	
22	Dowel Pin, Lower Cover Side	1	AD0 040 100	
23	Dowel Pin, Lower Gear Case Side	1	AD0 040 R10	
24	Hex Capscrew; Fill, Drain, Level	6	000 046 002	
25	Silicone Sealant	1	000 142 301	
26	Nut, Rotor	2	101804	
* * * 26A	O-Ring, Rotor Nut, Buna N	2	N70126	
	O-Ring, Rotor Nut, EPDM	2	E70126	
	O-Ring, Rotor Nut, FKM	2	V70126	
26B	Washer, Belleville	2	101691	
* * * 26C	O-Ring, Retainer, Buna N	2	N70112	
	O-Ring, Retainer, EPDM	2	E70112	
	O-Ring, Retainer, FKM	2	V70112	
* * * 26D	O-Ring, Rotor Hub, Buna N	2	N70121	
	O-Ring, Rotor Hub, EPDM	2	E70121	
	O-Ring, Rotor Hub, FKM	2	V70121	
* 26E	006-014-015-U2 Key, Rotor	2	101817	
	018-U2 Key, Rotor	2	101819	

NOTES:

* Recommended Spare Parts

006 - 014 - 015 - 018-U2 Common Parts Diagram



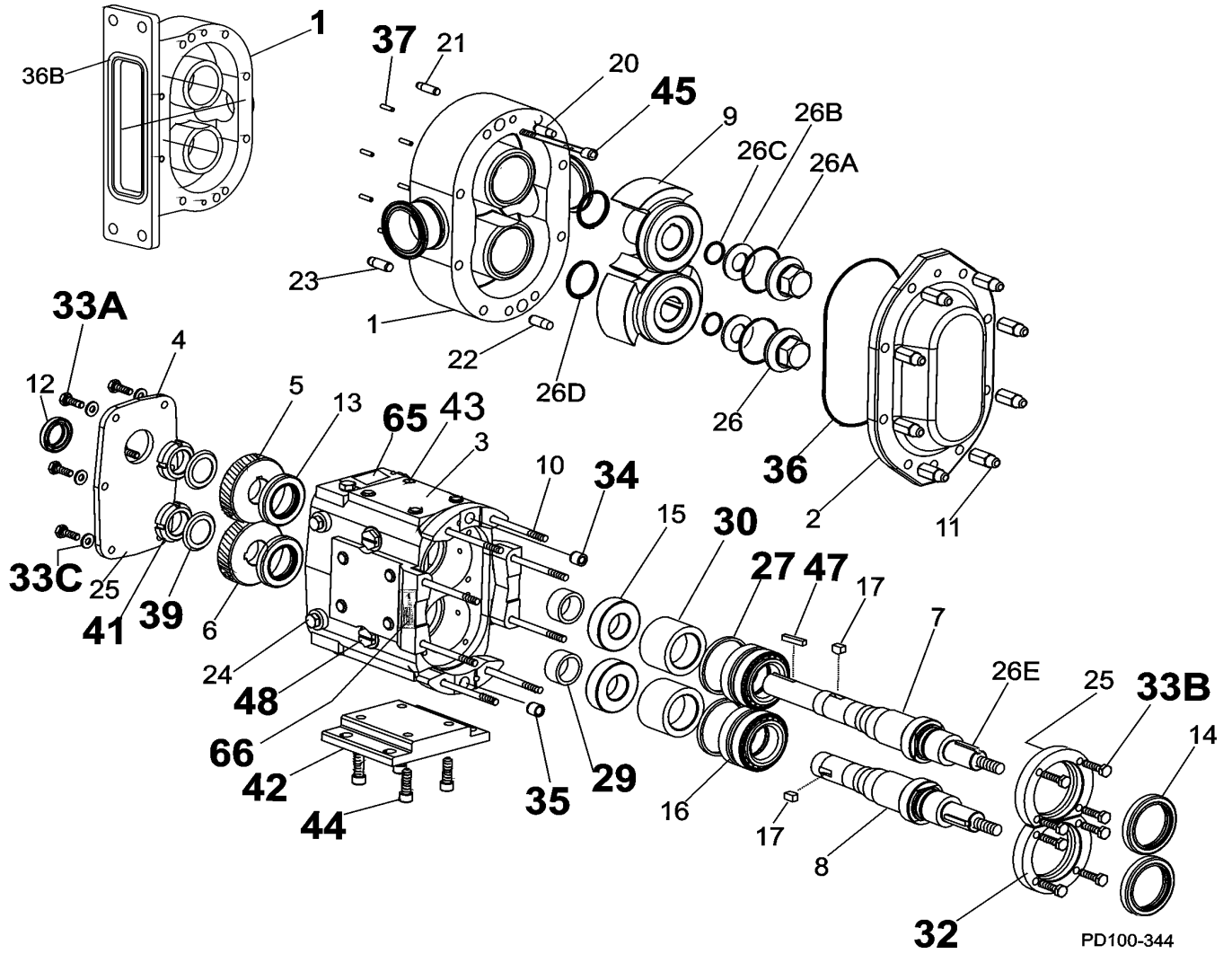
006 - 014 - 015 - 018-U2 COMMON PARTS PRICE LIST

ITEM NO.	DESCRIPTION	QTY. PER PUMP	PART NO.	NOTES
27	Shim Kit	2	117889	
29	Spacer, Gear to Rear Bearing	2	015 055 000	
30	Bearing Spacer	2	101814	
32	Bearing Retainer, Front	2	101810	
33A, 33B	1/4-20 x .75" HHCS, STD	14	30-287	
	1/4-20 x .75" HHCS, SS	14	30-58	
33C	1/4" Flat Washer	6	43-108	
34	Dowel Bushing, Upper	1	AD0 116 000	
35	Dowel Bushing, Lower	1	AD0 116 100	
* * *	O-Ring, Pump Cover, Buna N	1	N70249	
	O-Ring, Pump Cover, EPDM	1	E70249	
	O-Ring, Pump Cover, FKM	1	V70249	
36B	014-U2 O-Ring, Rectangular Flange	1	N70241	
37	Stop Pin, Seal	6	101718	
39	Lockwasher, Gear	2	STD 136 005	
41	Locknut, Gear	2	STD 236 005	
42	Gear Case Shim, CI	1	020 110 000	
	Gear Case Shim, SS; Optional	1	102284	
	Pump Pedestal, 6.75", Optional	1	014 110 675	
43	Plastic Cap Plug	8	000 121 003	
44	5/16-18 x 1" SHCS	4	30-343	
	5/16-18 x 1" SHCS, SS; Optional	4	30-525	
45	006-014-015-U2 Body Retaining Screw, 1/4-20 x 1-1/4"	2	30-523	
	018-U2 Body Retaining Screw, 1/4-20 x 2"	2	30-211	
47	Key, Coupling - 3/16 x 3/16 x 1-1/8"	1	000 037 001	
48	Cleanout Plug	2	35824	
61	Name Plate, Sanitary	1	001 061 002	
62	#2 x .125" RHDS	4	30-355	
65	Caution Plate	2	33-62	
66	Warning Label	2	33-63	
67	006-015-018-U1 Grease Fitting, 1/8"	4	BD0 092 000	
	014-U1 Grease Fitting, 1/8"	4	BD0 092 100	
68	Plastic Cap, Grease Fitting	4	BD0 093 000	

NOTES:

* Recommended Spare Parts

006 - 014 - 015 - 018-U2 Common Parts Diagram



PD100-344

006 - 014 - 015 - 018-U2 SEAL PRICE LIST

ITEM NO.	DESCRIPTION	QTY. PER PUMP	PART NO.	NOTES
MECHANICAL SEAL PARTS				
* 91	O-Ring, Inner Seal, Buna N	2	N70028	25
* 91	O-Ring, Body, EPDM	2	E70028	25
* 91	O-Ring, Body, FKM	2	V70028	
* 92	O-Ring, Shaft, Buna N	2	N70024	25
* 92	O-Ring, Shaft, EPDM	2	E70024	25
* 92	O-Ring, Shaft, FKM	2	V70024	
* 93	Seal Seat, Ceramic	2	101667	
* 93	Seal Seat, Silicon Carbide	2	101668	
* 94	Seal Inner, Carbon	2	101651	
* 94	Seal Inner, Ceramic	2	101652	
* 94	Seal Inner, Silicon Carbide	2	101653	
* 94	Seal Inner, Tungsten Carbide	2	101654	
95	Wave Spring, Inner Seal	2	101683	
* 96	O-Ring, Outer Seal, Buna N	2	N70035	8
* 96	O-Ring, Outer Seal, EPDM	2	E70035	
* 96	O-Ring, Outer Seal, FKM	2	V70035	
97	Wave Spring, Outer Seal	2	101684	8
* 98	Outer Seal, Carbon	2	101679	8

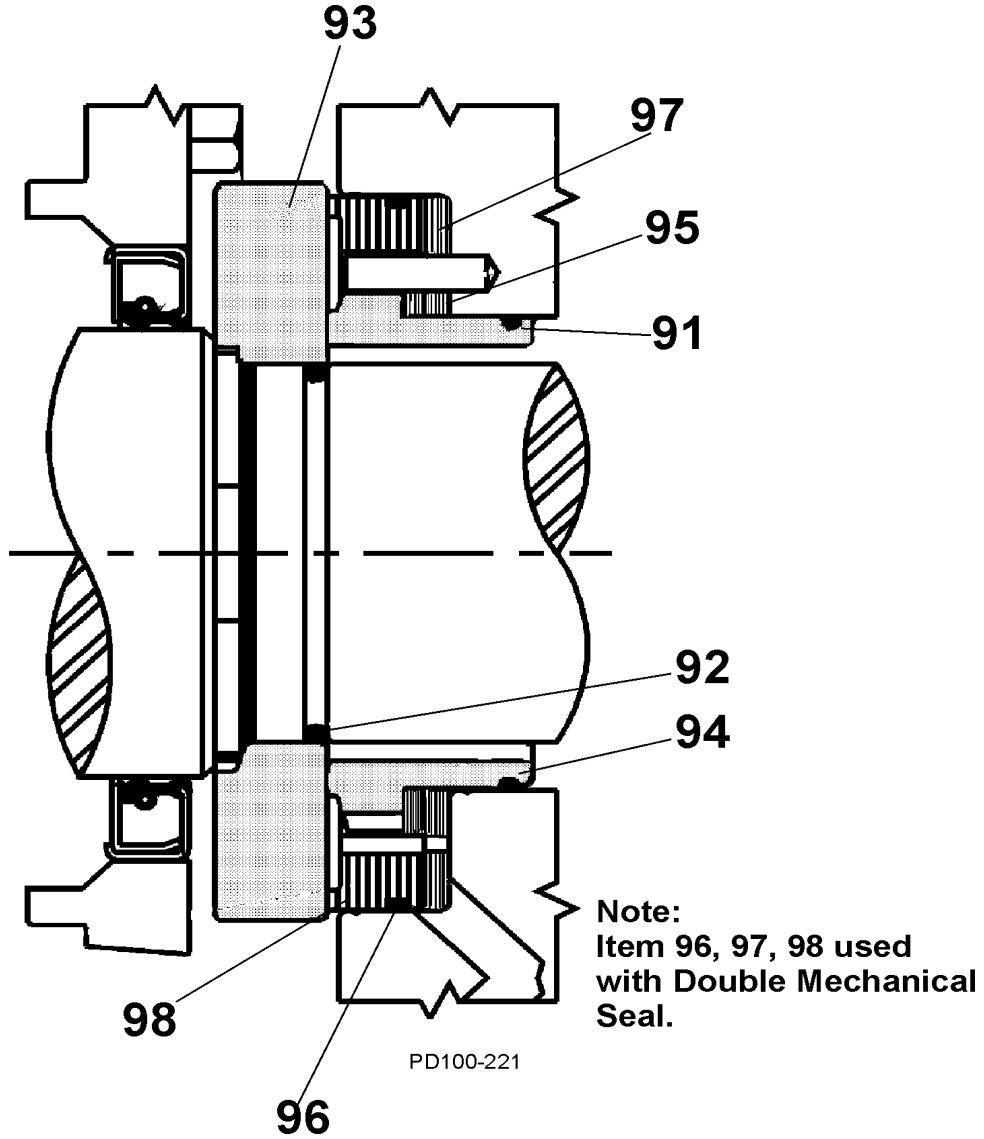
NOTES:

8. Used with Double Mechanical Seal.

25. Sold in packages of 25 only.

* **Recommended Spare Parts**

006 - 014 - 015 - 018-U2 Seal Parts Diagram



006 - 014 - 015 - 018-U2 VENTED COVER PRICE LIST

ITEM NO.	DESCRIPTION	QTY. PER PUMP	PART NO.	NOTES
MANUAL VENTED COVER				
101	Vented Cover	1	103669	
102	Adjusting Screw	1	AD0 072 000	
103	Spring Plunger	1	AD0 073 000	
104	Locknut	1	AD0 074 000	
105	Spring, Medium (less than 150 PSI)	1	AD0 076 000	
	Spring, High (more than 150 PSI)	1	ABB 076 100	
106	Diaphragm Bushing	1	AD0 077 000	
107	Cover Nut	1	AD0 075 000	
* 108	Rubber Diaphragm, Buna N	1	AD0 078 000	
PNEUMATIC VENTED COVER				
101	Vented Cover	1	103669	
* 108	Diaphragm, Buna N	1	AD0 078 000	
110	Diaphragm Bushing	1	AD0 077 P00	
111	Cover Nut	1	AD0 075 P00	
PISTON VENTED COVER				
101	Vented Cover	1	103669	
112	Piston	1	AD0 073 P10	
* 113	O-Ring, Bushing Seal, Buna N	1	N70223	
114	Diaphragm Bushing	1	AD0 077 P10	
* 115	O-Ring, Nut Seal, Buna N	1	N70224	
116	Cover Nut	1	AD0 075 P10	
* 117	Piston Seal, Quad Ring	1	AD0 133 000	9
* 117	Piston Seal, O-Ring	1	N70218	9

NOTES:

9. Quad Ring and O-Ring can be interchanged.

* **Recommended Spare Parts**

006 - 014 - 015 - 018-U2 Vented Cover Parts Diagram

