

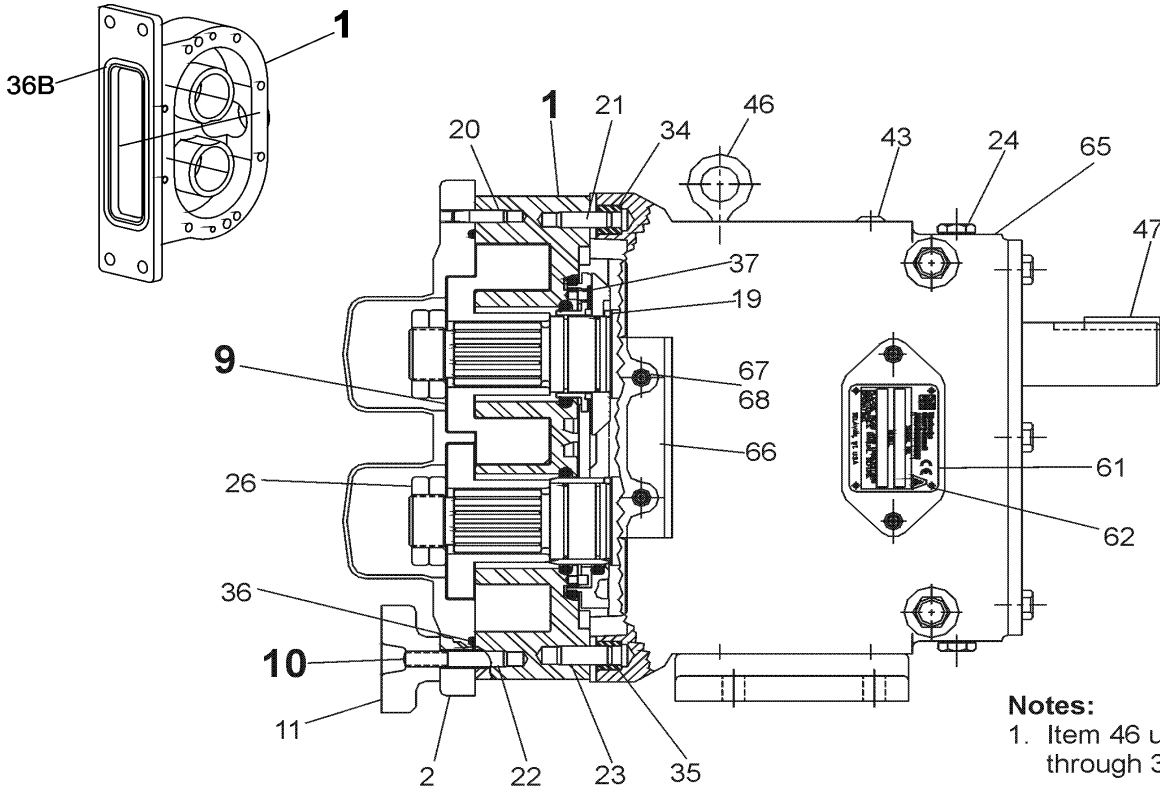
006 - 014 - 015 - 018 - 024-U1 PUMP PARTS PRICE LIST

ITEM NO.	DESCRIPTION	QTY. PER PUMP	PART NO.	NOTES
1	006-U1 Pump Body	1	See Note 1	1
	006-U1 Pump Body with Flush	1	See Note 1	1
	015-U1 Pump Body	1	See Note 1	1
	015-U1 Pump Body with Flush	1	See Note 1	1
	014-U1 Rectangular Flange Inlet Body	1	See Note 1	1
	014-U1 Rect. Flange Inlet Body with Flush	1	See Note 1	1
	018-U1 Pump Body	1	See Note 1	1
	018-U1 Pump Body with Flush	1	See Note 1	1
	024-U1 Rectangular Flange Inlet Body	1	See Note 1	1
	024-U1 Rect. Flange Inlet Body with Flush	1	See Note 1	1
7	006-014-015-U1 Drive Shaft	1	015 008 000	3
	006-014-015-U1 Drive Shaft	1	114642	4
	018-024-U1 Drive Shaft	1	018 008 000	3
	018-024-U1 Drive Shaft	1	114644	4
8	006-014-015-U1 Short Shaft	1	015 009 000	3
	006-014-015-U1 Short Shaft	1	114643	4
	018-024-U1 Short Shaft	1	018 009 000	3
	018-024-U1 Short Shaft	1	114645	4
9	006-U1 Rotor, Twin Wing, Alloy 88	2	006 010 000	2
	006-U1 Rotor, Twin Wing, 316SS	2	006 010 200	2
	006-U1 Rotor, Single Wing, Alloy 88	2	117238	2, 12
	014-015-U1 Rotor, Twin Wing, Alloy 88	2	015 010 000	2
	014-015-U1 Rotor, Twin Wing, 316SS	2	015 010 200	2
	015-U1 Rotor, Single Wing, Alloy 88	2	117255	2, 12A, 13
	018-024-U1 Rotor, Twin Wing, Alloy 88	2	018 010 000	2
	018-024-U1 Rotor, Twin Wing, 316SS	2	018 010 200	2
018-U1 Rotor, Single Wing, Alloy 88	2	117273	2, 12B, 13	
10A	006-015-U1 Stud	8	AD0 011 000	
10B	006-015-U1 Stud, Jacketed Cover	8	AD0 011 J00	
10C	014-U1 Stud	6	AD0 011 000	
	014-U1 Stud	2	35547	
10D	014-U1 Stud, Jacketed Cover	6	AD0 011 J00	
	014-U1 Stud, Jacketed Cover	2	35548	
10E	018-U1 Stud	8	018 011 000	
10F	018-U1 Stud, Jacketed Cover	8	AD0 011 100	
10G	024-U1 Stud	6	018 011 000	
	024-U1 Stud	2	35547	
10H	024-U1 Stud, Jacketed Cover	6	AD0 011 100	
	024-U1 Stud, Jacketed Cover	2	35548	
	Stud Retainer Assembly	1	020 064 000	5

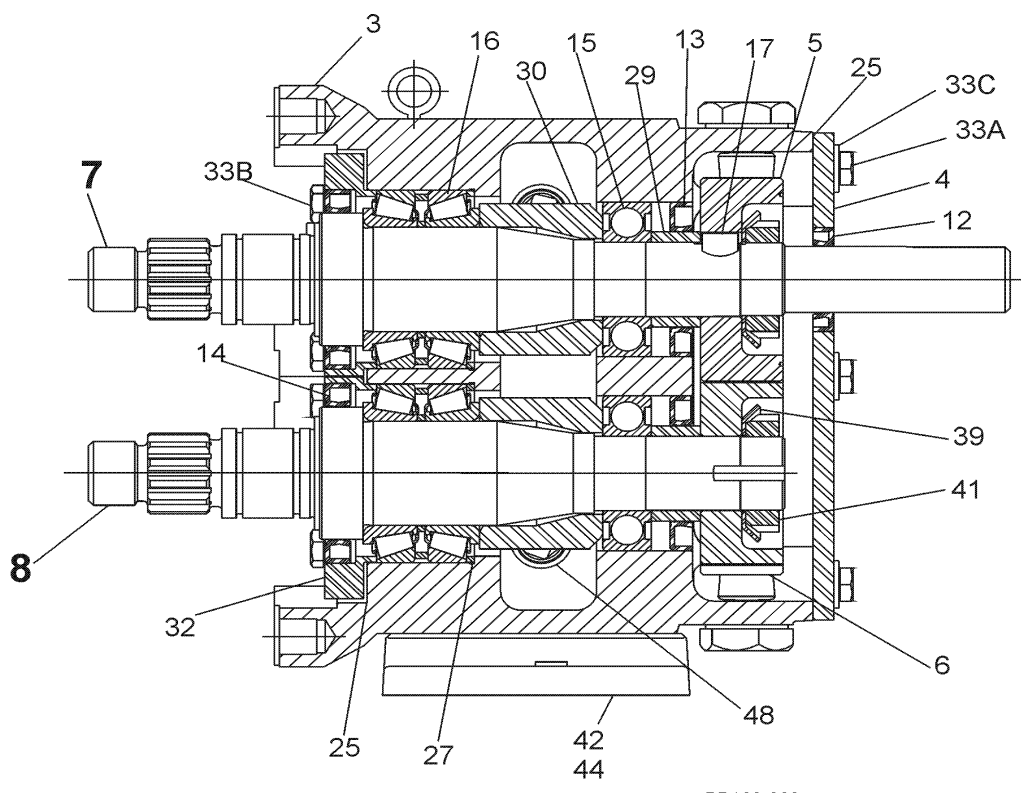
NOTES:

- Contact Factory with Serial Number of pump for Part Number.
- Standard clearances and finishes for Rotor Part Numbers shown. Contact Factory for optional clearances and finishes.
- Pumps shipped prior to July 30, 2001.
- Pumps shipped starting July 30, 2001.
- No longer manufactured, consult factory for upgrade of gear case subassembly.
- Replaces 006 010 010 straight and 006 010 090 90° (degree) rotors.
- 12A. Replaces 015 010 010 straight and 015 010 090 90° (degree) rotors.
- 12B. Replaces 018 010 010 straight and 018 010 090 90° (degree) rotors.
- Single wing rotors can not be used in Rectangular Flange Inlet pumps.

006 - 014 - 015 - 018 - 024-U1 Pump Parts Diagram



Notes:
 1. Item 46 used on 60 through 320.



PD100-308

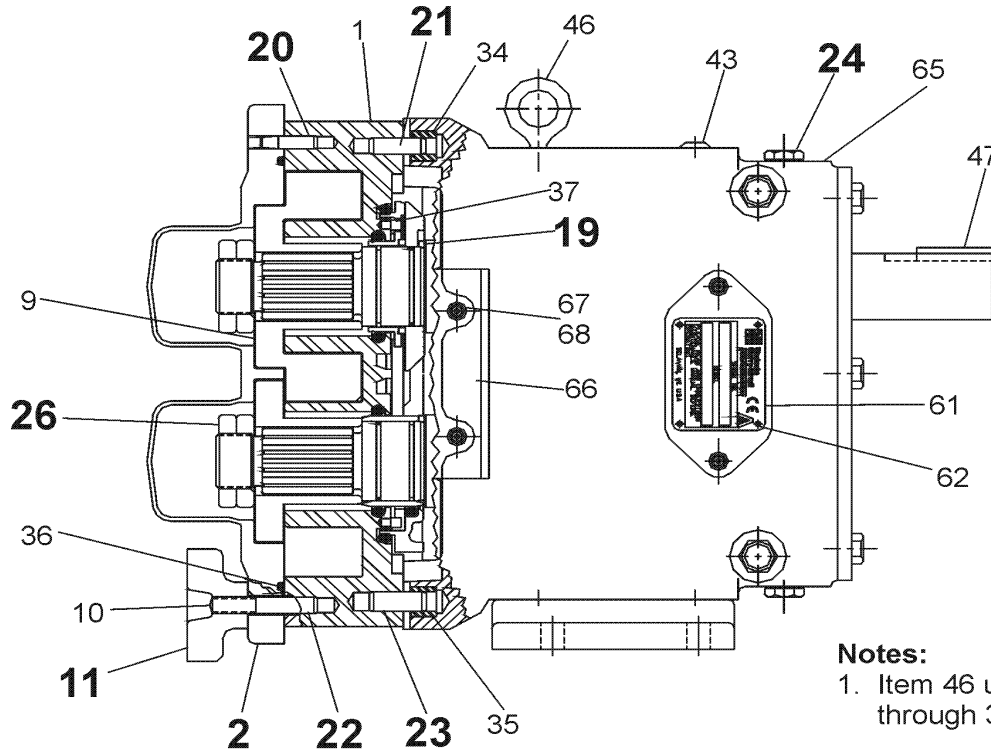
006 - 014 - 015 - 018 - 024-U1 COMMON PARTS PRICE LIST

ITEM NO.	DESCRIPTION	QTY. PER PUMP	PART NO.	NOTES
2	Pump Cover	1	AD0 002 S00	
	Jacketed Cover	1	AD0 002 J10	
	Pump Cover Vented - Complete Assembly			
	Manual (over 150 PSI)	1	CVR00027	
	Manual (under 150 PSI)	1	CVR00006	
	Pneumatic	1	CVR00004	
	Piston	1	CVR00005	
3	Gear Case, CI	1	020 005 000	3, 5
	Gear Case, SS; Optional	1	101830	3, 5
	Gear Case, CI	1	102276	4
	Gear Case, SS; Optional	1	101831	4
4	Gear Case Cover, Steel	1	020 106 000	
	Gear Case Cover, SS; Optional	1	102280	
5	Gear, Drive Shaft, Spur	1	107997	
6	Gear, Short Shaft, Spur	1	107997	
11	Wing Nut	8	105850	
	Hex Nut, optional	8	108369	
12	Oil Seal, Gear Case Cover	1	000 030 016	
13	Oil Seal, Gear Case Rear	2	000 030 017	
14	Grease Seal, Bearing Retainer	2	000 030 018	3
	Grease Seal, Bearing Retainer	2	121679	4
	Bearing Isolator Kit, includes Bearing Retainer	2	X06636-1	3
	Bearing Isolator Kit, includes Bearing Retainer	2	X06638-1	4
15	Bearing, Rear	2	015 035 000	
16	Bearing, Front	2	015 036 000	3
	Bearing, Front	2	101714	4
17	Key, Gear	2	015 037 000	
19	Drive Pin, Seal Seat and Sleeve	2	CD0 126 000	
20	Dowel Pin, Upper Cover Side	1	AD0 040 000	
21	Dowel Pin, Upper Gear Case Side	1	AD0 040 R00	
22	Dowel Pin, Lower Cover Side	1	AD0 040 100	
23	Dowel Pin, Lower Gear Case Side	1	AD0 040 R10	
24	Fill, Drain, Level Plug	6	000 046 002	
25	Silicone Sealant	1	000 142 301	
26	Jam Nut, Rotor	4	AD0 052 001	
27	Shim, Front Bearing	AR	015-054-XXX	3
	Shim Kit	2	117889	4
29	Spacer, Gear to Rear Bearing	2	015 055 000	
30	Bearing Spacer	2	015 055 001	3
	Bearing Spacer	2	101814	4

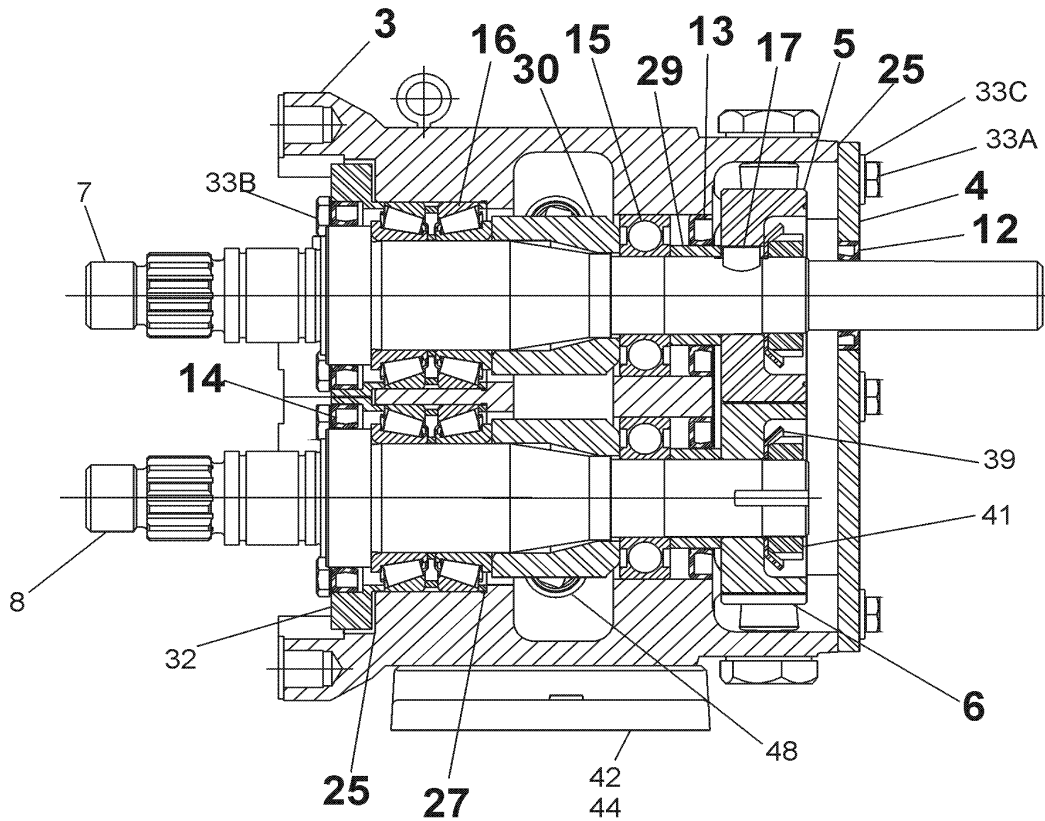
NOTES:

3. Pumps shipped prior to July 30, 2001.
4. Pumps shipped starting July 30, 2001
5. No longer manufactured, consult factory for upgrade of gear case subassembly.

006 - 014 - 015 - 018 - 024-U1 Common Parts Diagram



Notes:
 1. Item 46 used on 60 through 320.



PD100-309

006 - 014 - 015 - 018 - 024-U1 COMMON PARTS PRICE LIST

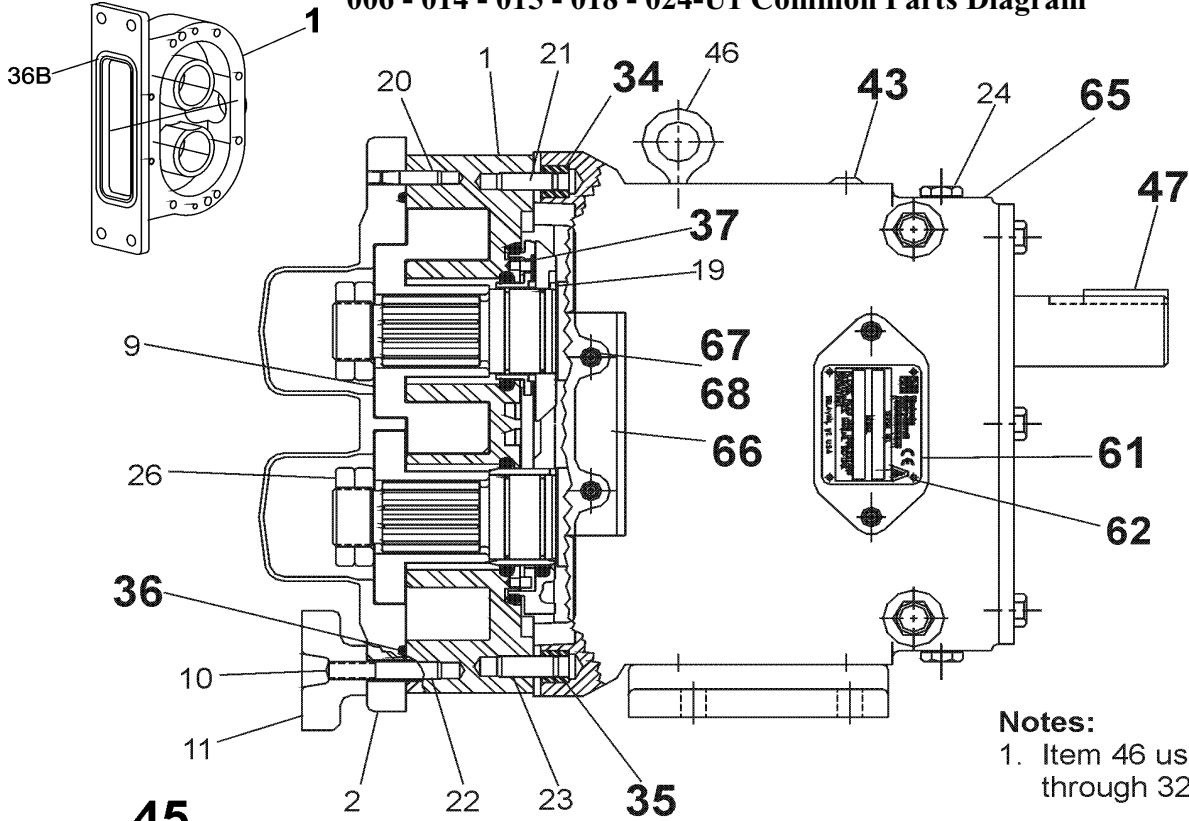
ITEM NO.	DESCRIPTION	QTY. PER PUMP	PART NO.	NOTES
32	Bearing Retainer, Front	2	015 080 000	3
	Bearing Retainer, Front	2	101810	4
33A, 33B	1/4-20 x .75" HHCS, Standard	14	30-287	
	1/4-20 x .75" HHCS, SS	14	30-58	
33C	1/4" Flat Washer, Gear Case Cover	6	43-108	
34	Dowel Bushing, Upper	1	AD0 116 000	
35	Dowel Bushing, Lower	1	AD0 116 100	
* 36	O-Ring, Pump Cover, Buna N	1	N70252	
	O-Ring, Pump Cover, EPDM	1	E70252	
	O-Ring, Pump Cover, FKM	1	V70252	
	O-Ring, Pump Cover, Silicone	1	S75251	
* 36B	014-U1 O-Ring, Rectangular Flange	1	N70241	
	024-U1 O-Ring, Rectangular Flange	1	N70241	14
	024-U1 O-Ring, Rectangular Flange	1	N70245	14
37	Stop Pin, Seal	2	015 126 000	
39	Lockwasher, Gear	2	STD 136 005	
41	Locknut, Gear	2	STD 236 005	
42	Gear Case Shim, CI	1	020 110 000	
	Gear Case Shim, SS; Optional	1	102284	
	Pump Pedestal, 6.75"; Optional	1	014 110 675	
43	Plastic Cap Plug	8	000 121 003	
44	5/16-18 x 1" SHCS, Standard	4	30-343	
	5/16-18 x 1" SHCS, SS	4	30-525	
45	006-014-015-U1 Body Retaining Screw, Opt.	2	30-523	15
	018-024-U1 Body Retaining Screw, Optional	2	30-211	15
47	Key, Coupling - 3/16 x 3/16 x 1-1/8"	1	000 037 001	
48	Cleanout Plug	2	35824	
61	Name Plate, Sanitary	1	001 061 002	
62	#2 x .125" RHDS	4	30-355	
63	O-Ring Removal Tool	1	AD0 096 001	
64	Rotor Nut Wrench, SS	1	109895	
	Rotor Nut Wrench, Jacketed Cover	1	AD0 019 001	
65	Caution Plate	2	33-62	
66	Warning Label	2	33-63	
67	006, 015, 018 - U1 Grease Fitting, 1/8"	4	BD0 092 000	
	014-024-U1 Grease Fitting, 1/8"	4	BD0 092 100	
68	Plastic Cap, Grease Fitting	4	BD0 093 000	

NOTES:

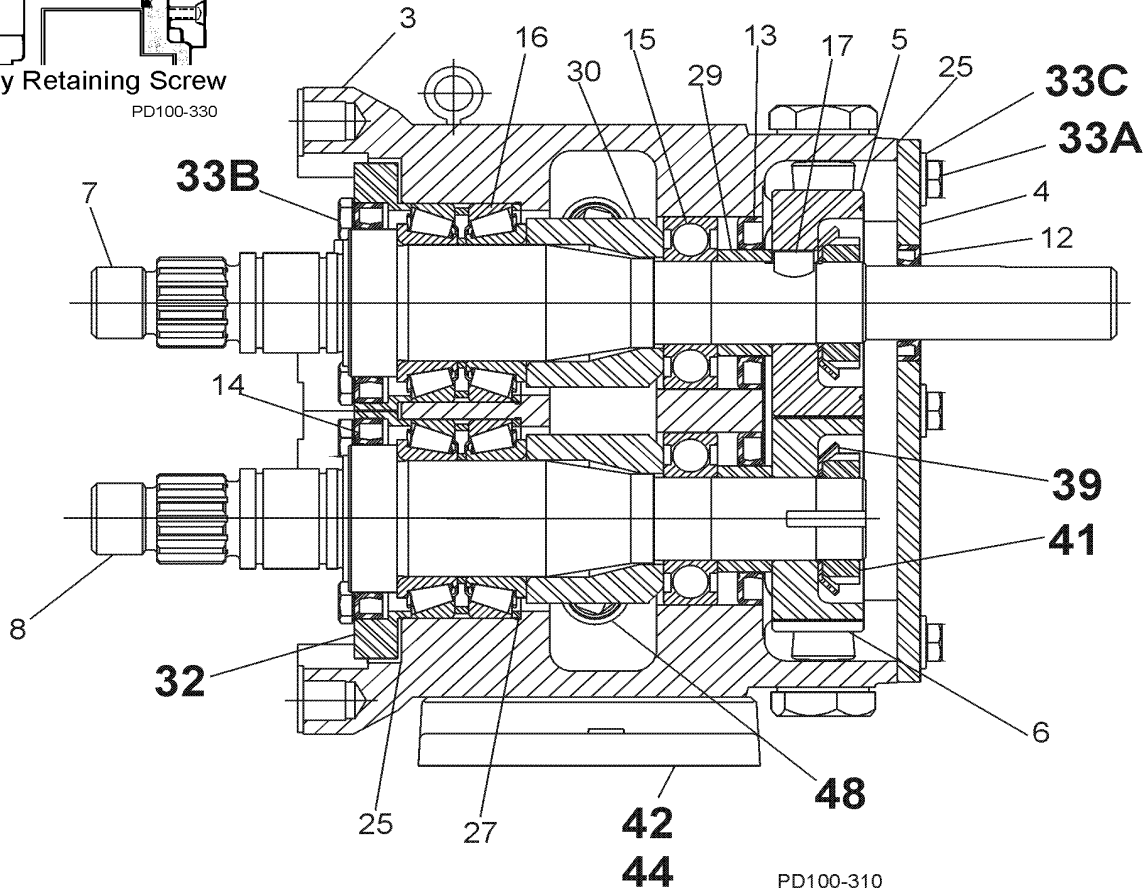
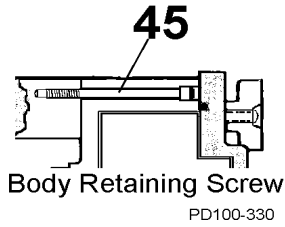
- 3. Pumps shipped prior to July 30, 2001.
- 4. Pumps shipped starting July 30, 2001.
- 14. New O-Rings N70245 (024) introduced in 2001. Fits close to inlet opening.
- 15. New standard for Rectangular Flange Inlet pumps. Optional for standard inlet pumps. Body must be drilled at factory to use.

*** Recommended Spare Parts**

006 - 014 - 015 - 018 - 024-U1 Common Parts Diagram



Notes:
 1. Item 46 used on 60 through 320.



PD100-310

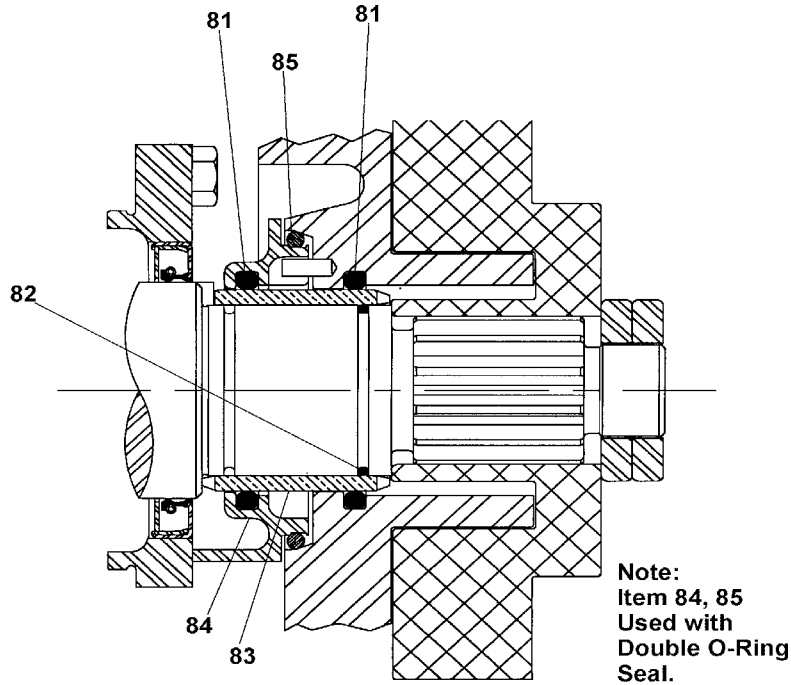
006 - 014 - 015 - 018 - 024-U1 SEAL PRICE LIST

ITEM NO.	DESCRIPTION	QTY. PER PUMP	PART NO.	NOTES
O-RING AND MECHANICAL SEAL PARTS				
* 81	O-Ring, Body, Buna N	2	AD0 079 000	6, 25
* 81	O-Ring, Body, EPDM	2	AD0 079 002	6, 25
* 81	O-Ring, Body, FKM	2	AD0 079 V00	6
* 81	O-Ring, Body, Silicone	2	AD0 079 SC0	6
* 82	O-Ring, Shaft, Buna N	2	N70022	25
* 82	O-Ring, Shaft, EPDM	2	E70022	25
* 82	O-Ring, Shaft, FKM	2	V70022	25
* 82	O-Ring, Shaft, Silicone	2	S75022	25
* 83	Sleeve, SS	2	015 098 000	
* 83	Sleeve, Zirconia	2	015 098 004	
* 83	Sleeve, Chrome Oxide	2	015 098 002	
84	O-Ring Seal Carrier	2	015 034 000	7
* 85	O-Ring, Outer, Buna N - Seal Carrier	2	N50228	7, 8
* 86	Seal Seat, Ceramic	2	015 014 002	
* 86	Seal Seat, Chrome Oxide	2	015 014 001	
* 86	Seal Seat, Silicon Carbide	2	015 014 009	
* 87	Seal Inner, Carbon (2 piece)	2	015 306 001	
* 87	Seal Inner, Carbon (1 piece)	2	015 306 007	
* 87	Seal Inner, Ceramic	2	40635	
* 87	Seal Inner, Chrome Oxide	2	015 306 002	
* 87	Seal Inner, Silicon Carbide	2	015 306 009	
88	Wave Spring	2	015 304 000	
* 89	Outer Seal, Carbon (1 piece)	2	015 206 007	8

NOTES:

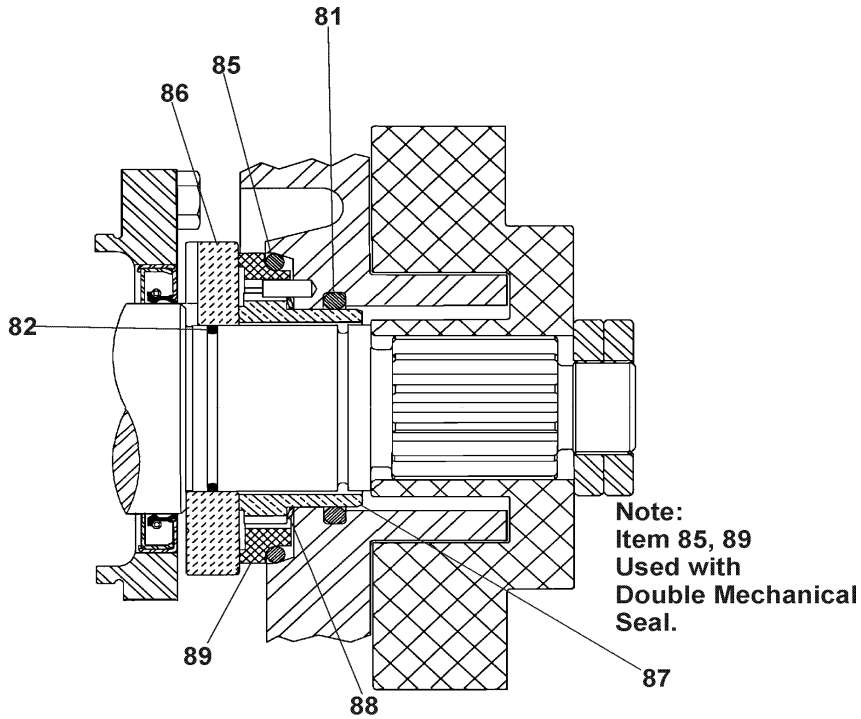
- 6. (4) needed per pump with double O-ring Seal.
- 7. Used with double O-Ring Seal.
- 8. Used with double Mechanical Seal.
- 25. Sold in Packages of 25 only.
- * **Recommended Spare Parts**

O-Ring Seal



PD100-301

Mechanical Seal



PD100-302

006 - 014 - 015 - 018 - 024-U1 VENTED COVER PRICE LIST

ITEM NO.	DESCRIPTION	QTY. PER PUMP	PART NO.	NOTES
MANUAL VENTED COVER				
101	Vented Cover	1	AD0 002 VS0	
102	Adjusting Screw	1	AD0 072 000	
103	Spring Plunger	1	AD0 073 000	
104	Locknut	1	AD0 074 000	
105	Spring, Medium (less than 150 PSI)	1	AD0 076 000	
	Spring, High (more than 150 PSI)	1	ABB 076 100	
106	Diaphragm Bushing	1	AD0 077 000	
107	Cover Nut	1	AD0 075 000	
* 108	Rubber Diaphragm, Buna N	1	AD0 078 000	
PNEUMATIC VENTED COVER				
101	Vented Cover	1	AD0 002 VS0	
* 108	Rubber Diaphragm, Buna N	1	AD0 078 000	
110	Diaphragm Bushing	1	AD0 077 P00	
111	Cover Nut	1	AD0 075 P00	
PISTON VENTED COVER				
101	Vented Cover	1	AD0 002 VS0	
112	Piston	1	AD0 073 P10	
* 113	O-Ring, Bushing Seal, Buna N	1	N70223	
114	Diaphragm Bushing	1	AD0 077 P10	
* 115	O-Ring, Nut Seal, Buna N	1	N70224	
116	Cover Nut	1	AD0 075 P10	
* 117	Piston Seal, Quad Ring	1	AD0 133 000	9
* 117	Piston Seal, O-Ring	1	N70218	9

NOTES:

9. Quad Ring and O-ring can be interchanged.

* **Recommended Spare Parts**

006 - 014 - 015 - 018 - 024-U1 Vented Cover Diagrams

