

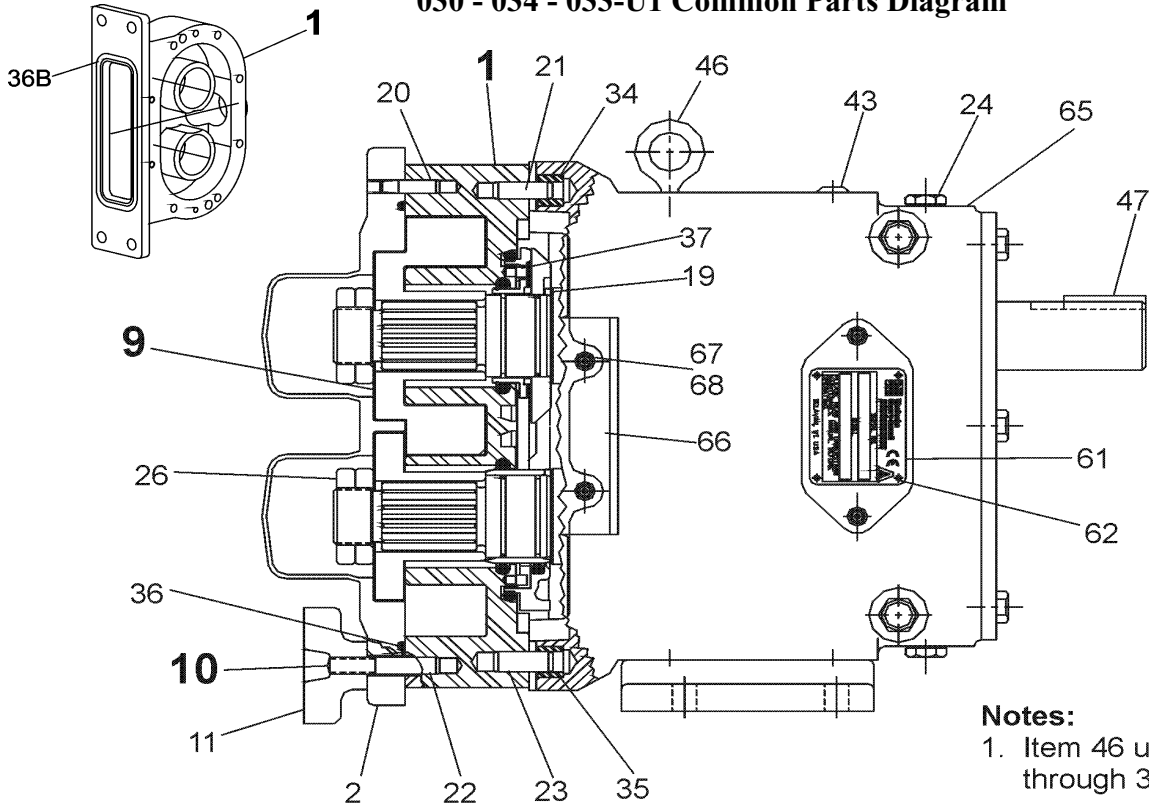
030 - 034 - 033-U1 PUMP PARTS PRICE LIST

ITEM NO.	DESCRIPTION	QTY. PER PUMP	PART NO.	NOTES
1	030-U1 Pump Body	1	See Note 1	1
	030-U1 Pump Body with Flush	1	See Note 1	1
	034-U1 Rectangular Flange Inlet Body	1	See Note 1	1
	034-U1 Rect. Flange Inlet Body with Flush	1	See Note 1	1
	033-U1 Pump Aseptic Body	1	033 001 020	
7	030-034-U1 Drive Shaft, Std.	1	030 008 000	3
	030-034-U1 Drive Shaft, Optional 17-4PH	1	35341	3
	030-034-U1 Drive Shaft, Std.	1	114646	4
	030-034-U1 Drive Shaft, Optional 17-4PH	1	114779	4
	033-U1 Drive Shaft, Std.	1	033 008 000	3
	033-U1 Drive Shaft, Std.	1	114648	4
8	030-034-U1 Short Shaft, Std.	1	030 009 000	3
	030-034-U1 Short Shaft, Optional 17-4PH	1	35342	3
	030-034-U1 Short Shaft, Std.	1	114647	4
	030-034-U1 Short Shaft, Optional 17-4PH	1	114780	4
	033-U1 Short Shaft, Std.	1	033 009 000	3
	033-U1 Short Shaft, Std.	1	114649	4
9	030-034-U1 Rotor, Twin Wing, Alloy 88	2	030 010 000	2
	030-034-U1 Rotor, Twin Wing, 316SS	2	030 010 200	2
	030-U1 Rotor, Single Wing, Alloy 88	2	117291	2, 12, 13
	033-U1 Rotor, Twin Wing, Alloy 88	2	33A 010 000	2
	033-U1 Rotor, Single Wing, Alloy 88	2	117326	2, 12A
10A	030-033-U1 Stud	8	108842	
10B	030-033-U1 Stud, Jacketed Cover	8	108845	
10C	034-U1 Stud	6	108842	
	034-U1 Stud	2	35555	
10D	034-U1 Stud, Jacketed Cover	6	108845	
	034-U1 Stud, Jacketed Cover	2	35549	
	Stud Retainer Assembly	1	040 064 000	5

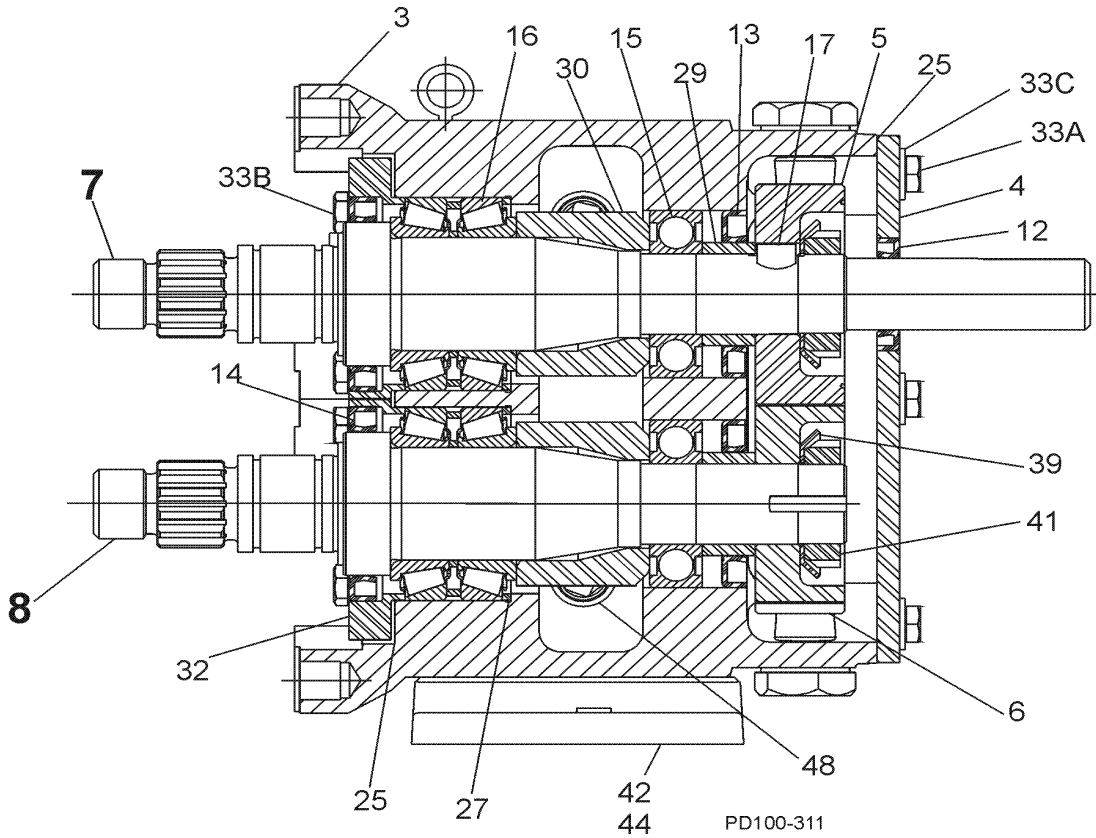
NOTES:

1. Contact Factory with Serial Number of pump for Part Number.
2. Standard clearances and finishes for Rotor Part Numbers shown. Contact Factory for optional clearances and finishes.
3. Pumps shipped prior to July 30, 2001.
4. Pumps shipped starting July 30, 2001.
5. No longer manufactured, consult factory for upgrade of gear case subassembly.
12. Replaces 030 010 010 straight and 030 010 090 90° (degree) rotors.
- 12A. Replaces 33A 010 010 straight and 33A 010 090 90° (degree) rotors.
13. Single wing rotors can not be used in Rectangular Flange Inlet pumps.

030 - 034 - 033-U1 Common Parts Diagram



Notes:
 1. Item 46 used on 60 through 320.



PD100-311

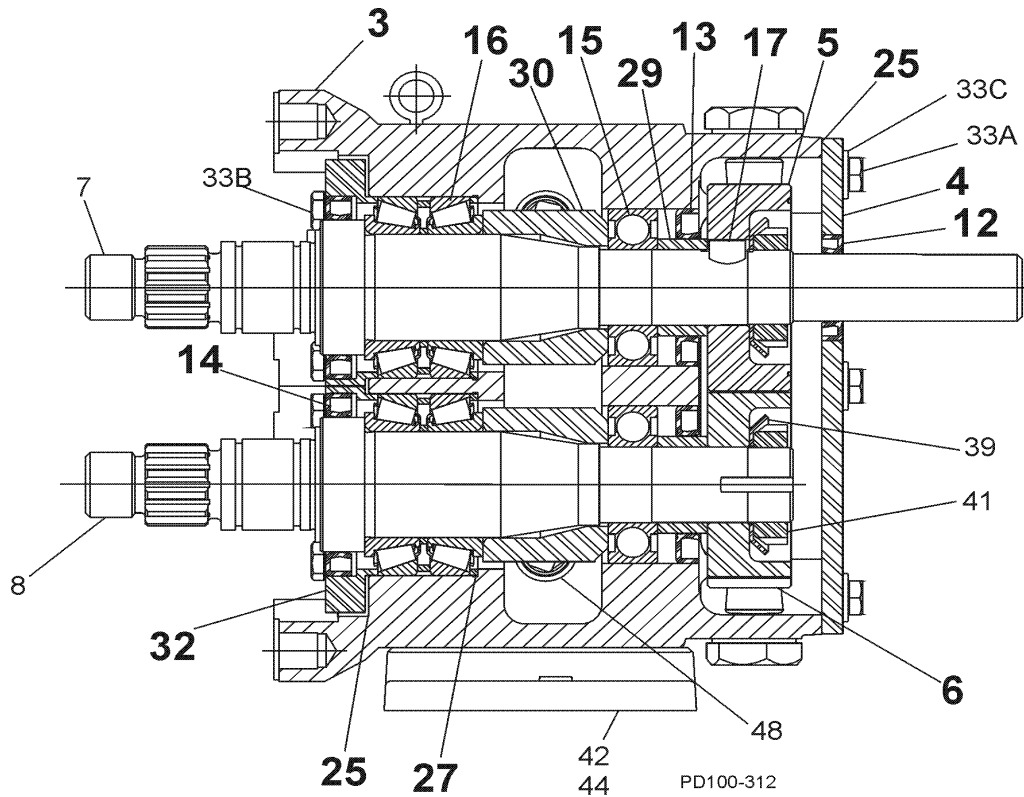
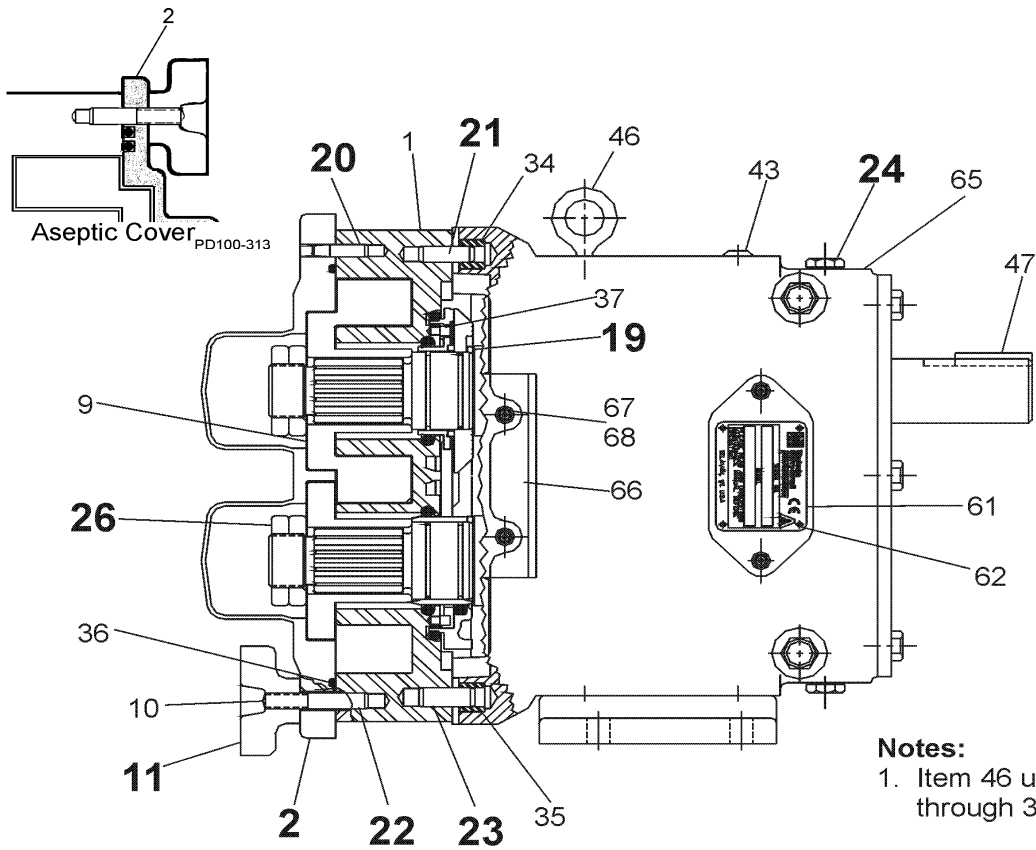
030 - 034 - 033-U1 COMMON PARTS PRICE LIST

ITEM NO.	DESCRIPTION	QTY. PER PUMP	PART NO.	NOTES
2	030-034-U1 Pump Cover	1	BD0 002 S00	
	030-034-U1 Jacketed Cover	1	BD0 002 J10	
	033-U1 Pump Cover	1	33A 002 020	
	Pump Cover Vented - Complete Assembly			
	030-034-U1 Manual (over 150 PSI)	1	CVR00007	
	030-034-U1 Manual (under 150 PSI)	1	CVR00014	
	030-034-U1 Pneumatic	1	CVR00010	
	030-034-U1 Piston	1	CVR00022	
3	Gear Case, CI	1	040 005 000	3, 5
	Gear Case, SS; Optional	1	101832	3, 5
	Gear Case, CI	1	102277	4
	Gear Case, SS; Optional	1	101833	4
4	Gear Case Cover, Steel	1	040 106 000	
	Gear Case Cover, SS; Optional	1	102281	
5	Gear, Drive Shaft, Spur	1	107999	
6	Gear, Short Shaft, Spur	1	107999	
11	Wing Nut	8	105851	
	Hex Nut, optional	8	108370	
12	Oil Seal, Gear Case Cover	1	000 030 013	
13	Oil Seal, Gear Case Rear	2	000 030 014	
14	Grease Seal, Bearing Retainer	2	000 030 015	3
	Grease Seal, Bearing Retainer	2	101717	4
	Bearing Isolator, includes Bearing Retainer	2	X06558-1	3
	Bearing Isolator, includes Bearing Retainer	2	X06639-1	4
15	Bearing, Rear	2	030 035 000	
16	Bearing, Front	2	030 036 000	3
	Bearing, Front	2	101715	4
17	Key, Gear	2	BD0 037 000	
19	Drive Pin, Seal Seat and Sleeve	2	CD0 126 000	
20	Dowel Pin, Upper Cover Side	1	BD0 040 000	
21	Dowel Pin, Upper Gear Case Side	1	BD0 040 200	
22	Dowel Pin, Lower Cover Side	1	BD0 040 100	
23	Dowel Pin, Lower Gear Case Side	1	BD0 040 300	
24	Hex Capscrew; Fill, Drain, Level	6	000 046 003	
25	Silicone Sealant	1	000 142 301	
26	Jam Nut, Rotor	4	BD0 052 001	
27	Shim Kit	2	117890	
29	Spacer, Gear to Rear Bearing	2	030 055 000	
30	Bearing Spacer	2	030 055 001	3
	Bearing Spacer	2	101815	4
32	Bearing Retainer, Front	2	030 080 000	3
	Bearing Retainer, Front	2	101811	4

NOTES:

3. Pumps shipped prior to July 30, 2001.
4. Pumps shipped starting July 30, 2001.
5. No longer manufactured, consult Factory for upgrade of gear case assembly.

030 - 034 - 033-U1 Common Parts Diagram



030 - 034 - 033-U1 COMMON PARTS PRICE LIST

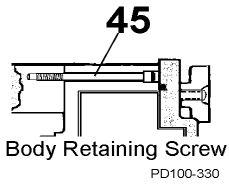
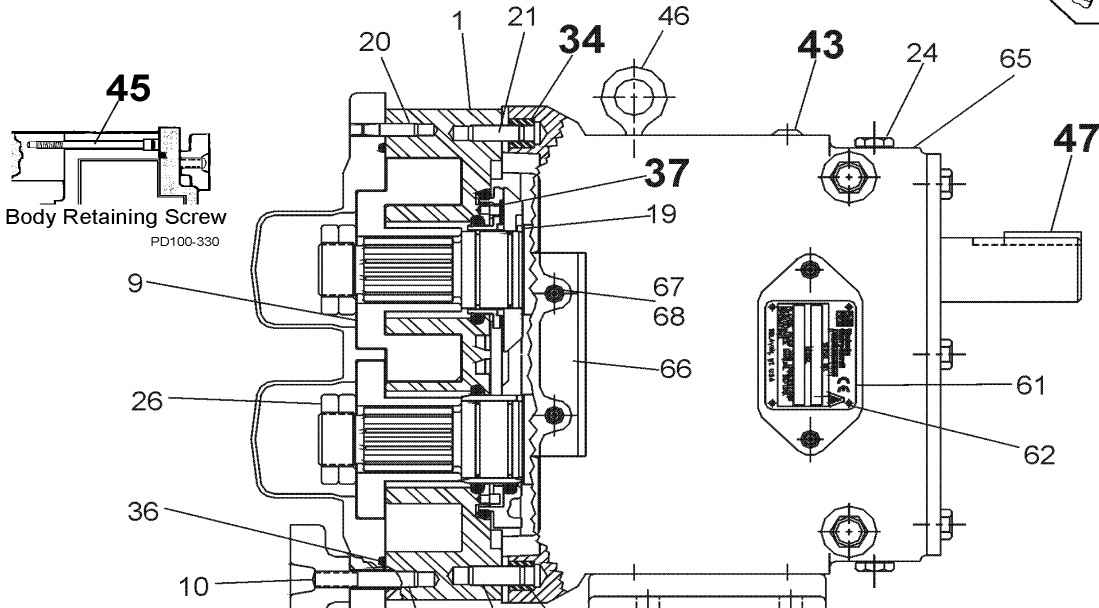
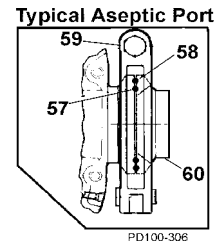
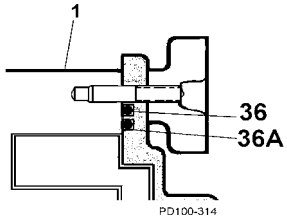
ITEM NO.	DESCRIPTION	QTY. PER PUMP	PART NO.	NOTES
33A	5/16-18 x .75" HHCS, Std gear case	6	30-283	
	1/2-20 x .50" HHCS, SS Gear case	6	30-526	
33B	5/16-18 x .75" SHCS, Brg Ret. Std gear case	8	30-296	
	5/16-18 x .75" SHCS, Brg Ret., SS Gear case	8	30-29	
33C	5/16" Flat Washer, Std gear case	6	43-194	
34	Dowel Bushing, Upper	1	BD0 116 000	
35	Dowel Bushing, Lower	1	BD0 116 100	
* * * * * * *	030-034-U1 O-Ring, Pump Cover, Buna N	1	N70261	
	030-034-U1 O-Ring, Pump Cover, EPDM	1	E70261	
	030-034-U1 O-Ring, Pump Cover, FKM	1	V70261	
	030-034-U1 O-Ring, Pump Cover, Silicone	1	S75261	
	033-U1 O-Ring, Pump Cover, Outer, EPDM	1	033 117 012	11
	033-U1 O-Ring, Pump Cover, Outer, FKM	1	033 117 014	11
	033-U1 O-Ring, Pump Cover, Outer, Silicone	1	033 117 013	11
* * *	033-U1 O-Ring, Pump Cover, Inner, EPDM	1	033 117 002	11
	033-U1 O-Ring, Pump Cover, Inner, FKM	1	033 117 004	11
	033-U1 O-Ring, Pump Cover, Inner, Silicone	1	033 117 003	11
* *	034-U1 O-Ring, Rectangular Flange	1	N70260	14
	034-U1 O-Ring, Rectangular Flange	1	N70357	14
37	Stop Pin, Seal	2	030 126 000	
39	Lockwasher, Gear	2	CD0 036 W00	
41	Locknut, Gear	2	CD0 036 N00	
42	Gear Case Shim, CI	1	040 110 000	
	Gear Case Shim, SS	1	102285	
	Pump Pedestal, 6.25"	1	BD0 110 SM0	
43	Plastic Cap Plug	8	000 121 002	
44	3/8-16 x 1" SHCS, Std gear case	4	30-344	
	3/8-16 x 1" SHCS, SS gear case	4	30-189	
45	Body Retaining Screw, Optional	2	30-211	15
47	Key, Coupling - 1/4 x 1/4 x 1"	1	000 037 002	
48	Cleanout Plug	2	41013	
* *	033-U1 O-Ring, Port, Inner	2	S75223	11
	033-U1 O-Ring, Port, Outer	2	V70232	11
59	033-U1 2-1/2" 131 "I" Line Clamp	2	0344223	11
60	033-U1 Aseptic Ferrule , 2-1/2"	2	BD0 267 230	11

NOTES:

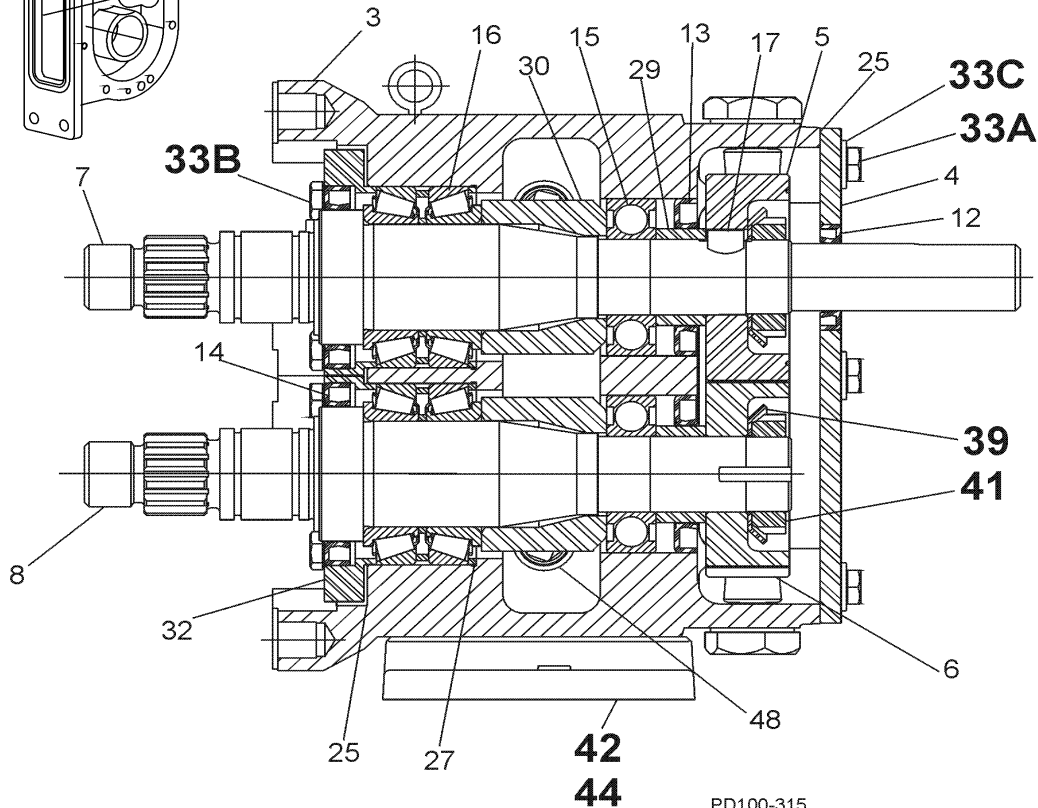
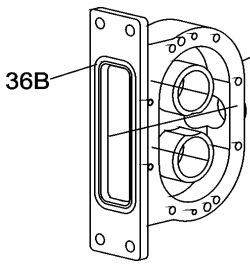
- 11. Used on 033-U1 only.
- 14. New O-Ring N70357 introduced in 2001. Fits close to inlet opening.
- 15. New standard for Rectangular Flange Inlet pumps. Optional for standard inlet pumps.
 Body must be drilled at Factory to use.

*** Recommended Spare Parts**

030 - 034 - 033-U1 Common Parts Diagram



Notes:
 1. Item 46 used on 60 through 320.

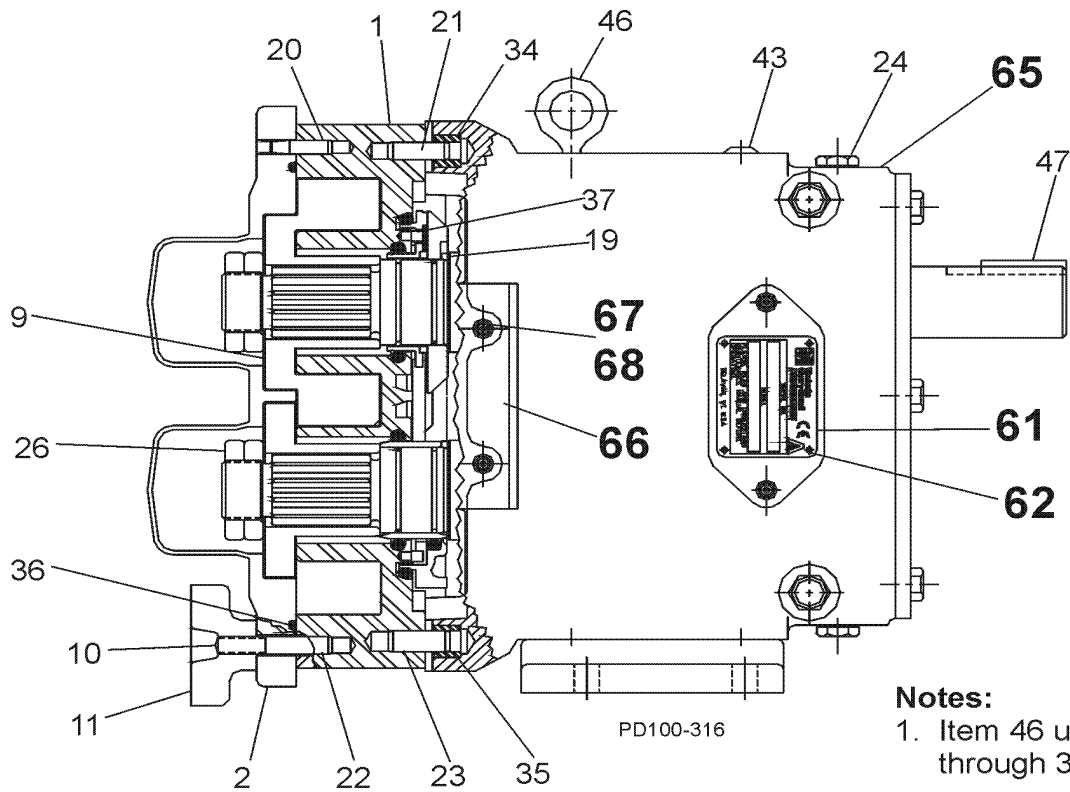


PD100-315

030 - 034 - 033-U1 COMMON PARTS PRICE LIST

ITEM NO.	DESCRIPTION	QTY. PER PUMP	PART NO.	NOTES
61	Name Plate, Sanitary	1	001 061 002	
62	#2 x .125" RHDS	4	30-355	
63	O-ring Removal Tool	1	AD0 096 001	
64	Rotor Nut Wrench, SS	1	109896	
	030-034-U1 Wrench, Jacketed Cover	1	CD0 019 001	
65	Caution Plate	2	33-62	
66	Warning Label	2	33-63	
67	030-033-U1 Grease Fitting, 1/8"	4	BD0 092 000	
	034-U1 Grease Fitting, 1/8"	4	BD0 092 100	
68	Plastic Cap, Grease Fitting	4	BD0 093 000	

030 - 034 - 033-U1 Common Parts Diagram



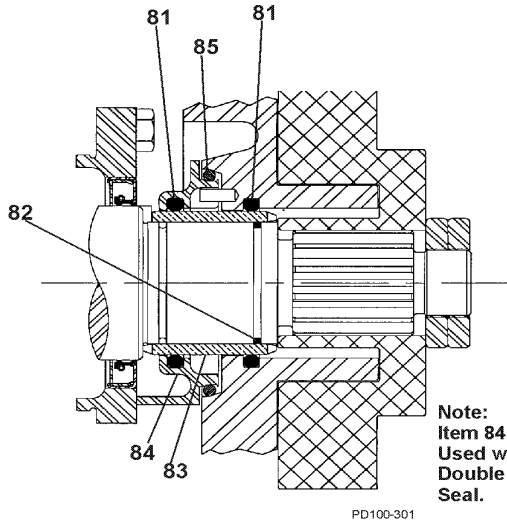
030 - 034 - 033-U1 SEAL PARTS PRICE LIST

ITEM NO.	DESCRIPTION	QTY. PER PUMP	PART NO.	NOTES
O-RING AND MECHANICAL SEAL PARTS				
* 81	O-Ring, Body, Buna N	2	N70327	6, 25
* 81	O-Ring, Body, EPDM	2	E70327	6, 25
* 81	O-Ring, Body, FKM	2	V70327	6
* 81	O-Ring, Body, Silicone	2	S75327	6
* 82	O-Ring, Shaft, Buna N	2	N70028	16, 25
* 82	O-Ring, Shaft, EPDM	2	E70028	16, 25
* 82	O-Ring, Shaft, FKM	2	V70028	16
* 82	O-Ring, Shaft, Silicone	2	S75028	16, 25
* 83	Sleeve, SS	2	030 098 000	
* 83	Sleeve, Zirconia	2	030 098 004	
* 83	Sleeve, Chrome Oxide	2	030 098 002	
84	O-Ring Seal Carrier	2	030 034 000	7
* 85	O-Ring, Outer, Buna N - Seal Carrier	2	N50335	7, 8
* 85	O-Ring, Outer, EPDM - Seal Carrier	2	E50335	7, 8
* 85	O-Ring, Outer, FKM - Seal Carrier	2	V50335	7, 8
* 85	O-Ring, Outer, Silicone - Seal Carrier	2	S50335	7, 8
* 86	030-034-U1 Seal Seat, Ceramic	2	030 014 002	
* 86	030-034-U1 Seal Seat, Chrome Oxide	2	030 014 001	
* 86	030-034-U1 Seal Seat, Silicon Carbide	2	030 014 009	
* 86	033-U1 Seal Seat, Ceramic	2	033 014 002	11
* 86	033-U1 Seal Seat, Chrome Oxide	2	033 014 001	11
* 86	033-U1 Seal Seat, Silicon Carbide	2	033 014 009	11
* 87	Seal Inner, Carbon (2 piece)	2	030 306 001	
* 87	Seal Inner, Carbon (1 piece)	2	030 306 007	
* 87	Seal Inner, Ceramic	2	40821	
* 87	Seal Inner, Chrome Oxide	2	030 306 002	
* 87	Seal Inner, Silicon Carbide	2	030 306 009	
88	Wave Spring	2	030 304 000	
* 89	Outer Seal, Carbon (1 piece)	2	030 206 007	8
* 89	Outer Seal, Chrome Oxide	2	030 206 002	8

NOTES:

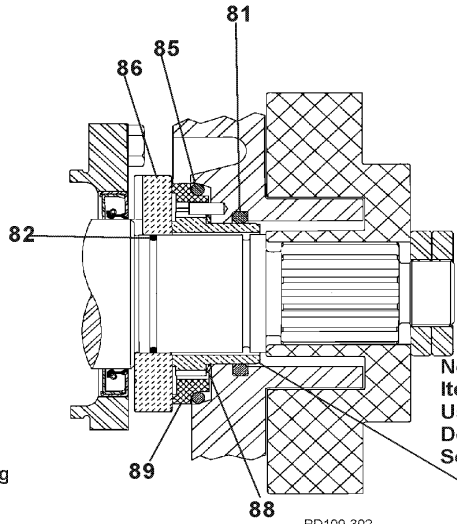
- 6. (4) needed per pump with Double O-ring Seal.
- 7. Used with Double O-Ring Seal.
- 8. Used with Double Mechanical Seal.
- 11. Used on 033-U1 only.
- 16. (4) needed per pump on 033-U1.
- 25. Sold in packages of 25 only.
- * **Recommended Spare Parts**

030 - 034-U1 Seals Parts Diagram



Note:
 Item 84, 85
 Used with
 Double O-Ring
 Seal.

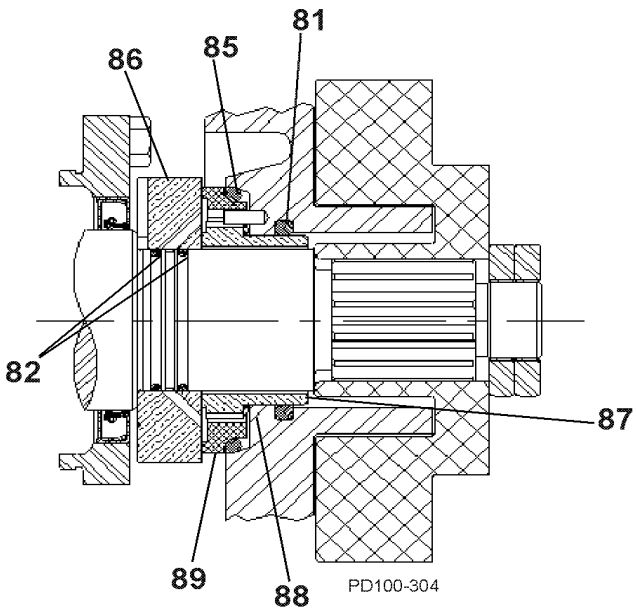
O-Ring Seal



Note:
 Item 85, 89
 Used with
 Double Mechanical
 Seal.

Mechanical Seal

033-U1 Aseptic Seal



030 - 034-U1 VENTED COVER PARTS PRICE LIST

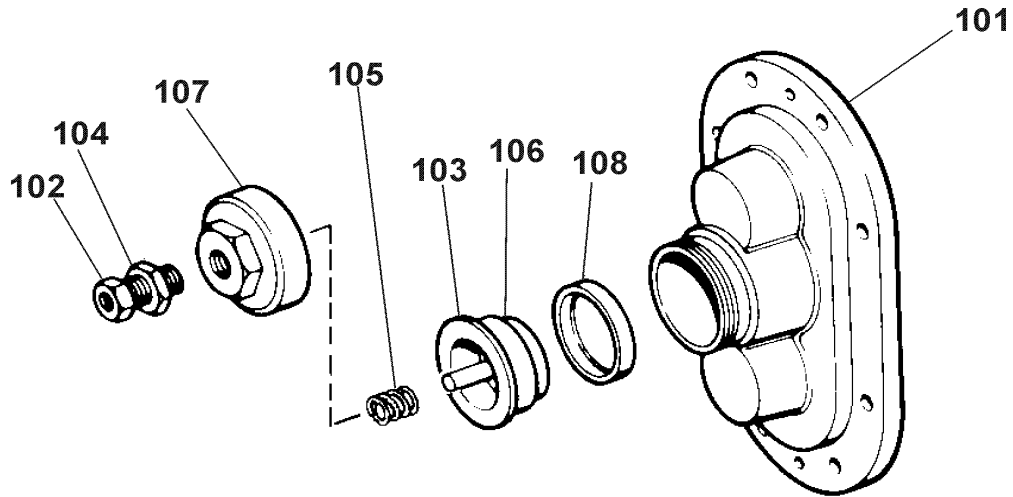
ITEM NO.	DESCRIPTION	QTY. PER PUMP	PART NO.	NOTES
	MANUAL VENTED COVER			
101	Vented Cover	1	BD0 002 VS0	
102	Adjusting Screw	1	AD0 072 000	
103	Spring Plunger	1	AD0 073 000	
104	Locknut	1	AD0 074 000	
105	Spring, Medium (less than 150 PSI)	1	AD0 076 000	
	Spring, High (more than 150 PSI)	1	ABB 076 100	
106	Diaphragm Bushing	1	AD0 077 000	
107	Cover Nut	1	AD0 075 000	
* 108	Rubber Diaphragm, Buna N	1	AD0 078 000	
	PNEUMATIC VENTED COVER			
101	Vented Cover	1	BD0 002 VS0	
* 108	Diaphragm, Buna N	1	AD0 078 000	
110	Diaphragm Bushing	1	AD0 077 P00	
111	Cover Nut	1	AD0 075 P00	
	PISTON VENTED COVER			
101	Vented Cover	1	BD0 002 VS0	
112	Piston	1	AD0 073 P10	
* 113	O-Ring, Bushing Seal, Buna N	1	N70223	
114	Diaphragm Bushing	1	AD0 077 P10	
* 115	O-Ring, Nut Seal, Buna N	1	N70224	
116	Cover Nut	1	AD0 075 P10	
* 117	Piston Seal, Quad Ring	1	AD0 133 000	9
* 117	Piston Seal, O-Ring	1	N70218	9

NOTES:

9. Quad Ring and O-Ring can be interchanged.

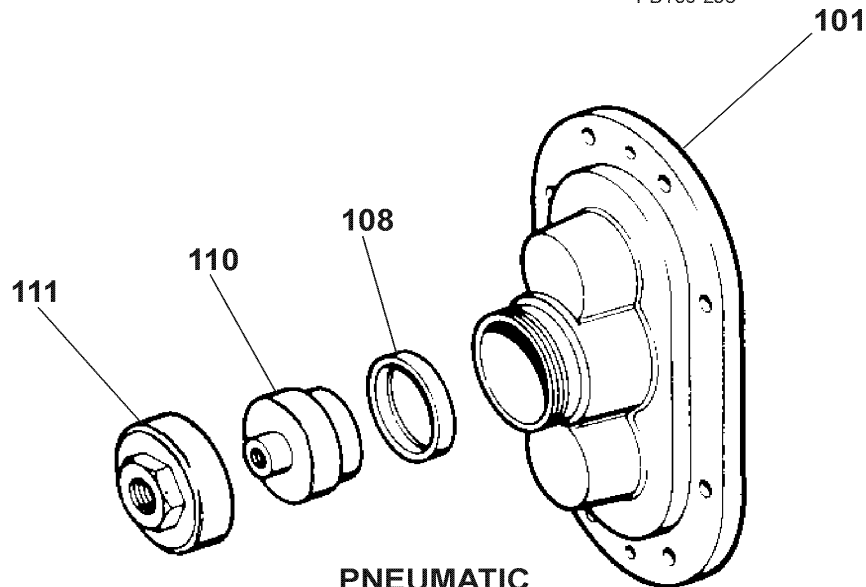
* **Recommended Spare Parts**

030 - 034-U1 Vented Cover Diagram (Not Used on 033-U1 Pump)



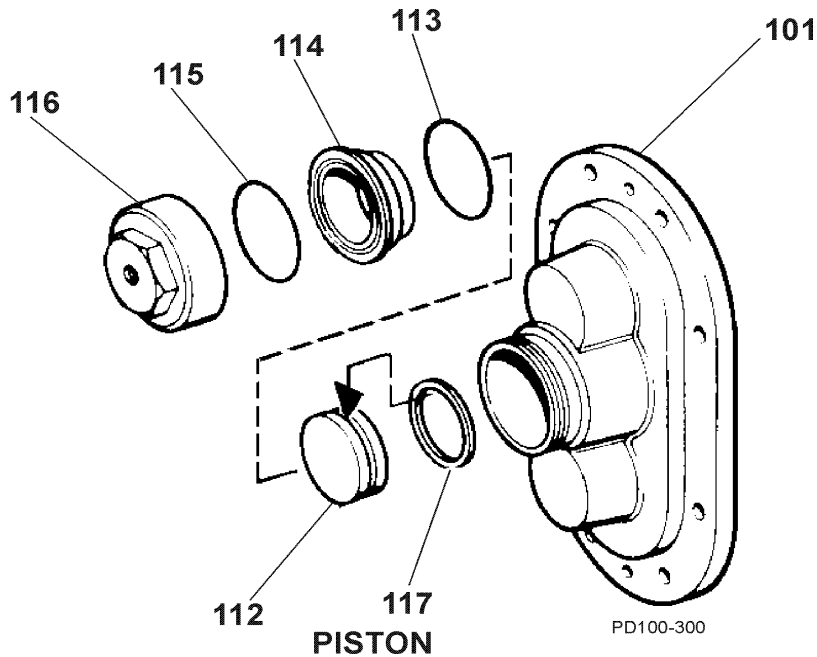
MANUAL

PD100-298



PNEUMATIC

PD100-299



PISTON

PD100-300