

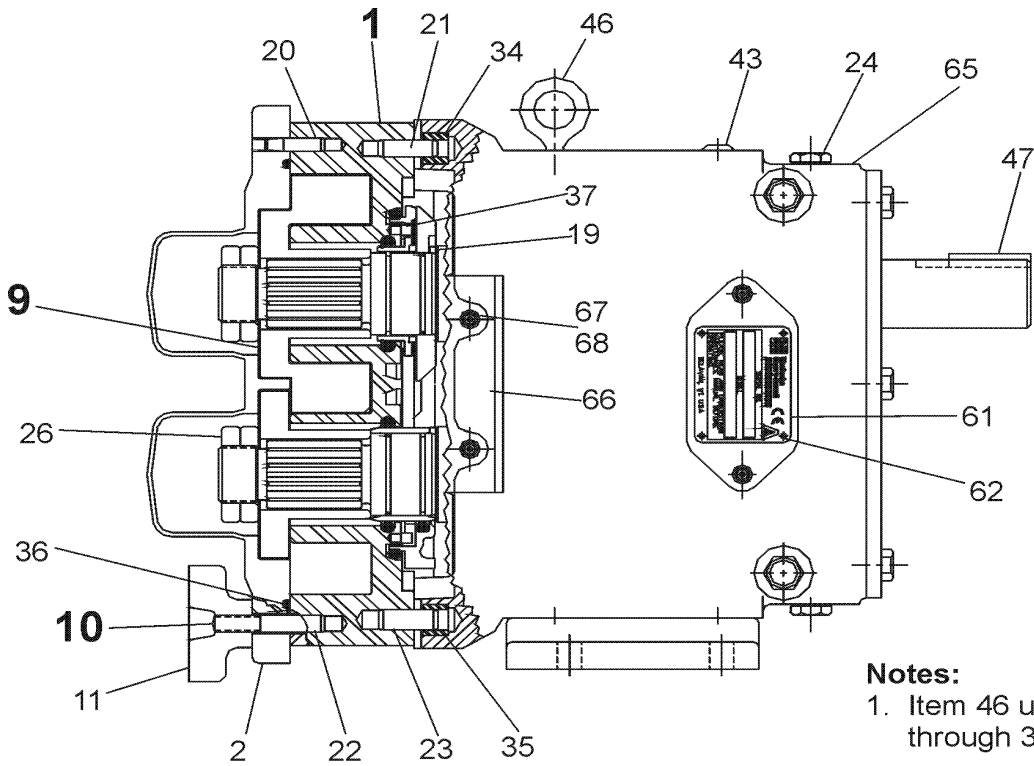
040-U1 PUMP PARTS PRICE LIST

| ITEM NO. | DESCRIPTION | QTY. PER PUMP | PART NO. | NOTES |
|----------|-------------------------------------|---------------|------------|-------|
| 1 | 040-U1 Pump Body | 1 | See Note 1 | 1 |
| | 040-U1 Pump Body with Flush | 1 | See Note 1 | 1 |
| 7 | 040-U1 Drive Shaft, Std. | 1 | 118718 | |
| | 040-U1 Drive Shaft, Optional 17-4PH | 1 | 118812 | |
| 8 | 040-U1 Short Shaft, Std. | 1 | 118719 | |
| | 040-U1 Short Shaft, Optional 17-4PH | 1 | 118813 | |
| 9 | 040-U1 Rotor, Twin Wing, Alloy 88 | 2 | 118728 | 2 |
| | 040-U1 Rotor, Twin Wing, 316SS | 2 | 118753 | 2 |
| 10 | 040-U1 Stud | 8 | 118897 | |
| | 040-U1 Stud, Jacketed Cover | 8 | 118898 | |

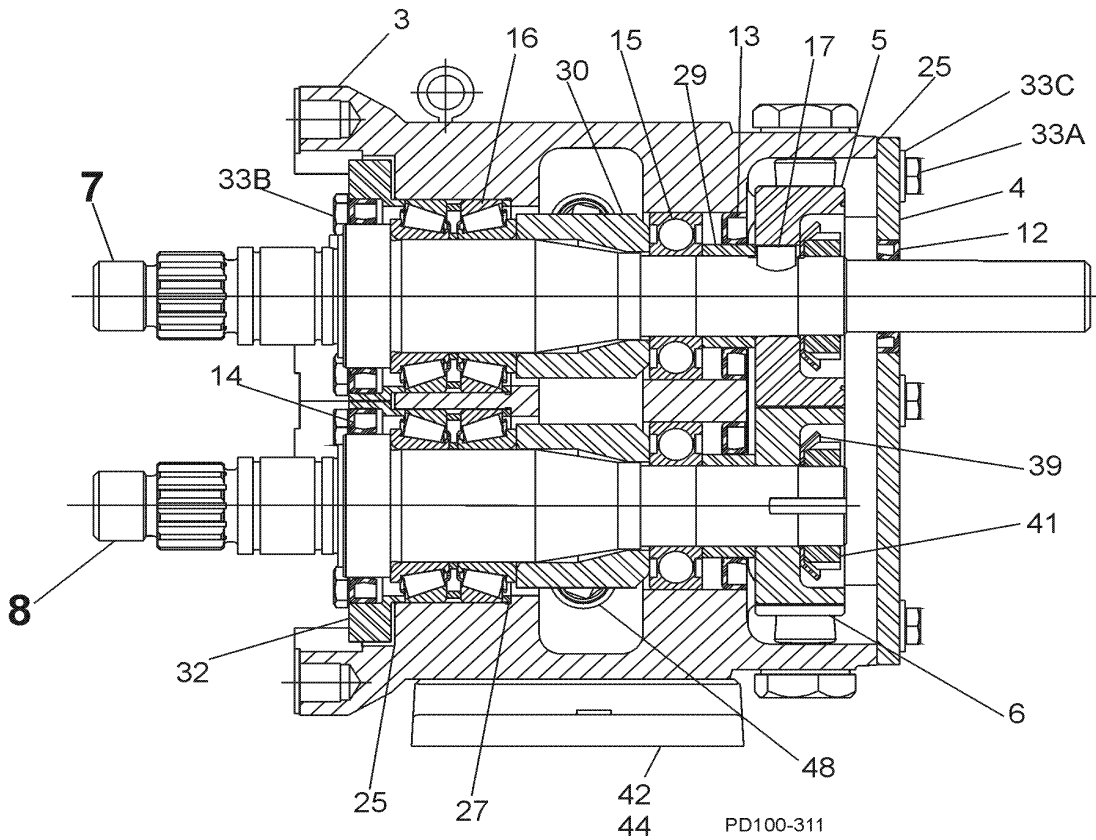
NOTES:

1. Contact Factory with Serial Number of pump for Part Number.
2. Standard clearances and finishes for Rotor Part Numbers shown. Contact Factory for optional clearances and finishes.

040-U1 Common Parts Diagram



Notes:
 1. Item 46 used on 60 through 320.

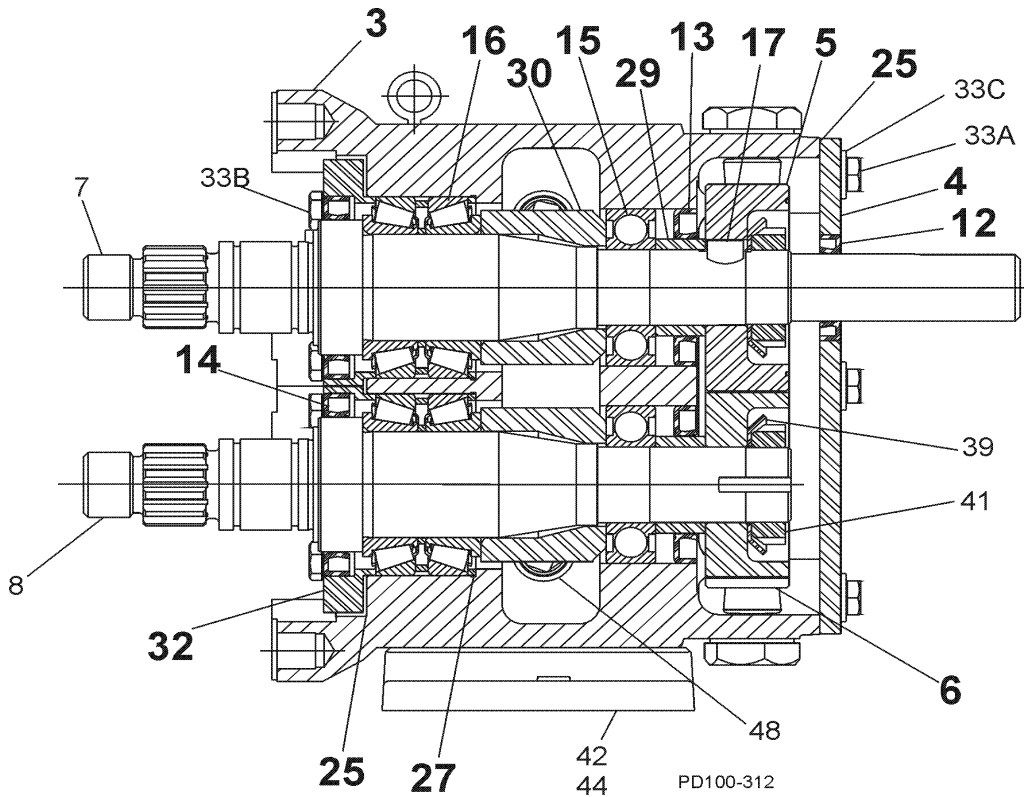
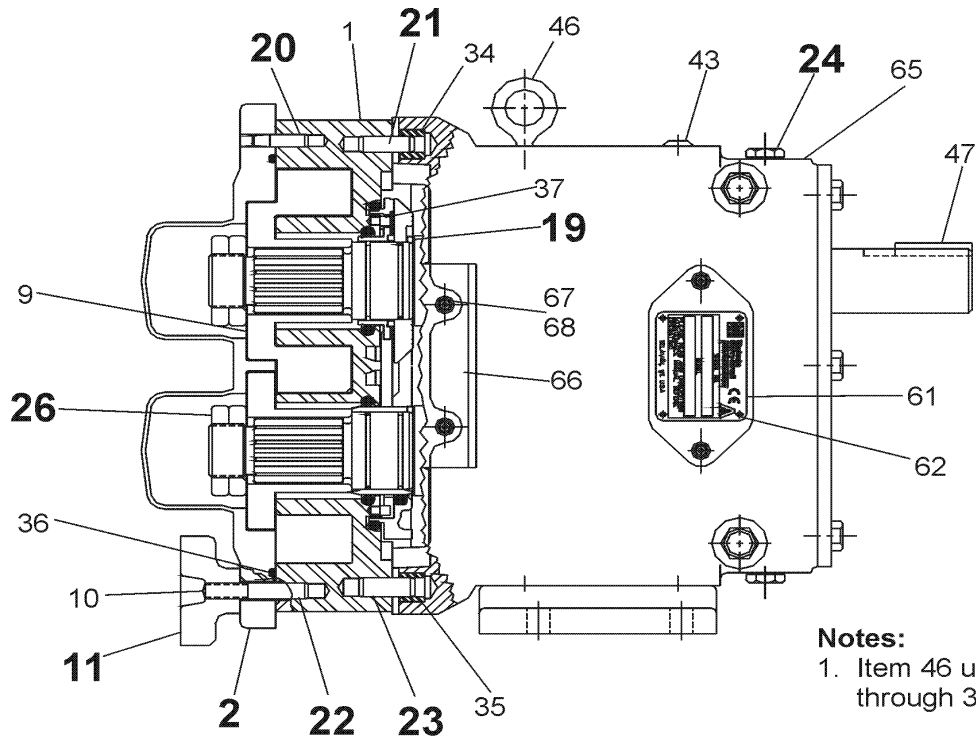


PD100-311

040-U1 COMMON PARTS PRICE LIST

| ITEM NO. | DESCRIPTION | QTY. PER PUMP | PART NO. | NOTES |
|----------|--|---------------|-------------|-------|
| 2 | 040-U1 Pump Cover | 1 | BD0 002 S00 | |
| | 040-U1 Jacketed Cover | 1 | BD0 002 J10 | |
| | Pump Cover Vented - Complete Assembly | | | |
| | 040-U1 Manual (over 150 PSI) | 1 | CVR00007 | |
| | 040-U1 Manual | 1 | CVR00014 | |
| | 040-U1 Pneumatic | 1 | CVR00010 | |
| | 040-U1 Piston | 1 | CVR00022 | |
| 3 | Gear Case, CI | 1 | 102277 | |
| | Gear Case, SS; Optional | 1 | 101833 | |
| 4 | Gear Case Cover, Steel | 1 | 040 106 000 | |
| | Gear Case Cover, SS; Optional | 1 | 102281 | |
| 5 | Gear, Drive Shaft, Spur | 1 | 107999 | |
| 6 | Gear, Short Shaft, Spur | 1 | 107999 | |
| 11 | Wing Nut | 8 | 105851 | |
| | Hex Nut, optional | 8 | 108370 | |
| 12 | Oil Seal, Gear Case Cover | 1 | 000 030 013 | |
| 13 | Oil Seal, Gear Case Rear | 2 | 000 030 014 | |
| 14 | Grease Seal, Bearing Retainer | 2 | 101717 | |
| | Bearing Isolator, includes Bearing Retainer | 2 | X06639-1 | |
| 15 | Bearing, Rear | 2 | 030 035 000 | |
| 16 | Bearing, Front | 2 | 101715 | |
| 17 | Key, Gear | 2 | BD0 037 000 | |
| 19 | Drive Pin, Seal Seat and Sleeve | 2 | CD0 126 000 | |
| 20 | Dowel Pin, Upper Cover Side | 1 | BD0 040 000 | |
| 21 | Dowel Pin, Upper Gear Case Side | 1 | BD0 040 200 | |
| 22 | Dowel Pin, Lower Cover Side | 1 | BD0 040 100 | |
| 23 | Dowel Pin, Lower Gear Case Side | 1 | BD0 040 300 | |
| 24 | Hex Capscrew; Fill, Drain, Level | 6 | 000 046 003 | |
| 25 | Silicone Sealant | 1 | 000 142 301 | |
| 26 | Jam Nut, Rotor | 4 | BD0 052 001 | |
| 27 | Shim Kit | 2 | 117890 | |
| 29 | Spacer, Gear to Rear Bearing | 2 | 030 055 000 | |
| 30 | Bearing Spacer | 2 | 101815 | |
| 32 | Bearing Retainer, Front | 2 | 101811 | |

040-U1 Common Parts Diagram



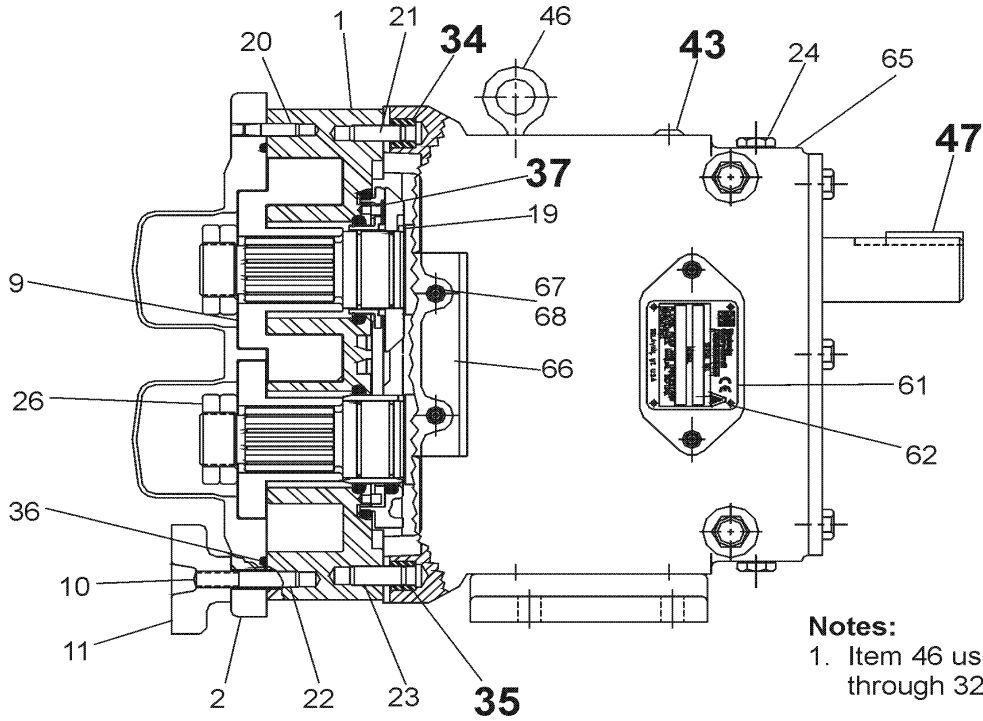
040-U1 COMMON PARTS PRICE LIST

| ITEM NO. | DESCRIPTION | QTY. PER PUMP | PART NO. | NOTES |
|------------|---|--|-------------|-------|
| 33A | 5/16-18 x .75" HHCS, Std gear case | 6 | 30-283 | |
| | 1/2-20 x .50" HHCS, SS Gear case | 6 | 30-526 | |
| 33B | 5/16-18 x .75" SHCS, Brg Ret. Std gear case | 8 | 30-296 | |
| | 5/16-18 x .75" SHCS, Brg Ret., SS Gear case | 8 | 30-29 | |
| 33C | 5/16 Flat Washer, Std gear case | 6 | 43-194 | |
| 34 | Dowel Bushing, Upper | 1 | BD0 116 000 | |
| 35 | Dowel Bushing, Lower | 1 | BD0 116 100 | |
| * | 36 | 040-U1 O-Ring, Pump Cover, Buna N | | |
| * | | 040-U1 O-Ring, Pump Cover, EPDM | | |
| * | | 040-U1 O-Ring, Pump Cover, FKM | | |
| * | | 040-U1 O-Ring, Pump Cover, Silicone | | |
| 37 | Stop Pin, Seal | 2 | 030 126 000 | |
| 39 | Lockwasher, Gear | 2 | CD0 036 W00 | |
| 41 | Locknut, Gear | 2 | CD0 036 N00 | |
| 42 | Gear Case Shim, CI | 1 | 040 110 000 | |
| | Gear Case Shim, SS | 1 | 102285 | |
| | Pump Pedestal, 6.25" | 1 | BD0 110 SM0 | |
| 43 | Plastic Cap Plug | 8 | 000 121 002 | |
| 44 | 3/8-16 x 1" SHCS, Std gear case | 4 | 30-344 | |
| | 3/8-16 x 1" SHCS, SS gear case | 4 | 30-189 | |
| 47 | Key, Coupling - 1/4 x 1/4 x 1" | 1 | 000 037 002 | |
| 48 | Cleanout Plug | 2 | 41013 | |

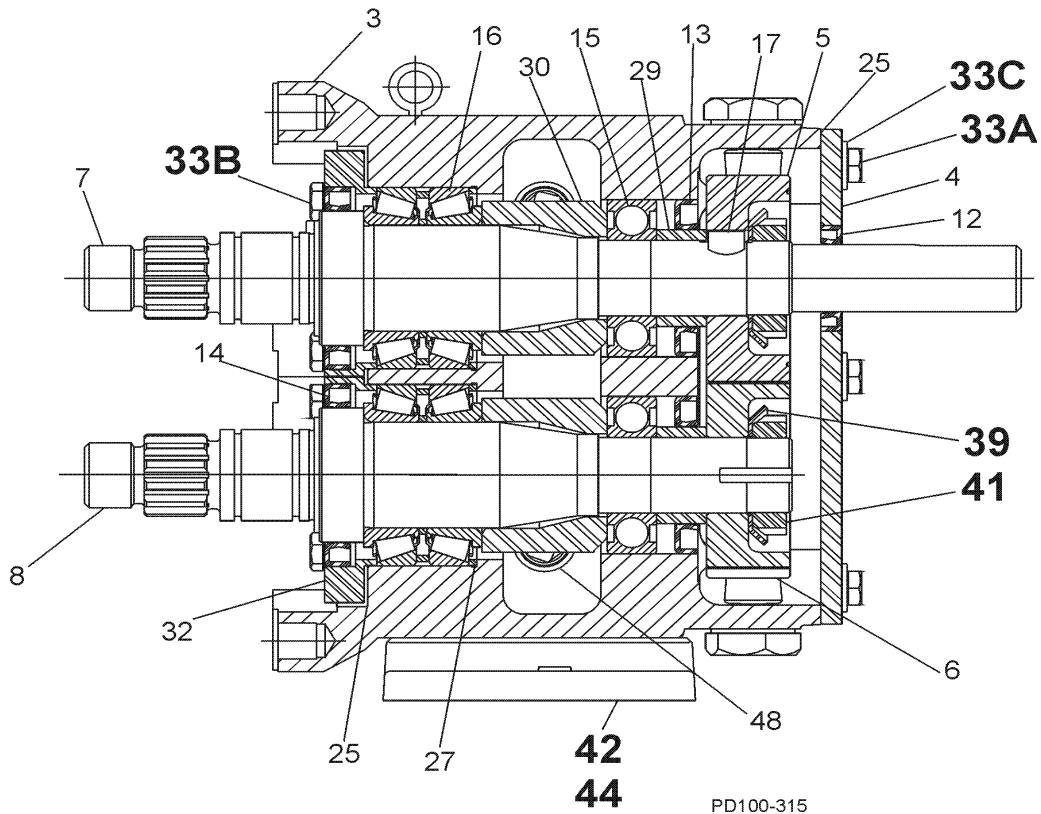
NOTES:

* Recommended Spare Parts

040-U1 Common Parts Diagram



Notes:
 1. Item 46 used on 60 through 320.

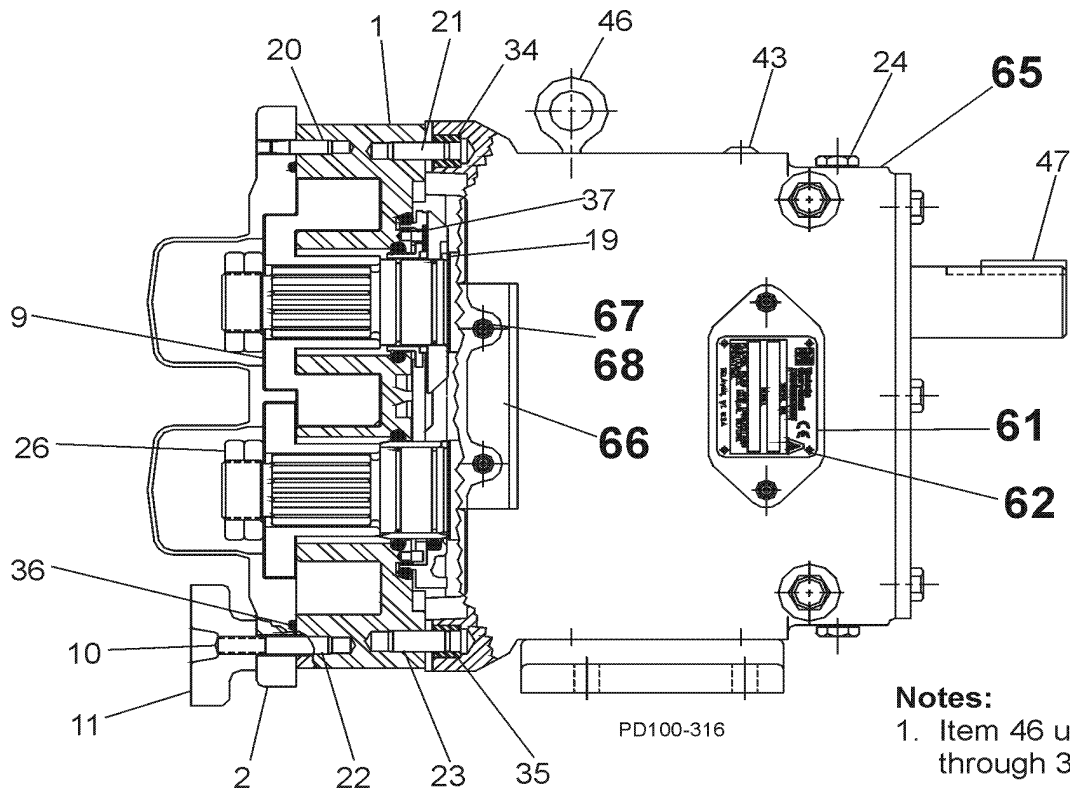


PD100-315

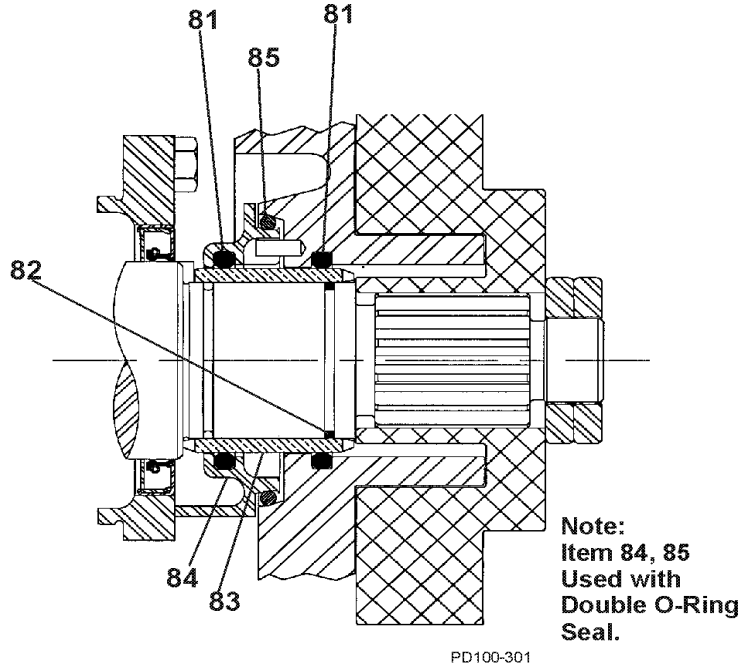
040-U1 COMMON PARTS PRICE LIST

| ITEM NO. | DESCRIPTION | QTY. PER PUMP | PART NO. | NOTES |
|----------|-------------------------------|---------------|-------------|-------|
| 61 | Name Plate, Sanitary | 1 | 001 061 002 | |
| 62 | #2 x .125" RHDS | 4 | 30-355 | |
| 63 | O-ring Removal Tool | 1 | AD0 096 001 | |
| 64 | Rotor Nut Wrench, SS | 1 | 109896 | |
| | 040-U1 Wrench, Jacketed Cover | 1 | CD0 019 001 | |
| 65 | Caution Plate | 2 | 33-62 | |
| 66 | Warning Label | 2 | 33-63 | |
| 67 | Grease Fitting, 1/8" | 4 | BD0 092 000 | |
| 68 | Plastic Cap, Grease Fitting | 4 | BD0 093 000 | |

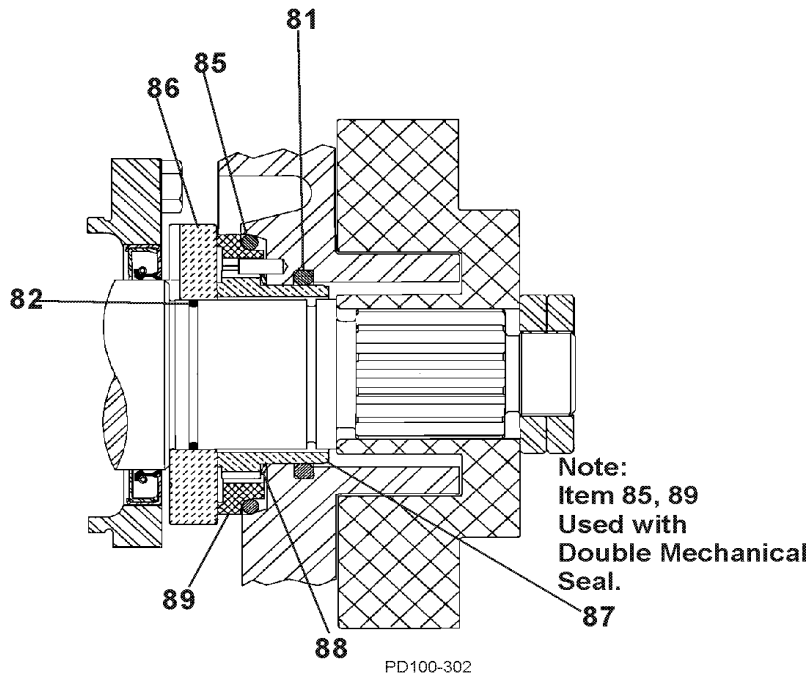
040-U1 Common Parts Diagram



040-U1 Seals Parts Diagram



O-Ring Seal



Mechanical Seal

040-U1 VENTED COVER PARTS PRICE LIST

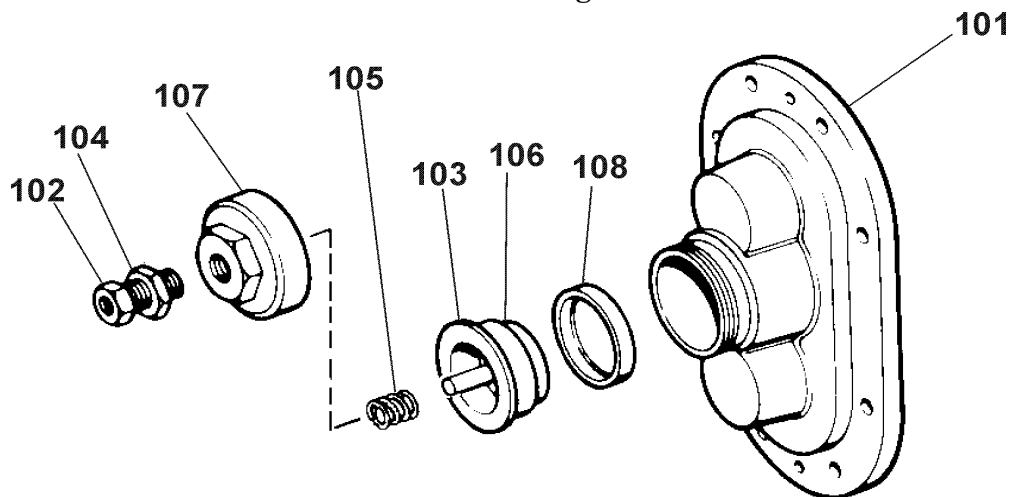
| ITEM NO. | DESCRIPTION | QTY. PER PUMP | PART NO. | NOTES |
|-------------------------------|-------------------------------------|---------------|-------------|-------|
| MANUAL VENTED COVER | | | | |
| 101 | Vented Cover | 1 | BD0 002 VS0 | |
| 102 | Adjusting Screw | 1 | AD0 072 000 | |
| 103 | Spring Plunger | 1 | AD0 073 000 | |
| 104 | Locknut | 1 | AD0 074 000 | |
| 105 | Spring, Medium (less than 150 PSI) | 1 | AD0 076 000 | |
| | Spring, High (more than 150 PSI) | 1 | ABB 076 100 | |
| 106 | Diaphragm Bushing | 1 | AD0 077 000 | |
| 107 | Cover Nut | 1 | AD0 075 000 | |
| * 108 | Rubber Diaphragm, Buna N | 1 | AD0 078 000 | |
| PNEUMATIC VENTED COVER | | | | |
| 101 | Vented Cover | 1 | BD0 002 VS0 | |
| * 108 | Diaphragm, Buna N | 1 | AD0 078 000 | |
| 110 | Diaphragm Bushing | 1 | AD0 077 P00 | |
| 111 | Cover Nut | 1 | AD0 075 P00 | |
| PISTON VENTED COVER | | | | |
| 101 | Vented Cover | 1 | BD0 002 VS0 | |
| 112 | Piston | 1 | AD0 073 P10 | |
| * 113 | O-Ring, Bushing Seal, Buna N | 1 | N70223 | |
| 114 | Diaphragm Bushing | 1 | AD0 077 P10 | |
| * 115 | O-Ring, Nut Seal, Buna N | 1 | N70224 | |
| 116 | Cover Nut | 1 | AD0 075 P10 | |
| * 117 | Piston Seal, Quad Ring | 1 | AD0 133 000 | 9 |
| * 117 | Piston Seal, O-Ring | 1 | N70218 | 9 |

NOTES:

9. Quad Ring and O-Ring can be interchanged.

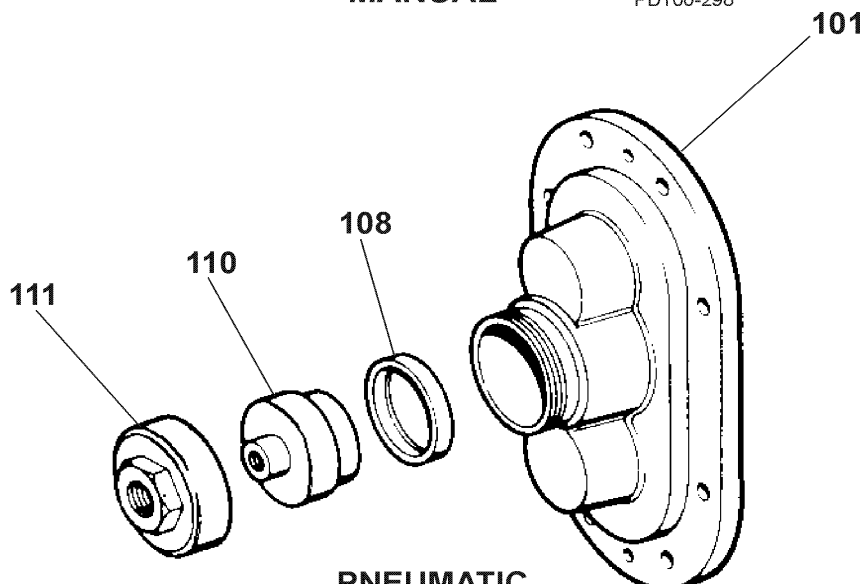
* **Recommended Spare Parts**

040-U1 Vented Cover Diagram



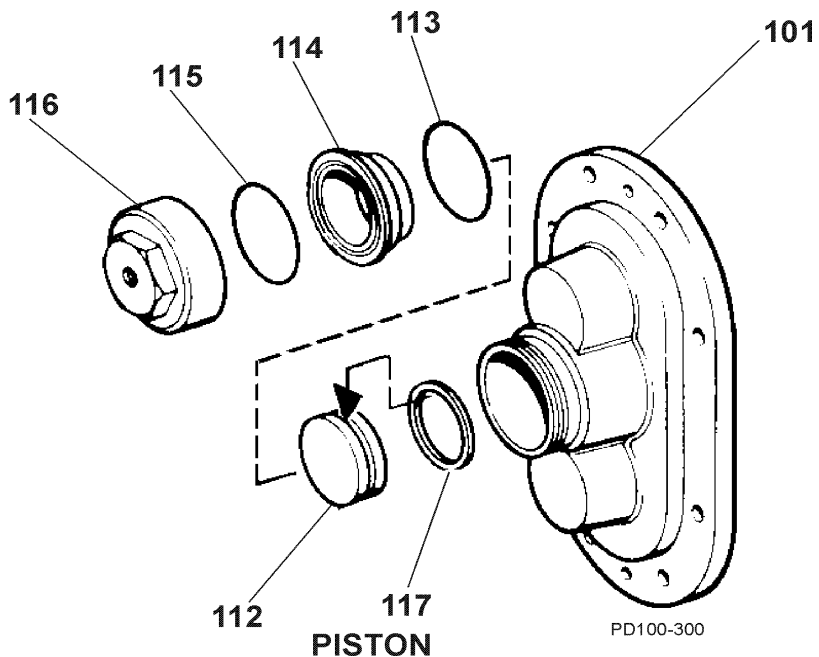
MANUAL

PD100-298



PNEUMATIC

PD100-299



PISTON

PD100-300