

320 - 324 - 323-U1 PUMP PARTS PRICE LIST

ITEM NO.	DESCRIPTION	QTY. PER PUMP	PART NO.	NOTES
1	320-U1 Pump Body	1	See Note 1	1
	324-U1 Rectangular Flange Inlet Body	1	See Note 1	1
	323-U1 Pump Body	1	323 001 020	
7	Drive Shaft, Std.		OH1 008 002	3, 5
	Drive Shaft, Optional 17-4PH		33081	3, 5
	Drive Shaft Kit, Std.	1	113611	5A
	Drive Shaft Kit, Optional 17-4PH	1	113613	5A
	Drive Shaft, Std.	1	113518	4
	Drive Shaft, Optional 17-4PH	1	113520	4
8	Short Shaft, Std.		OH1 009 002	3, 5
	Short Shaft, Optional 17-4PH		33204	3, 5
	Short Shaft Kit, Std.	1	113612	5A
	Short Shaft Kit, Optional 17-4PH	1	113614	5A
	Short Shaft, Std.	1	113519	4
	Short Shaft, Optional 17-4PH	1	113521	4
9	320-324-U1 Rotor, Twin Wing, Alloy 88	2	320 010 000	2
	320-324-U1 Rotor, Twin Wing, 316SS	2	320 010 200	2
	323-U1 Rotor, Twin Wing, Alloy 88	2	323 010 000	2
10	320-323-U1 Stud, Cover, Long	4	111291	4
	324-U1 Stud, Long	4	111291	
	324-U1 Stud, Short	4	40699	
10A	Stud, Cover, Short	4	111292	

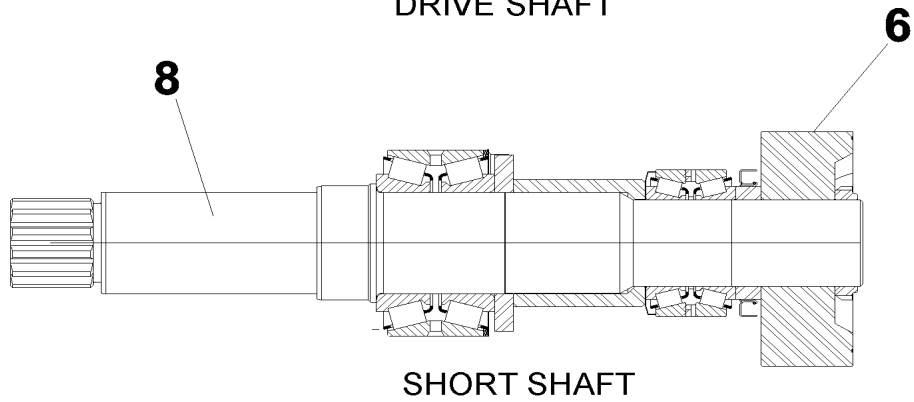
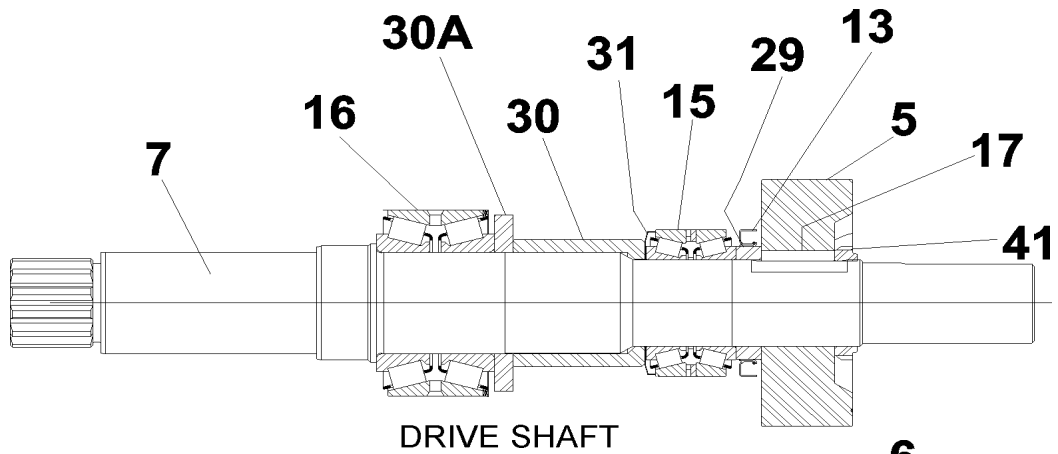
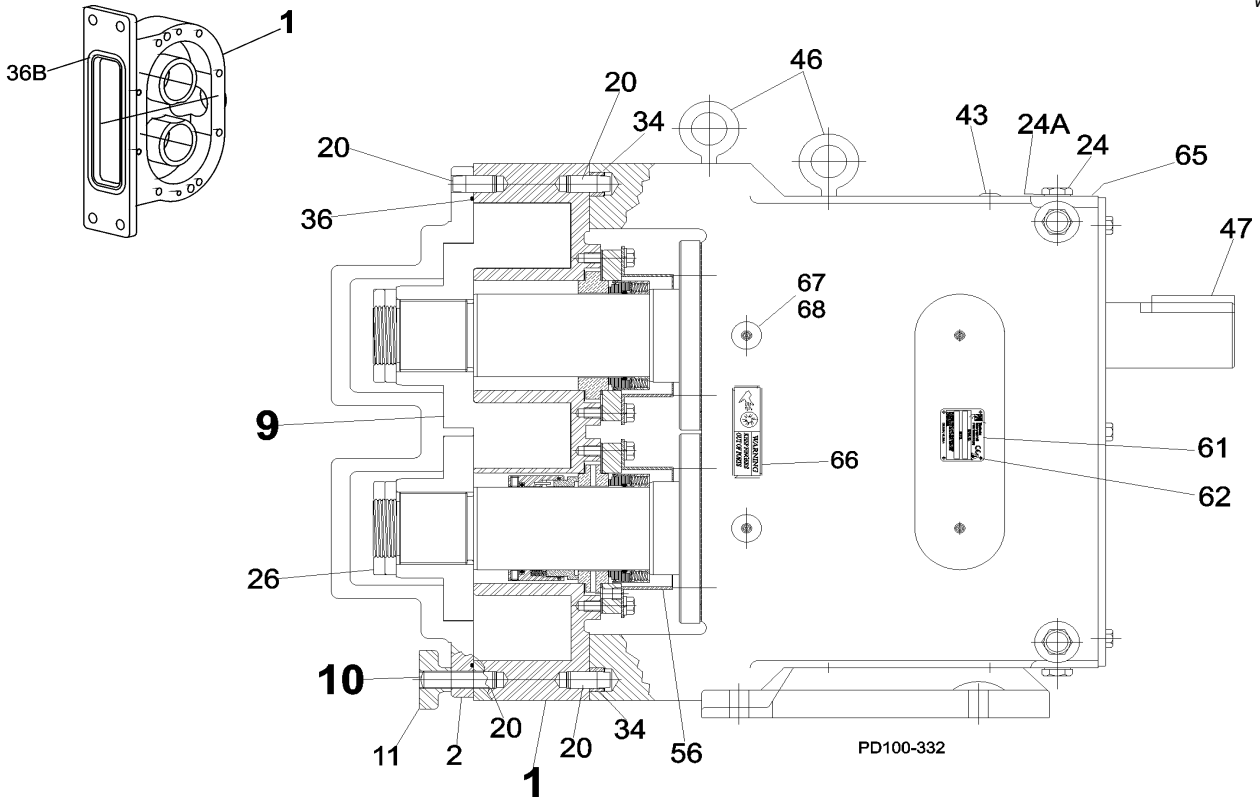
NOTES:

1. Contact Factory with Serial Number of pump for Part Number.
2. Standard clearance and finish Par Number shown. Contact Factory for optional clearances and finishes.
3. Pumps shipped prior to July 30, 2001
4. Pumps shipped starting July 30, 2001.
5. No longer manufactured, See shaft kits 113611 and 113613, 113612 and 113614.
- 5A. Kits replace obsolete shafts OH1 008 002, 33081, OH1 009 002, and 33204 used in obsolete gear case OH1 005 000, which was supplied for pumps shipped prior to July 30, 2001.

Kits 113611, 113612, 113613, and 113614 Include:

Item no.	Description	Item no.	Description
5,6	Gears P/N 102470	17	Key, Gear P/N OH1 037 000
7	Drive Shaft P/N 113518 or 113520	29	Spacer, Gear P/N 117691
8	Short Shaft P/N 113519 or 113521	30	Spacer Front Bearing P/N 102473
13	Oil Seal, Case Rear P/N STD 119 000	30A	Bearing Spacer P/N 102472
15	Bearing, Rear P/N OH1 036 000	31	Grease Retainer P/N STD 091 000
16	Bearing, Front P/N OH1 036 003	41	Locknut, Gear P/N 105697

320 - 324 - 323-U1 Common Parts Diagram



PD100-331

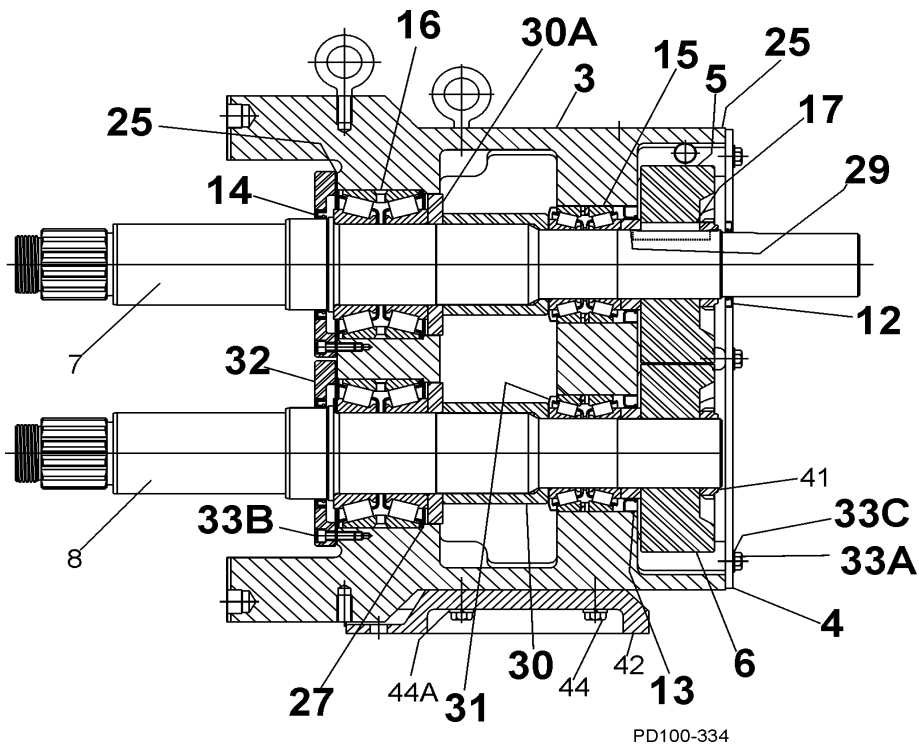
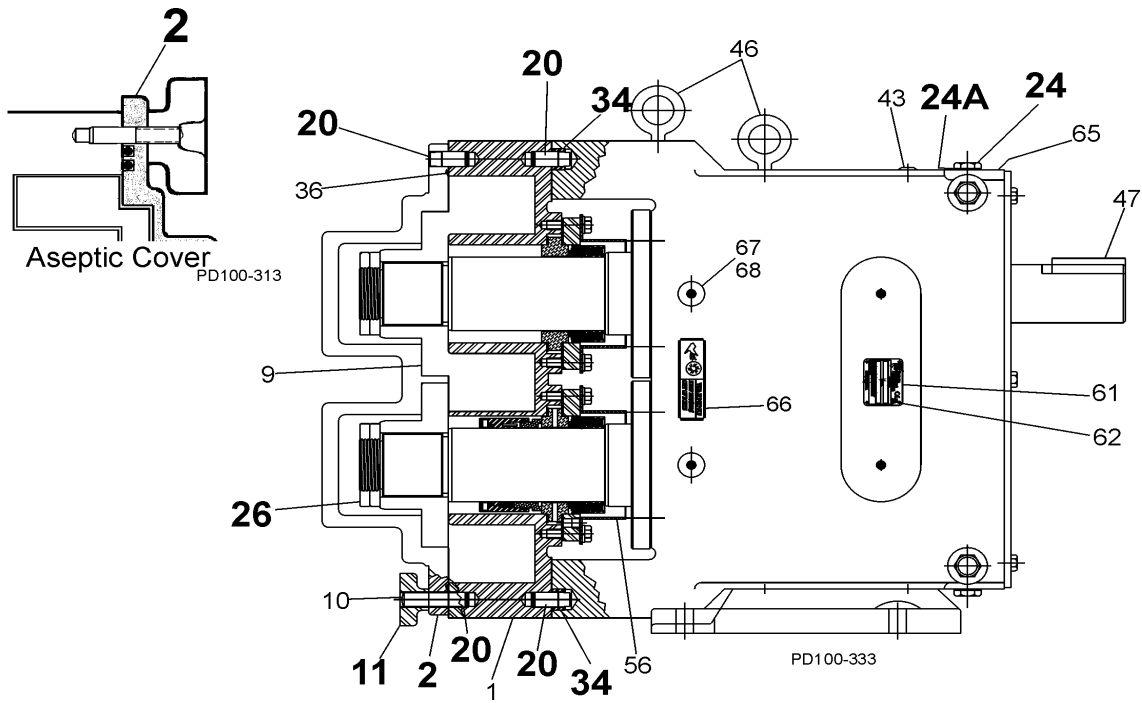
320 - 324 - 323-U1 COMMON PARTS PRICE LIST

ITEM NO.	DESCRIPTION	QTY. PER PUMP	PART NO.	NOTES
2	320-324-U1 Pump Cover	1	OH1 002 002	
	323-U1 Pump Cover	1	323 002 020	
3	Gear Case, CI	1	OH1 005 000	3, 5
	Gear Case, CI	1	40616	4
4	Gear Case Cover, Steel	1	40669	
5	Gear, Drive Shaft, Spur	1	102470	
6	Gear, Short Shaft, Spur	1	102470	
11	Wing Nut	8	110858	
	Hex Nut, optional	8	108373	
12	Oil Seal, Gear Case Cover	1	STD 030 004	
13	Oil Seal, Gear Case Rear	2	STD 119 000	3
	Oil Seal, Gear Case Rear	2	102475	4
14	Grease Seal, Bearing Retainer	2	STD 030 002	
	Bearing Isolator, includes STD. Bearing Retainer	2	X06634-3	
15	Bearing, Rear	2	OH1 036 000	
16	Bearing, Front	2	OH1 036 003	
17	Key, Gear	2	OH1 037 000	
20	Dowel Pins	4	OH1 040 000	
24	Plug w/ washer, 3/4-16	6	000 046 004	40
	Oil Plug, M20 x 1.5"	5	115798	41
	Oil Level Indicator, M20 x 1.5"	1	115799	41
25	Silicone Sealant	1	000 142 301	
26	Jam Nut, Rotor	4	OH1 052 003	
27	Shim Kit	2	117893	
29	Spacer, Gear to Rear Bearing	2	117691	3
	Spacer, Gear to Rear Bearing	2	102474	4
30	Bearing Spacer	2	102473	4
30A	Spacer Front Bearing	2	102472	4
31	Grease Retainer, Rear Bearing	2	STD 091 000	
32	Bearing Retainer, Front	2	OH1 080 000	
33A	3/8-16 x .75" HHCS, Gear Case cover	6	30-314	
33B	5/16-18 x 1" SHCS, Bearing Retainer	8	30-343	
33C	3/8" Washer, Plain	6	43-189	
34	Dowel Bushings	2	OH1 116 000	

NOTES:

- 3. Pumps shipped prior to July 30, 2001
- 4. Pumps shipped starting July 30, 2001.
- 5. No longer manufactured, consult factory for upgrade of gear case subassembly.
- 40. Pumps shipped prior to 5/15/03
- 41. Pumps shipped after 5/15/03

320 - 324 - 323-U1 Common Parts Diagram



320 - 324 - 323-U1 COMMON PARTS PRICE LIST

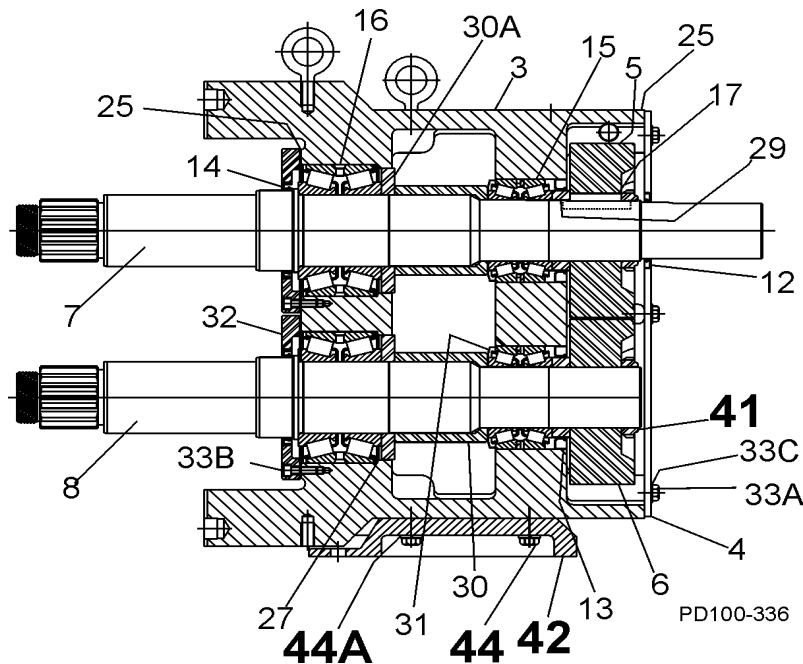
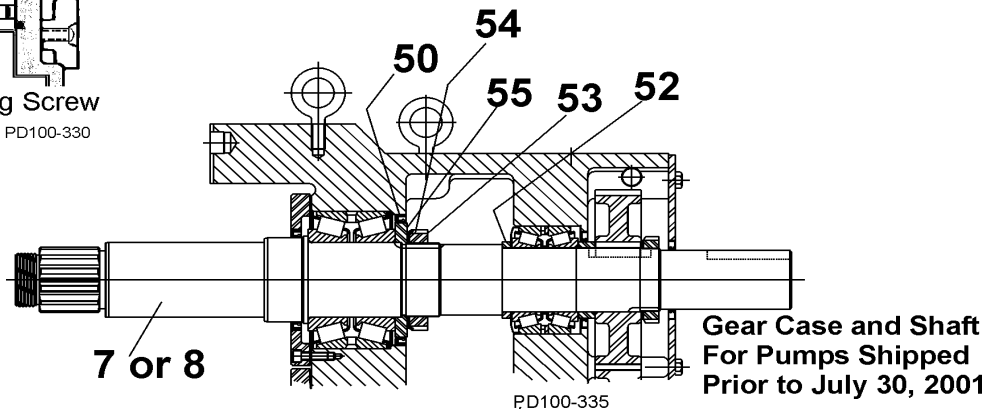
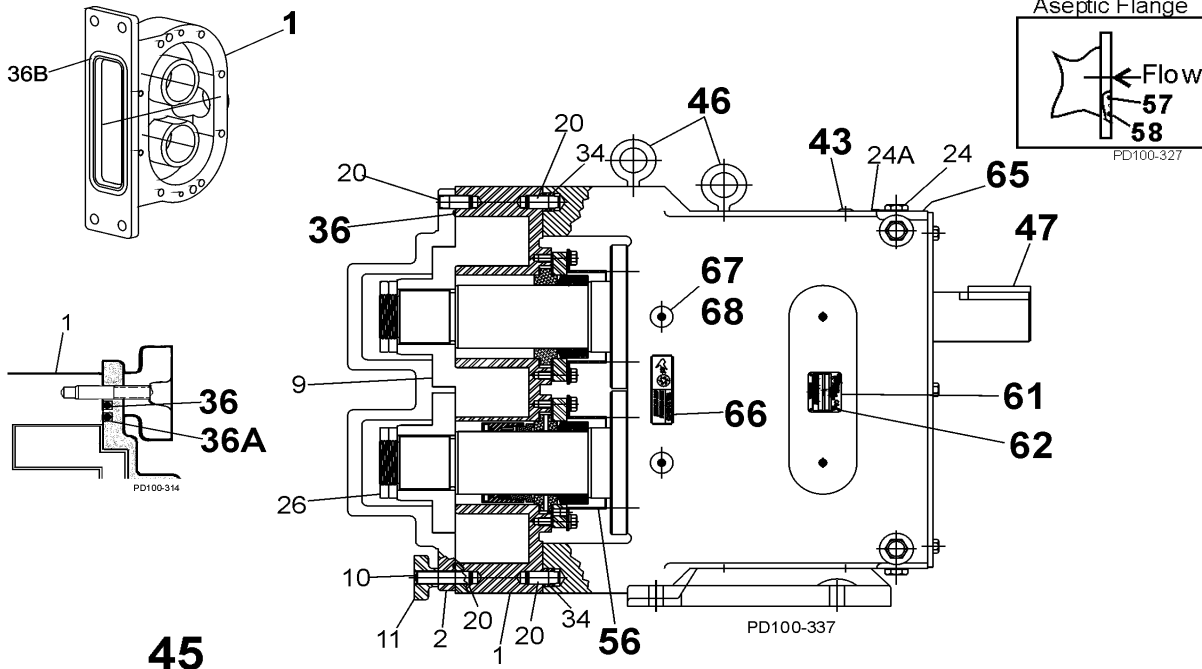
ITEM NO.	DESCRIPTION	QTY. PER PUMP	PART NO.	NOTES
* * * *	O-Ring, Pump Cover, Buna N	1	N70280	
	O-Ring, Pump Cover, EPDM	1	E70280	
	O-Ring, Pump Cover, FKM	1	V70280	
	O-Ring, Pump Cover, Silicone	1	323 117 013	
* * *	323-U1 O-Ring, Pump Cover, Inner, EPDM	1	323 117 002	11
	323-U1 O-Ring, Pump Cover, Inner, FKM	1	323 117 004	11
	323-U1 O-Ring, Pump Cover, Inner, Silicone	1	323 117 003	11
36B	324-U1 O-Ring, Rectangular Flange	1	N70382	
41	Locknut, Gear	2	105697	
42	Gear Case Shim, CI	1	40288	
	Pump Pedestal, 22"	1	324 110 226	
43	Plastic Cap Plug	6	000 121 001	
44	1/2-13 x 1.75" SHCS	4	30-250	
44A	Lockwasher, 1/2"	4	43-177	
45	Body Retaining, 3/8-16 x 4" SHCS	2	30-323	
46	1/2-13 Eye Bolt	3	30-360	
47	Key, Coupling - 5/8 x 5/8 x 2"	1	000 037 005	
48	Cleanout Plug	2	41013	
50	Grease Retainer, Gear Case, Front Bearing	2	STD 030 003	3
52	Spacer, Rear Bearing	2	OH1 055 002	3
53	Locknut, Front Bearing	2	OH1 236 001	3
54	Lockwasher, Front Bearing	2	OH1 136 001	3
55	Spacer, Front Bearing	2	OH1 055 001	3
56	Guard, Seal	2	113505	
* * *	O-Ring, Port, Inner, Silicone	2	S75261	11
	O-Ring, Port, Inner, EPDM	2	E70261	11
	O-Ring, Port, Inner, FKM	2	V70261	11
* * *	O-Ring, Port, Outer, Silicone	2	S75265	11
	O-Ring, Port, Outer, EPDM	2	E70265	11
	O-Ring, Port, Outer, FKM	2	V70265	11
61	Name Plate	1	001 061 015	
62	#2 x .125" RHDS	4	30-355	
63	O-ring Removal Tool	1	AD0 096 001	
64	Rotor Nut Wrench, SS	1	112829	
65	Caution Plate	2	33-62	
66	Warning Label	2	33-60	
67	320-323-U1 Grease Fitting, 1/8"	4	BD0 092 000	
	324-U1 Grease Fitting, 1/8"	4	BD0 092 100	
68	Plastic Cap, Grease Fitting	4	BD0 093 000	

NOTES:

- 3. Pumps shipped prior to July 30, 2001
- 4. Pumps shipped starting July 30, 2001.
- 11. Used on 323-U1 only.

* **Recommended Spare Parts**

320 - 324 - 323-U1 Common Parts Diagram



320 - 324 - 323-U1 SEAL PARTS PRICE LIST

ITEM NO.	DESCRIPTION	QTY. PER PUMP	PART NO.	NOTES
MECHANICAL SEAL PARTS				
OUTER SEAL				
* 70	Crane #8B2 Outer Seal, Carbon	2	323 114 003	30
* 70B	O-Ring, Outer Seal, Shaft, EPDM	2	E70234	
* 70B	O-Ring, Outer Seal, Shaft, FKM	2	V70234	
* 70B	O-Ring, Outer Seal, Shaft, Silicone	2	S75234	
* 72	"T" Seat, Plain, Ceramic	2	300 014 012	
* 72	"T" Seat, Plain, Tungsten Carbide	2	300 014 013	
* 72	"T" Seat, Plain, Silicon Carbide	2	300 014 016	
* 72B, 72C	Gasket, Inner and Outer	4	300 042 001	
73	Gland, Plain	2	300 034 001	
73B	3/8-16 x 1-1/4" HHCS	8	30-60	
73C	Lockwasher, 3/8"	8	43-28	
INNER SEAL				
* 71	Waukesha HD Inner Seal, Silicon Carbide	2	40572	16
* 71	Waukesha HD Inner Seal, Ceramic	2	40573	16
* 71	Waukesha HD Inner Seal, Chrome Oxide	2	40574	16
* 71A	Seal Face, Silicon Carbide	2	40754	
* 71A	Seal Face, Ceramic	2	40755	
* 71A	Seal Face, Chrome Oxide	2	40756	
* 71A	Seal Face, Tungsten Carbide	2	109347	
* 71A	Seal Face, Carbon	2	36027	
* 71B	O-Ring, Inner Seal, Shaft, EPDM	2	E70234	
* 71B	O-Ring, Inner Seal, Shaft, FKM	2	V70234	
* 71B	O-Ring, Inner Seal, Shaft, Silicone	2	S75234	
* 71D	Spring	12	40875	
* 71F	Set Screw	8	110038	
* 71H	O-Ring, Inner Seal, Seal Face, EPDM	2	E70238	
* 71H	O-Ring, Inner Seal, Seal Face, FKM	2	V70238	
* 71H	O-Ring, Inner Seal, Seal Face, Silicone	2	S75238	
INNER - OUTER SEAL				
71C	Carrier Inner Sub-Assembly	1	35284	
* 72A	"T" Seat, Flushed, Ceramic	2	300 014 027	
* 72A	"T" Seat, Flushed, Tungsten Carbide	2	300 014 028	
* 72A	"T" Seat, Flushed, Chrome Oxide	2	300 014 029	
* 72A	"T" Seat, Flushed, Silicon Carbide	2	300 014 031	
* 72B	Gasket, Inner	2	300 042 001	
* 72C	Gasket, Flushed Gland, Outer	2	300 042 002	
73A	Gland, Flushed	2	300 034 001	
73B	3/8-16 x 1-1/4" HHCS	8	30-60	
73C	3/8" Lockwasher	8	43-28	

NOTES:

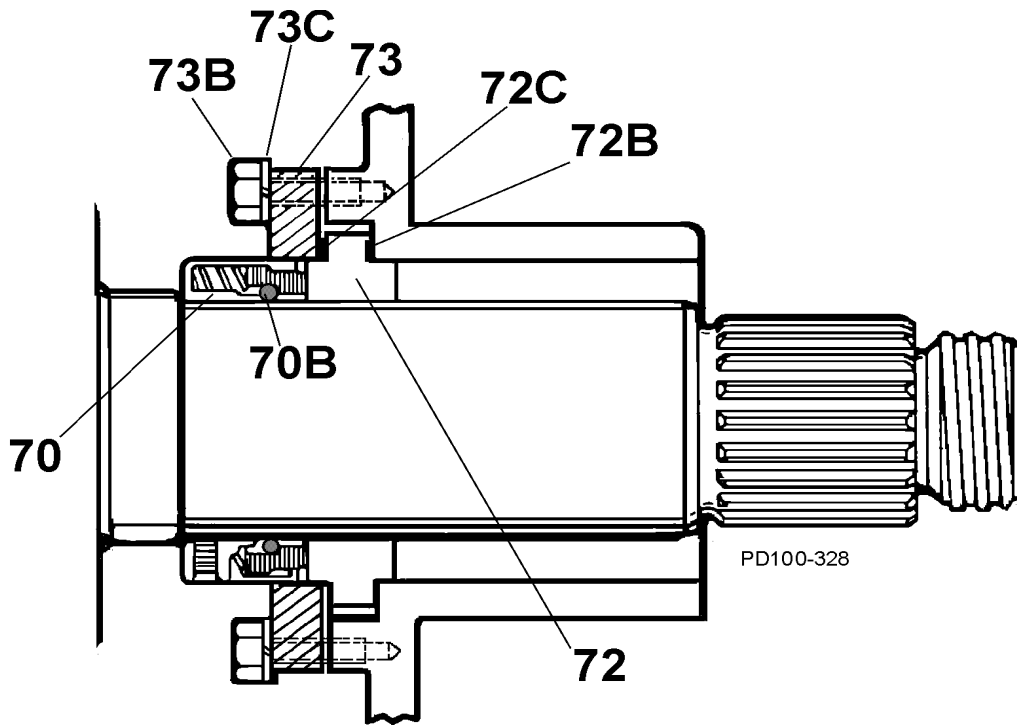
16. Complete Inner Seal with FKM O-Rings.

30. Alternate materials available. Standard is listed. Contact factory for information.

* **Recommended Spare Parts**

320 - 324 - 323-U1 Seals Parts Diagram

320 - 324-U1 Outer Seal



320 - 324 - 323-U1 Inner-Outer Seal

