

2065LV - 2065 - 2065HV PUMP PARTS LIST

ITEM NO.	DESCRIPTION	QTY. PER PUMP	PART NO.	NOTES
1	Casing (see list following)	1		
2	2065LV Impeller, 6.5" Dia., 143-215JM, SM Bore	1	CENTPT00377	1
	2065LV Impeller, 6.5" Dia., 254-326JM, LG Bore	1	CENTPT00351	1
	2065 Impeller, 6.5" Dia., 143-215JM, SM Bore	1	CENTPT00243	1
	2065 Impeller, 6.5" Dia., 254-326JM, LG Bore	1	CENTPT00479	1
	2065HV Impeller, 6.5" Dia., 143-215JM, SM Bore	1	CENTPT00567	1
	2065HV Impeller, 6.5" Dia., 254-326JM, LG Bore	1	CENTPT00568	1
3	Impeller Retainer, 143-215JM SM Bore	1	129-771X	
	Impeller Retainer, 254-326JM LG Bore	1	129-772X	
* * * * *	Impeller O-Ring, FKM	1	V70220	
	Impeller O-Ring, EPDM	1	E70220	
	Impeller O-Ring, Silicone	1	S75220	
	Impeller O-Ring, FFKM	1	K75220	
	Impeller O-Ring, PTFE ENCAPSULATED	1	T80220	
5	Adapter, 143-184JM Frame, STD.	1	2-168	
	Adapter, 213-215JM Frame, STD.	1	2-169	
	Adapter, 254-256JM Frame, STD.	1	2-170	
	Adapter, 284-326JM Frame, STD.	1	2-196	
	Adapter, 143-184JM Frame, SS	1	113416	
	Adapter, 213-215JM Frame, SS	1	113067	
	Adapter, 254-256JM Frame, SS	1	114031	
	Adapter, 284-326JM Frame, SS	1	116290	
6	Seal Guard, for Machined Casting Backplate - 143/215JM	1	70-23	
	Seal Guard, for Machined Casting Backplate - 254/256JM	1	70-24	
	Seal Guard, for Machined Backplate - 284/286JM	1	114508	4
7	3/8-16 x 1" Hex Screw, 143-184JM Frame	4	30-30	
	1/2-13 x 1-1/4" Hex Screw, 213-256JM Frame	4	30-36X	
	5/8-11 x 1-1/2" Hex Screw, 284-326JM Frame	4	30-105	
8	3/8" Lockwasher	4	43-28	
	1/2" Lockwasher	4	43-16	
	5/8" Lockwasher	4	43-33	
* * * * *	Casing O-Ring, FKM	1	V70439	
	Casing O-Ring, EPDM	1	E70439	
	Casing O-Ring, Silicone	1	S75439	
	Casing O-Ring, FFKM	1	K75439	
	Casing O-Ring, PTFE ENCAPSULATED	1	T80439	
10	Backplate	1	1-60X	
11	Casing Clamp	1	119-70	
12	Key-3/16", 143-215JM, SM Bore	1	65-3	
	Key-1/4", 254-326JM, LG Bore	1	65-4	

PL5030-CH3

NOTES:

Price of each F.O.B. Delavan, WI, subject to change without notice.

* Recommended Spare Parts - available as kits for standard seals - see page 15.



1. Trimmed impellers use same part number; specify diameter required in 1/8" increments on order.

4. For machined backplates starting in November 2000.

2065LV - 2065 - 2065HV CASING PARTS LIST

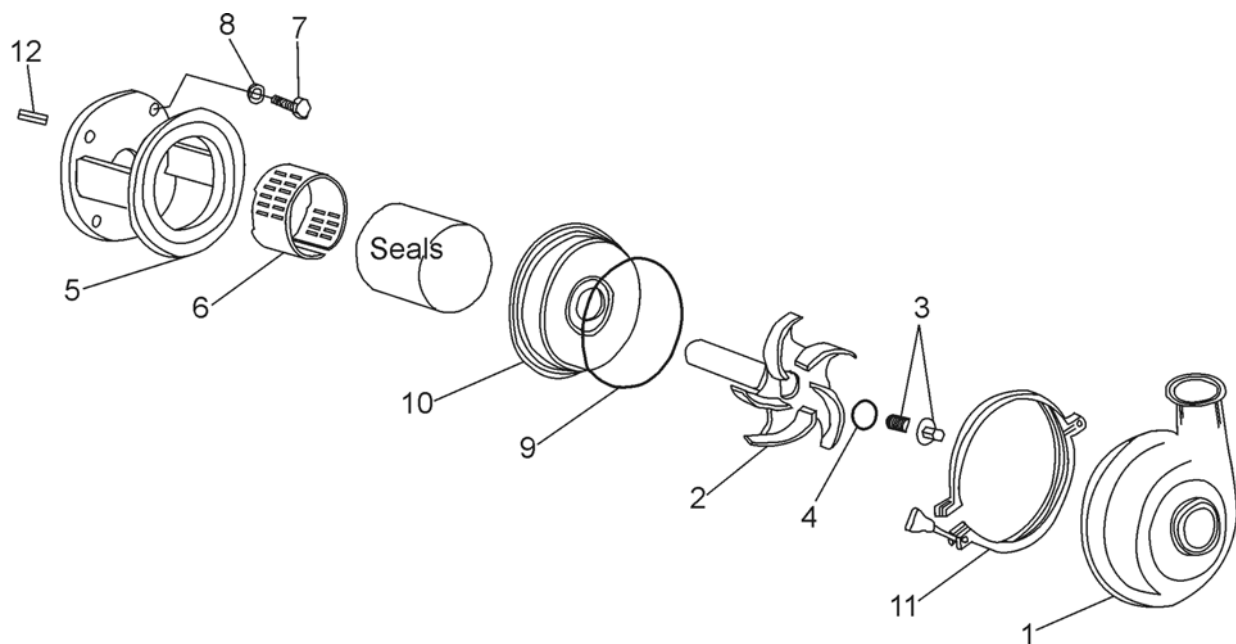
FITTING TYPE	2065LV SANITARY			2065 SANITARY	2065HV SANITARY	NOTES
	1-1/2 x 1-1/2	2 x 1-1/2	2-1/2 x 1-1/2	2-1/2 X 2	3 X 2	
S-Line (MP)	CENTPT00569	CENTPT00455	CENTPT00413	CENTPT00417	CENTPT00570	
Bevel Seat	CENTPT00571	CENTPT00572	CENTPT00573	CENTPT00574	CENTPT00575	
I-Line; Female	CENTPT00576	CENTPT00577	CENTPT00578	CENTPT00579	CENTPT00580	
I-Line; Male	CENTPT00581	CENTPT00582	CENTPT00583	CENTPT00584	CENTPT00585	
Q-Line	CENTPT00586	CENTPT00587	CENTPT00588	CENTPT00589	CENTPT00590	
Weld	CENTPT00591	CENTPT00592	CENTPT00593	CENTPT00594	CENTPT00595	
NPT; Male	CENTPT00596	CENTPT00597	CENTPT00598	CENTPT00599	CENTPT00600	1
NPT; Female	CENTPT00601	CENTPT00602	CENTPT00603	CENTPT00604	CENTPT00605	1
150 LB. Flange	CENTPT00606	CENTPT00607	CENTPT00608	CENTPT00609	CENTPT00280	1

PL5030-CH4

NOTES:

Price of each F.O.B. Delavan, WI, subject to change without notice.

1. These casings **do not** meet the requirements of 3A Sanitary Standards.



CT100-113a

