

2075 PUMP PARTS LIST

ITEM NO.	DESCRIPTION	QTY. PER PUMP	PART NO.	NOTES
1	Casing (see list following)	1		
2	2075 Impeller, 8.7" Dia., 143-215JM, SM Bore	1	CENTPT00678	1
	2075 Impeller, 8.7" Dia., 254-326JM, LG Bore	1	CENTPT00679	1
3	Impeller Retainer, 143-215JM, SM, Bore	1	129-771X	
	Impeller Retainer, 254-326JM, LG, Bore	1	129-772X	
* * * * *	Impeller O-Ring, FKM	1	V70220	
	Impeller O-Ring, EPDM	1	E70220	
	Impeller O-Ring, Silicone	1	S75220	
	Impeller O-Ring, FFKM	1	K75220	
	Impeller O-Ring, PTFE ENCAPSULATED	1	T80220	
5	Adapter, 143-184JM Frame, STD.	1	2-171	
	Adapter, 213-215JM Frame, STD.	1	2-172	
	Adapter, 254-256JM Frame, STD.	1	2-173	
	Adapter, 284-326JM Frame, STD.	1	2-174	
	Adapter, 143-184JM Frame, SS	1	114032	
	Adapter, 213-215JM Frame, SS	1	114033	
	Adapter, 254-256JM Frame, SS	1	113068	
	Adapter, 284-326JM Frame, SS	1	114080	
6	Seal Guard, 143-215JM Frame	1	70-24	
	Seal Guard for Machined Backplate, 284-326 Frame	1	114508	4
	Seal Guard, 254-256JM Frame	1	70-24	
	Seal Guard, 284-326JM Frame	1	70-25	
7	3/8-16 x 1" Hex Screw, 143-184JM Frame	4	30-30	
	1/2-13 x 1-1/4 Hex Screw, 213-256JM Frame	4	30-36X	
	5/8-11 x 1-1/2" Hex Screw, 284-326JM Frame	4	30-105	
8	3/8" Lockwasher	4	43-28	
	1/2" Lockwasher	4	43-16	
	5/8" Lockwasher	4	43-33	
* * * * *	Casing O-Ring, FKM	1	V70446	
	Casing O-Ring, EPDM	1	E70446	
	Casing O-Ring, Silicone	1	S75446	
	Casing O-Ring, FFKM	1	K75446	
	Casing O-Ring, PTFE ENCAPSULATED	1	T80446	
10	Backplate	1	1-61X	
11	Casing Clamp	1	119-69	
12	Key-3/16", 143-215JM, SM Bore	1	65-3	
	Key-1/4", 254-326JM, LG Bore	1	65-4	

PL5030-CH5

NOTES

Price of each F.O.B. Delavan, WI, subject to change without notice.

* Recommended Spare Parts - available as kits for standard seals - see page 15.

1. Trimmed impellers use same part number and price; specify diameter required in 1/8" increments on order.

4. For machined backplates starting November, 2000.

Holland[®]
APPLIED TECHNOLOGIES
 Indianapolis • Chicago • San Juan
www.hollandapt.com

2075 CASING PARTS LIST

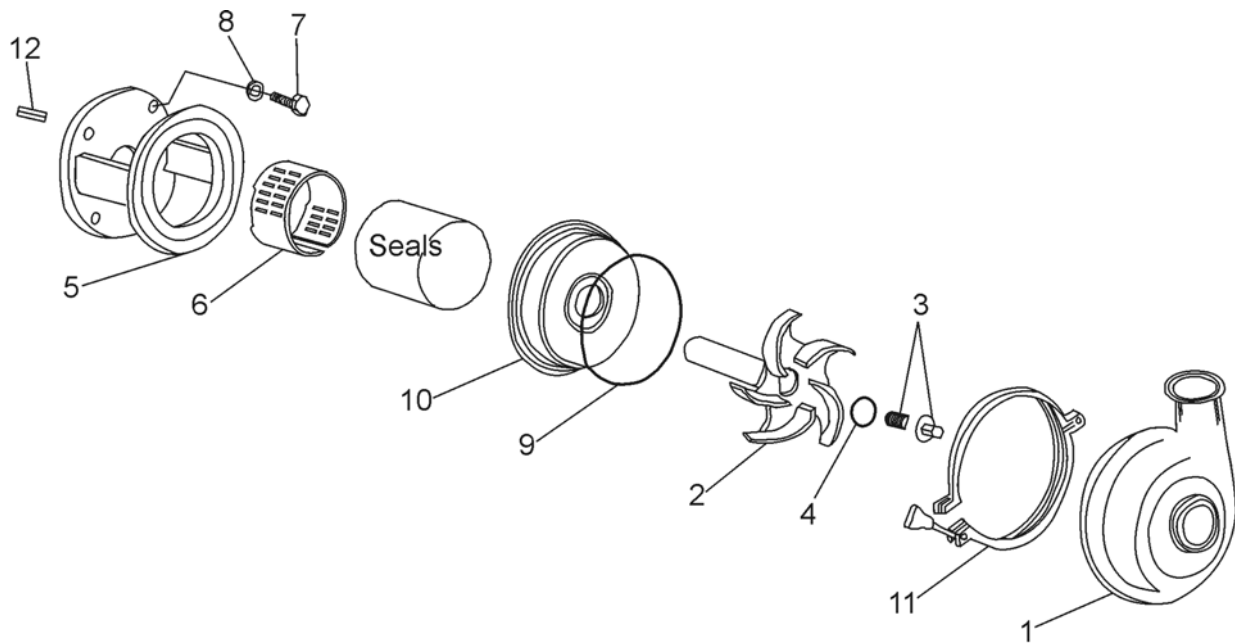
FITTING TYPE	SANITARY	NOTES
	3 x 1-1/2	
S-Line	CENTPT00669	
Bevel Seat	CENTPT00670	
I-Line; Female	CENTPT00671	
I-Line; Male	CENTPT00672	
Q-Line	CENTPT00673	
Weld	CENTPT00674	
NPT; Male	CENTPT00675	1
NPT; Female	CENTPT00676	1
150 LB. Flange	CENTPT00677	1

PL5030-CH6

NOTES:

Price of each F.O.B. Delavan, WI, subject to change without notice.

1. These casings **do not** meet the requirements of 3A Sanitary Standards.



CT100-113a

