

2085LV - 2085 PUMP PARTS LIST

| ITEM NO. | DESCRIPTION | QTY. PER PUMP | PART NO. | NOTES |
|-----------------------|--|---------------|-------------|-------|
| 1 | Casing (see list following) | 1 | | |
| 2 | 2085LV Impeller, 8.7" Dia., 143-215JM, SM Bore | 1 | CENTPT00423 | 1 |
| | 2085LV Impeller, 8.7" Dia., 254-326JM, LG Bore | 1 | CENTPT00610 | 1 |
| | 2085 Impeller, 8.7" Dia., 143-215JM, SM Bore | 1 | CENTPT00611 | 1 |
| | 2085 Impeller, 8.7" Dia., 254-326JM, LG Bore | 1 | CENTPT00612 | 1 |
| 3 | Impeller Retainer, 143-215JM, SM, Bore | 1 | 129-771X | |
| | Impeller Retainer, 254-326JM, LG, Bore | 1 | 129-772X | |
| * * * * * | Impeller O-Ring, FKM | 1 | V70220 | |
| | Impeller O-Ring, EPDM | 1 | E70220 | |
| | Impeller O-Ring, Silicone | 1 | S75220 | |
| | Impeller O-Ring, FFKM | 1 | K75220 | |
| | Impeller O-Ring, PTFE ENCAPSULATED | 1 | T80220 | |
| 5 | Adapter, 143-184JM Frame, STD. | 1 | 2-171 | |
| | Adapter, 213-215JM Frame, STD. | 1 | 2-172 | |
| | Adapter, 254-256JM Frame, STD. | 1 | 2-173 | |
| | Adapter, 284-326JM Frame, STD. | 1 | 2-174 | |
| | Adapter, 143-184JM Frame, SS | 1 | 114032 | |
| | Adapter, 213-215JM Frame, SS | 1 | 114033 | |
| | Adapter, 254-256JM Frame, SS | 1 | 113068 | |
| | Adapter, 284-326JM Frame, SS | 1 | 114080 | |
| 6 | Seal Guard, 143-215JM Frame | 1 | 70-24 | |
| | Seal Guard for Machined Backplate, 284-326 Frame | 1 | 114508 | 4 |
| | Seal Guard, 254-256JM Frame | 1 | 70-26 | |
| | Seal Guard, 284-326JM Frame | 1 | 70-25 | |
| 7 | 3/8-16 x 1" Hex Screw, 143-184JM Frame | 4 | 30-30 | |
| | 1/2-13 x 1-1/4" Hex Screw, 213-256JM Frame | 4 | 30-36X | |
| | 5/8-11 x 1-1/2" Hex Screw, 284-326JM Frame | 4 | 30-105 | |
| 8 | 3/8" Lockwasher | 4 | 43-28 | |
| | 1/2" Lockwasher | 4 | 43-16 | |
| | 5/8" Lockwasher | 4 | 43-33 | |
| * * * * * | Casing O-Ring, FKM | 1 | V70446 | |
| | Casing O-Ring, EPDM | 1 | E70446 | |
| | Casing O-Ring, Silicone | 1 | S75446 | |
| | Casing O-Ring, FFKM | 1 | K75446 | |
| | Casing O-Ring, PTFE ENCAPSULATED | 1 | T80446 | |
| 10 | Backplate | 1 | 1-61X | |
| 11 | Casing Clamp | 1 | 119-69 | |
| 12 | Key-3/16", 143-215JM, SM Bore | 1 | 65-3 | |
| | Key-1/4", 254-326JM, LG Bore | 1 | 65-4 | |

PL5030-CH7

NOTES:

Price of each F.O.B. Delavan, WI, subject to change without notice.

* Recommended Spare Parts - available as kits for standard seals - see page 15.



- 1. Trimmed impellers use same part number and price; specify diameter required in 1/8" increments on order.
- 4. For machined backplates starting November, 2000.

2085LV - 2085 CASING PARTS LIST

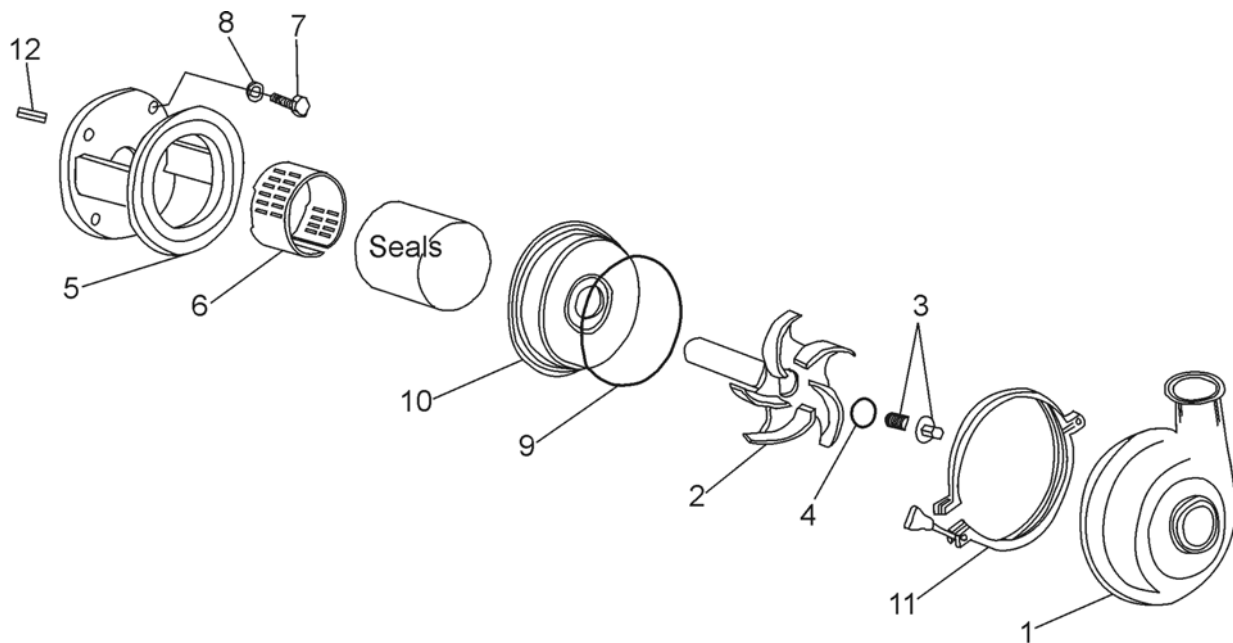
| FITTING TYPE | 2085LV SANITARY | 2085 SANITARY | | NOTES |
|----------------|-----------------|---------------|-------------|-------|
| | 2 X 1-1/2 | 3 x 2-1/2 | 4 x 2-1/2 | |
| S-Line | CENTPT00613 | CENTPT00462 | CENTPT00477 | |
| Bevel Seat | CENTPT00614 | CENTPT00615 | CENTPT00616 | |
| I-Line; Female | CENTPT00617 | CENTPT00618 | CENTPT00619 | |
| I-Line; Male | CENTPT00620 | CENTPT00621 | CENTPT00622 | |
| Q-Line | CENTPT00623 | CENTPT00624 | CENTPT00625 | |
| Weld | CENTPT00626 | CENTPT00627 | CENTPT00628 | |
| NPT; Male | CENTPT00629 | CENTPT00630 | CENTPT00631 | 1 |
| NPT; Female | CENTPT00632 | CENTPT00633 | CENTPT00634 | 1 |
| 150 LB. Flange | CENTPT00635 | CENTPT00636 | CENTPT00637 | 1 |

PL5030-CH8

NOTES:

Price of each F.O.B. Delavan, WI, subject to change without notice.

1. These casings **do not** meet the requirements of 3A Sanitary Standards.



CT100-113a

