

C-100 PUMP PARTS LIST

ITEM NO.	DESCRIPTION	QTY. PER PUMP	PART NO.	NOTES
1	Casing, 1.5" x 1" w/ S-Line Ports	1	60000	1, 4
2	Impeller, Full 3.68" Diameter	2	60026	2, 4
6	Stub Shaft, 56C Frame	1	60050	
	Stub Shaft, 143TC - 145TC Frame	1	60051	
6A	Shaft Set Screw	2	30-22	
11	Backplate	1	60597	4
* 24	Impeller Retainer	1	60039	
40	Deflector, 56C - 145TC Frame	1	60042	
71	Adapter, 56C Frame	1	60596	
	Adapter, 143TC - 145TC Frame	1	60600	
71B	Adapter Mounting Bolt	4	30-30	
75K	Wing Nut	2	60083	
* 80	Carbon Seal	1	60084	
80A	Cup	1	60088	
* 80B	Seal O-Ring, Buna N	1	N70214	
* 80B	Seal O-Ring, FKM	1	V70214	
80C	Spring	1	60091	
* 90	Casing O-Ring, Buna N	1	N70153	
* 90	Casing O-Ring, FKM	1	V70153	

PL5050-CH1

NOTES:

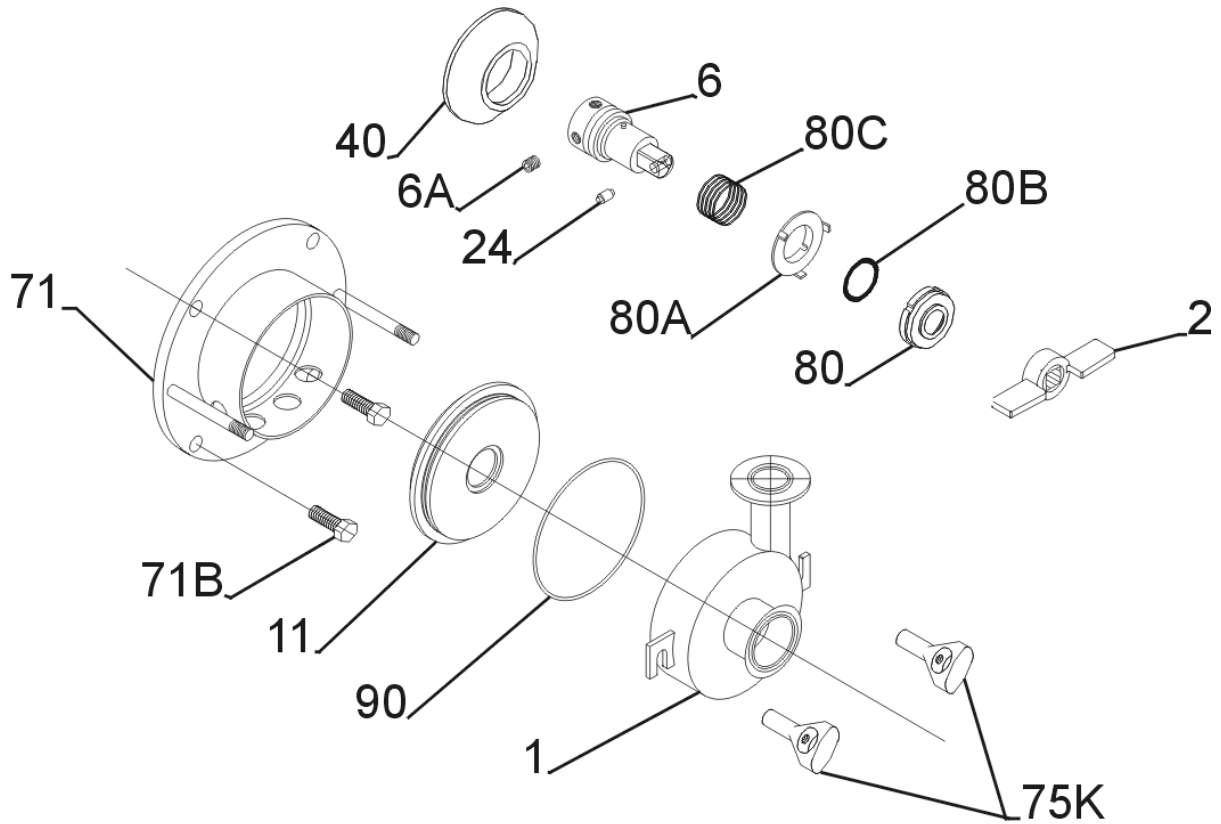
Price of each F.O.B. Delavan, WI, subject to change without notice.

* Recommended Spare Parts - also available in kits - see page 15.

1. For casings with Bevel threaded, Female I-Line, NPT, or Flanged connections, please contact factory.
2. Contact factory for trimmed impeller part numbers. Specify diameter required on order.
4. Contact factory if casing drain, passivation, or optional finish is required.



C-100 PUMP PARTS DIAGRAM



CT100-053

Shown with the standard type "D" seal.

