

C-114 PUMP PARTS LIST

ITEM NO.	DESCRIPTION	QTY. PER PUMP	PART NO.	NOTES
1	Casing, 1-1/2" x 1-1/2" w/ S-Line Ports	1	60001	1, 4
	Casing, 2" x 1-1/2" w/ S-Line Ports	1	60002	1, 4
2	Impeller, Full 4" Diameter	1	60027	2, 4
6	Stub Shaft, 56C Frame	1	60052	
	Stub Shaft, 143TC - 145TC Frame	1	60053	
	Stub Shaft, 182TC - 184TC Frame	1	60054R2	
6A	Shaft Set Screw	2	30-22	
11	Backplate	1	60010	4, 5
11F	Backplate Pin	2	60013	
* 24	Impeller Retainer	1	60039	
40	Deflector, 56C - 145TC Frame	1	60042	
	Deflector, 182TC - 184TC Frame	1	60043	
71	304 SS Adapter, 56C - 145TC Frame	1	60748	
	304 SS Adapter, 182TC - 184TC Frame	1	60749	
71A	Adapter Pin	2	30-434	
71B	Adapter Mounting Bolt, 56C - 145TC Frame	4	30-60	
	Adapter Mounting Bolt, 182TC - 184TC Frame	4	30-78	
75	Clamp Assembly	1	60080	
75K	Wing Nut	1	60083	
* 80	Carbon Seal	1	60085	
80A	Cup	1	60088	
* 80B	Seal O-Ring, Buna N	1	N70210	
* 80B	Seal O-Ring, FKM	1	V70210	
80C	Spring	1	60091	
80K	Set Screw	2	30-662	
80L	Drive Collar	1	60094R1	
* 90	Casing Gasket, Buna N	1	60099	
* 90	Casing Gasket, FKM	1	60100	
131	Guard Assembly, 56C - 145TC Frame	1	60782	
	Guard Assembly, 182TC - 184TC Frame	1	60783	

PL5050-CH2

NOTES:

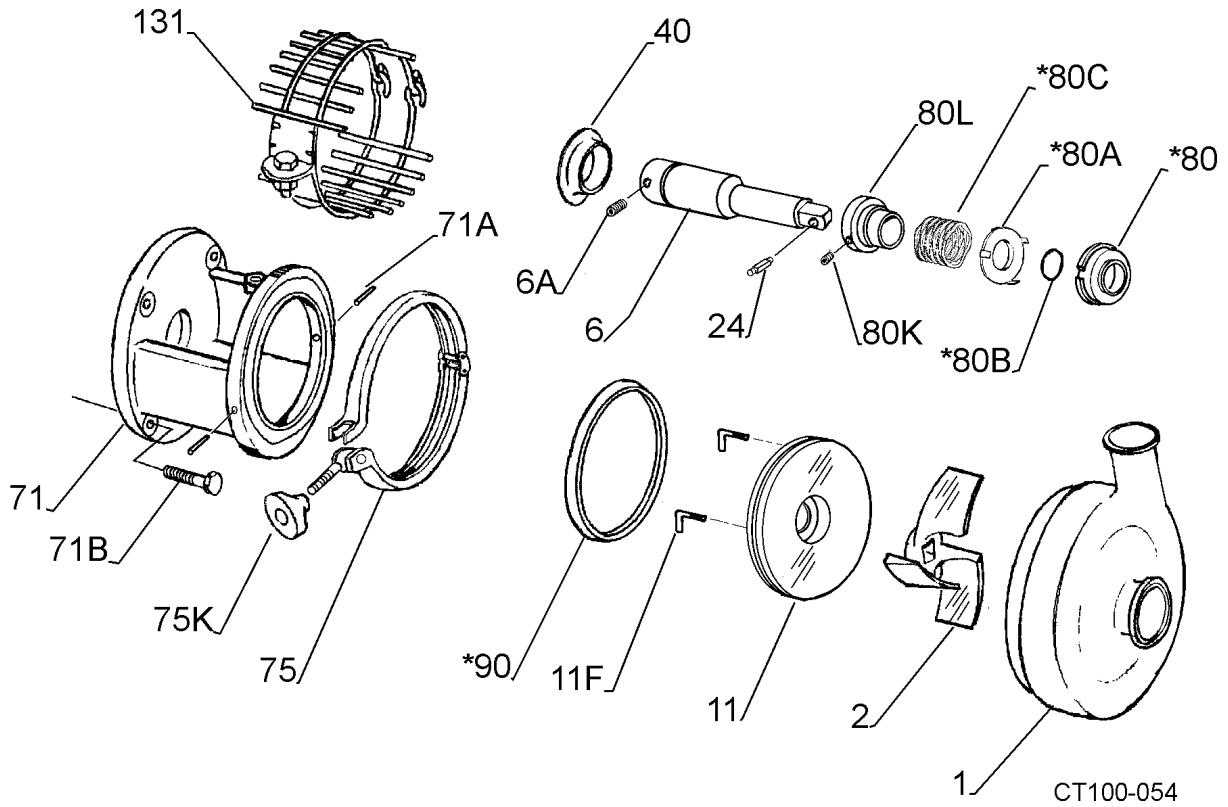
Price of each F.O.B. Delavan, WI, subject to change without notice.

* Recommended Spare Parts - also available in kits - see page 15.

1. For casings with Bevel threaded, Female I-Line, NPT, or Flanged connections, please contact factory.
2. Contact factory for trimmed impeller part numbers. Specify diameter required on order.
4. Contact factory if casing drain, passivation, or optional finish is required.
5. Used with standard "D" seal only.

Holland[®]
APPLIED TECHNOLOGIES
 Indianapolis • Chicago • San Juan
www.hollandapt.com

C-114 PUMP PARTS DIAGRAM



Shown with standard type "D" seal.

For other optional seals see "Type 'E' Water Cooled Double Balanced Seal Option" on pages 13 & 14 and "Type 'DG' Seal Assembly Options" on pages 11 & 12.

