

## C-216 PUMP PARTS LIST

ITEM NO.	DESCRIPTION	QTY. PER PUMP	PART NO.	NOTES
1	Casing, 2" x 1-1/2" w/ S-Line Ports	1	60003	1, 4
	Casing, 2-1/2" x 1-1/2" w/ S-Line Ports	1	60004	1, 4
2	Impeller, Full 6" Diameter	1	60028	2, 4
6	Stub Shaft, 56C Frame	1	60055	
	Stub Shaft, 143TC - 145TC Frame	1	60056	
	Stub Shaft, 182TC - 184TC Frame	1	60057	
	Stub Shaft, 213TC - 215TC Frame	1	60058R3	
	Stub Shaft, 254TC - 256TC Frame	1	60059R3	
6A	Shaft Set Screw, 56C - 184TC Frame	2	30-38	
	Shaft Set Screw, 213TC - 256TC Frame	4	30-38	
11	Backplate	1	60011	4, 5
11F	Backplate Pin	2	60013	
* 24	<b>Impeller Retainer</b>	1	60040	
40	Deflector, 56C - 184TC Frame	1	60044	
	Deflector, 213TC - 215TC Frame	1	60045	
	Deflector, 254TC - 256TC Frame	1	60046	
71	304 SS Adapter, 56C - 145TC Frame	1	60750	
	304 SS Adapter, 182TC - 184TC Frame	1	60751	
	304 SS Adapter, 213TC - 215TC Frame	1	60752	
	304 SS Adapter, 254TC - 256TC Frame	1	60753	
71A	Adapter Pin	2	30-434	
71B	Adapter Mounting Bolt, 56C - 145TC Frame	4	30-60	
	Adapter Mounting Bolt, 182TC - 256TC Frame	4	30-78	
75	Clamp Assembly	1	60081	
75K	Wing Nut	1	60083	
* 80	<b>Carbon Seal</b>	1	60086	
80A	Cup	1	60089	
* 80B	<b>Seal O-Ring, Buna N</b>	1	N70216	
* 80B	<b>Seal O-Ring, FKM</b>	1	V70216	
80C	Spring	1	60092	
80K	Set Screw	2	30-178	
80L	Drive Collar	1	60095R1	
* 90	<b>Casing Gasket, Buna N</b>	1	60101	
* 90	<b>Casing Gasket, FKM</b>	1	60102	
131	Guard Assembly, 56C - 145TC	1	60784	
	Guard Assembly, 182TC - 184TC	1	60785	
	Guard Assembly, 213TC - 215TC	1	60786	
	Guard Assembly, 254TC - 256TC	1	60787	

PL5050-CH3

## NOTES:

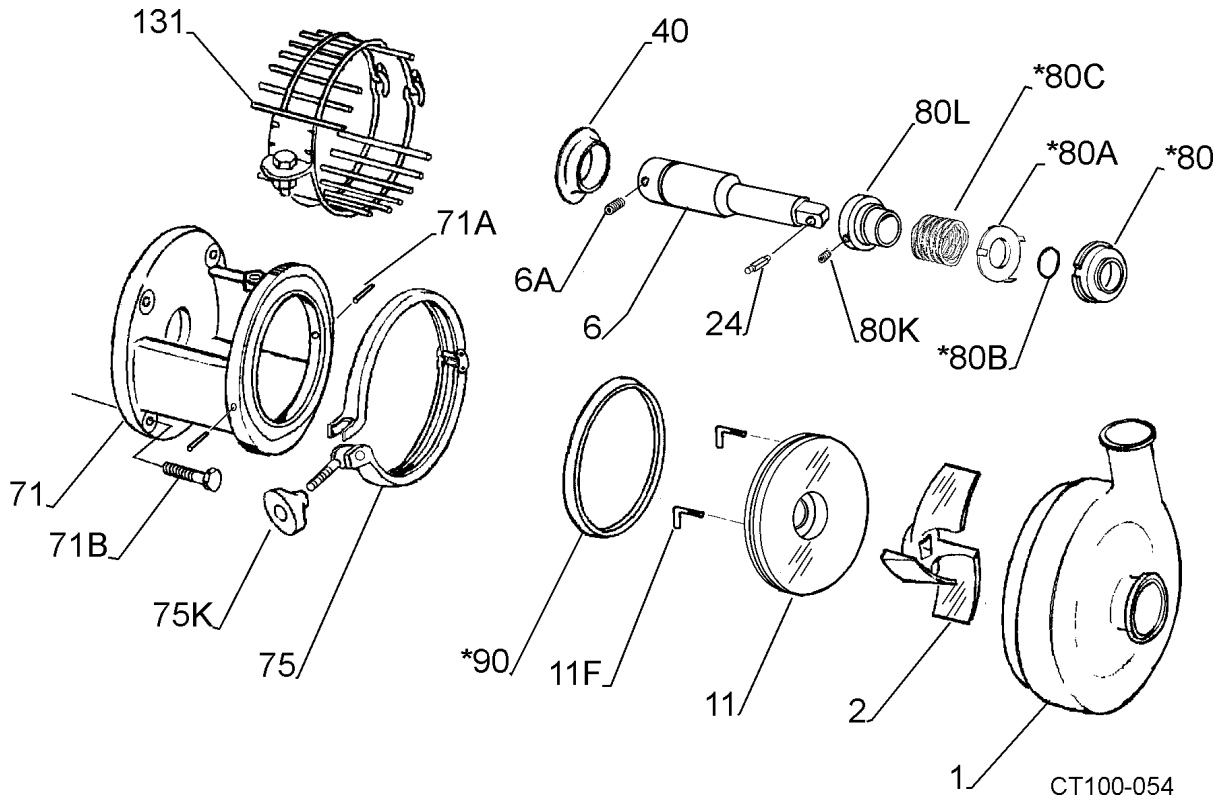
Price of each F.O.B. Delavan, WI, subject to change without notice.

\* Recommended Spare Parts - also available in kits - see page 15.

1. For casings with Bevel threaded, Female I-Line, NPT, or Flanged connections, please contact factory.
2. Contact factory for trimmed impeller part numbers. Specify diameter required on order.
4. Contact factory if casing drain, passivation, or optional finish is required.
5. Used with standard "D" seal only.



C-216 PUMP PARTS DIAGRAM



Shown with standard type "D" seal.

For other optional seals see "Type 'E' Water Cooled Double Balanced Seal Option" on pages 13 & 14 and "Type 'DG' Seal Assembly Options" on pages 11 & 12.