

C-218 PUMP PARTS LIST

| ITEM NO. | DESCRIPTION | QTY. PER PUMP | PART NO. | NOTES |
|----------|--|---------------|----------|-------|
| 1 | Casing, 2" x 1-1/2" w/ S-Line Ports | 1 | 60005R2 | 1, 4 |
| | Casing, 3" x 1-1/2" w/ S-Line Ports | 1 | 60006 | 1, 4 |
| 2 | Impeller, Full 8" Diameter | 1 | 60029 | 2, 4 |
| 6 | Stub Shaft, 143TC - 145TC Frame | 1 | 60060 | |
| | Stub Shaft, 182TC - 184TC Frame | 1 | 60061 | |
| | Stub Shaft, 213TC - 215TC Frame | 1 | 60062 | |
| | Stub Shaft, 254TC - 256TC Frame | 1 | 60063 | |
| | Stub Shaft, 284TSC - 286TSC | 1 | 60064 | |
| | Stub Shaft, 284TC - 286TC Frame | 1 | 60533 | |
| 6A | Shaft Set Screw, 143TC - 184TC Frame | 2 | 30-38 | |
| | Shaft Set Screw, 213TC - 286TC Frame | 4 | 30-38 | |
| 11 | Backplate | 1 | 60012 | 4, 5 |
| 11F | Backplate Pin | 2 | 60013 | |
| * 24 | Impeller Retainer | 1 | 60041 | |
| 40 | Deflector, 143TC - 184TC Frame | 1 | 60047 | |
| | Deflector, 213TC - 256TC Frame | 1 | 60046 | |
| | Deflector, 284TSC - 286TC Frame | 1 | 60048 | |
| 71 | 304 SS Adapter, 143TC - 145TC Frame | 1 | 60754 | |
| | 304 SS Adapter, 182TC - 184TC Frame | 1 | 60755 | |
| | 304 SS Adapter, 213TC - 215TC Frame | 1 | 60756 | |
| | 304 SS Adapter, 254TC - 256TC Frame | 1 | 60757 | |
| | 304 SS Adapter, 284TSC - 286TC Frame | 1 | 60758 | |
| 71A | Adapter Pin | 2 | 30-434 | |
| 71B | Adapter Mounting Bolt, 143TC - 145TC Frame | 4 | 30-60 | |
| | Adapter Mounting Bolt, 182TC - 286TC Frame | 4 | 30-78 | |
| 75 | Clamp Assembly | 1 | 60082 | |
| 75K | Wing Nut | 1 | 60083 | |
| * 80 | Carbon Seal | 1 | 60087 | |
| 80A | Cup | 1 | 60090 | |
| * 80B | Seal O-Ring, Buna N | 1 | N70222 | |
| * 80B | Seal O-Ring, FKM | 1 | V70222 | |
| 80C | Spring | 1 | 60093 | |
| 80K | Set Screw | 2 | 30-178 | |
| 80L | Drive Collar | 1 | 60096R1 | |
| * 90 | Casing Gasket, Buna N | 1 | 60103 | |
| * 90 | Casing Gasket, FKM | 1 | 60104 | |
| 131 | Guard Assembly, 143TC - 145TC Frame | 1 | 60788 | |
| | Guard Assembly, 182TC - 184TC Frame | 1 | 60789 | |
| | Guard Assembly, 213TC - 215TC Frame | 1 | 60790 | |
| | Guard Assembly, 254TC - 256TC Frame | 1 | 60791 | |
| | Guard Assembly, 284TSC - 286TC Frame | 1 | 60792 | |

PL5050-CH4

NOTES:

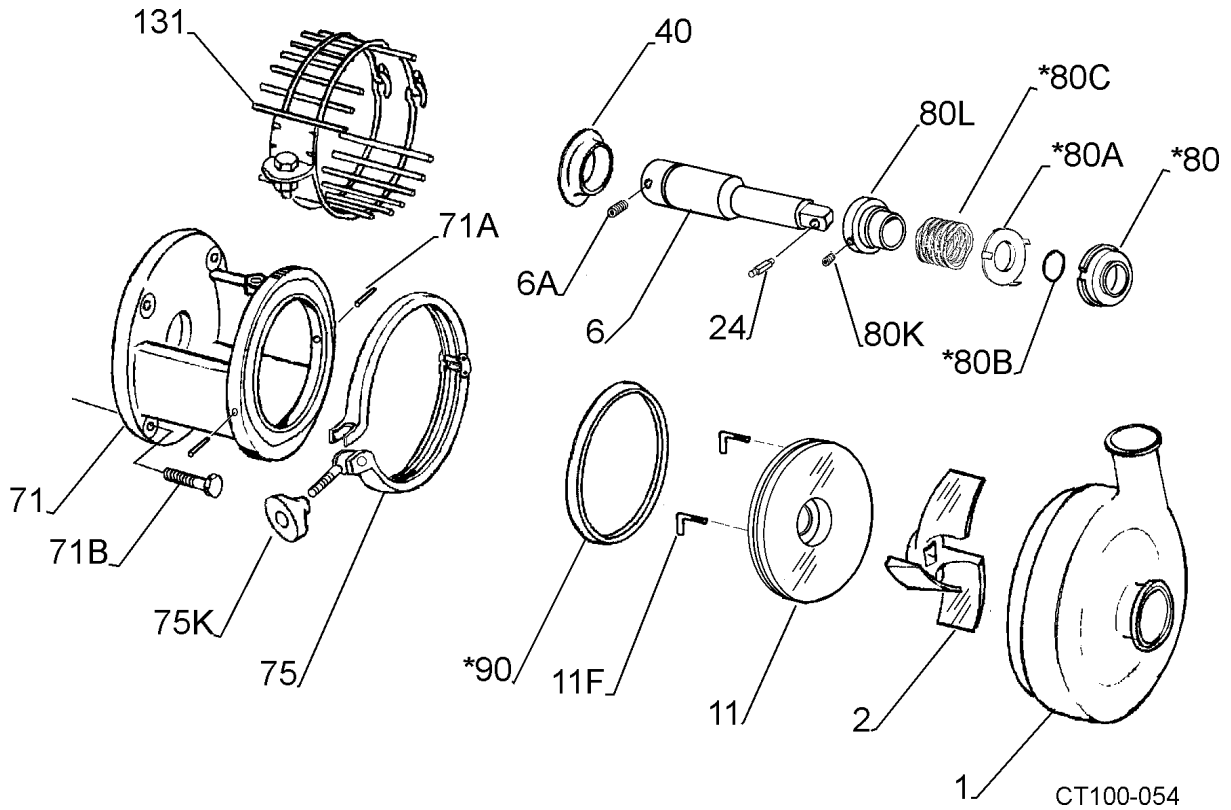
Price of each F.O.B. Delavan, WI, subject to change without notice.

* Recommended Spare Parts - also available in kits - see page 15.

1. For casings with Bevel threaded, Female I-Line, NPT, or Flanged connections, please contact factory.
2. Contact factory for trimmed impeller part numbers. Specify diameter required on order.
4. Contact factory if casing drain, passivation, or optional finish is required.
5. Used with standard "D" seal only.



C-218 PUMP PARTS DIAGRAM



Shown with standard type "D" seal.

For other optional seals see "Type 'E' Water Cooled Double Balanced Seal Option" on pages 13 & 14 and "Type 'DG' Seal Assembly Options" on pages 11 & 12.