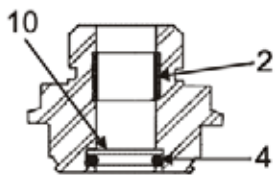
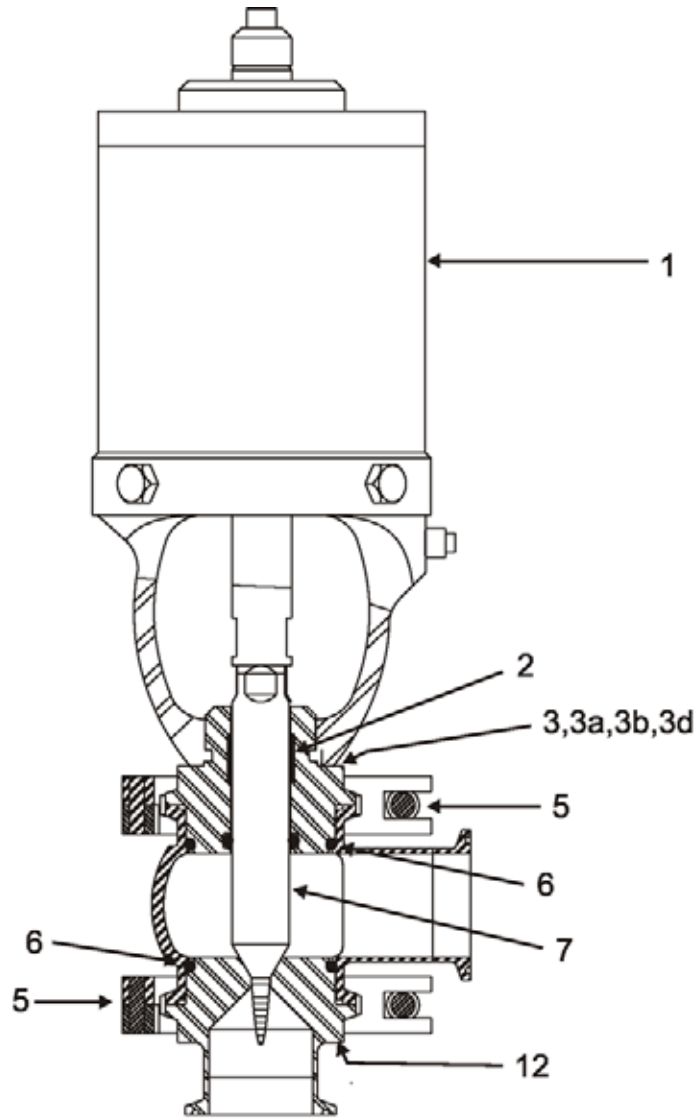
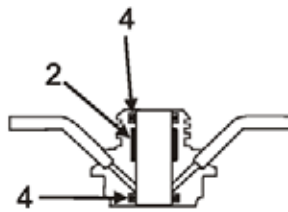


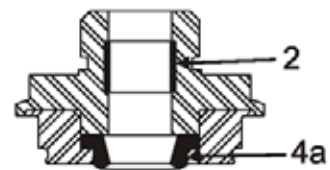
W68 / W88 THROTTLING VALVE
Reduced Orifice for Cv 1.75, 2.5, 5.0, & 7.5



3a) High Pressure adapter



(3b) W80 Flush adapter



(3d) Wiping Stem Seal adapter

VA100-335

W68 / W88 THROTTLING VALVE
Reduced Orifice for Cv 1.75, 2.5, 5.0, & 7.5

Item #	Part Description	1"	1-1/2"
	Control Top	Contact Factory	
1	Actuator	See Pages 42-62	
* 2	Bearing	102757	102757
3	Adapter, W60 (Std)	102406	102406
3a	Adapter, High Pressure	W 60 109293	109293
		W 80 116925	116925
3b	Adapter, W80 ²	106291	106291
3d	Adapter, Wiping Stem Seal ¹	117879	117879
* 4	O-ring	EPDM E70210	E70210
		FKM V70210	V70210
* 4a	Wiping Stem Seal¹	EPDM 116183	116183
		FKM 115626	115626
5	Clamp	Standard 119-30	119-30
		High Pressure ³ 119-271	119-271
* 6	O-ring, Body	EPDM E70223	E70223
		FKM V70223	V70223
7	Stem	Metal, Cv 1.75 114316	114316
		Metal, Cv 2.5 114317	114317
		Metal, Cv 5.0 114318	114318
		Metal, Cv 7.5 114319	114319
10	High Pressure Backup Ring	BUR210	BUR210
12	Seat Insert ⁴	Buttweld, Cv 1.75 114339	114320
		Buttweld, Cv 2.5 114340	114321
		Buttweld, Cv 5.0 114341	114322
		Buttweld, Cv 7.5 114342	114323
		S-Line, Cv 1.75 114343	114324
		S-Line, Cv 2.5 114344	114325
		S-Line, Cv 5.0 114345	114326
		S-Line, Cv 7.5 114346	114327

PL5027-CH10

NOTES:

*** Recommended Spare Parts**

1. Wiping stem seal adapter and wiping stem seal options available for W60 series valves only.
2. W80 adapter allows for liquid or steam flush of stem o-ring.
3. W81A adapter allows for liquid or stem flush of stem o-ring and body o-ring. Only available on one-piece body configurations.
5. Buttweld or S-Line connections refer to process piping connection.

