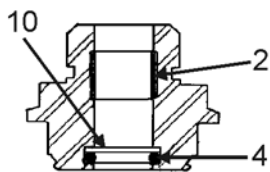
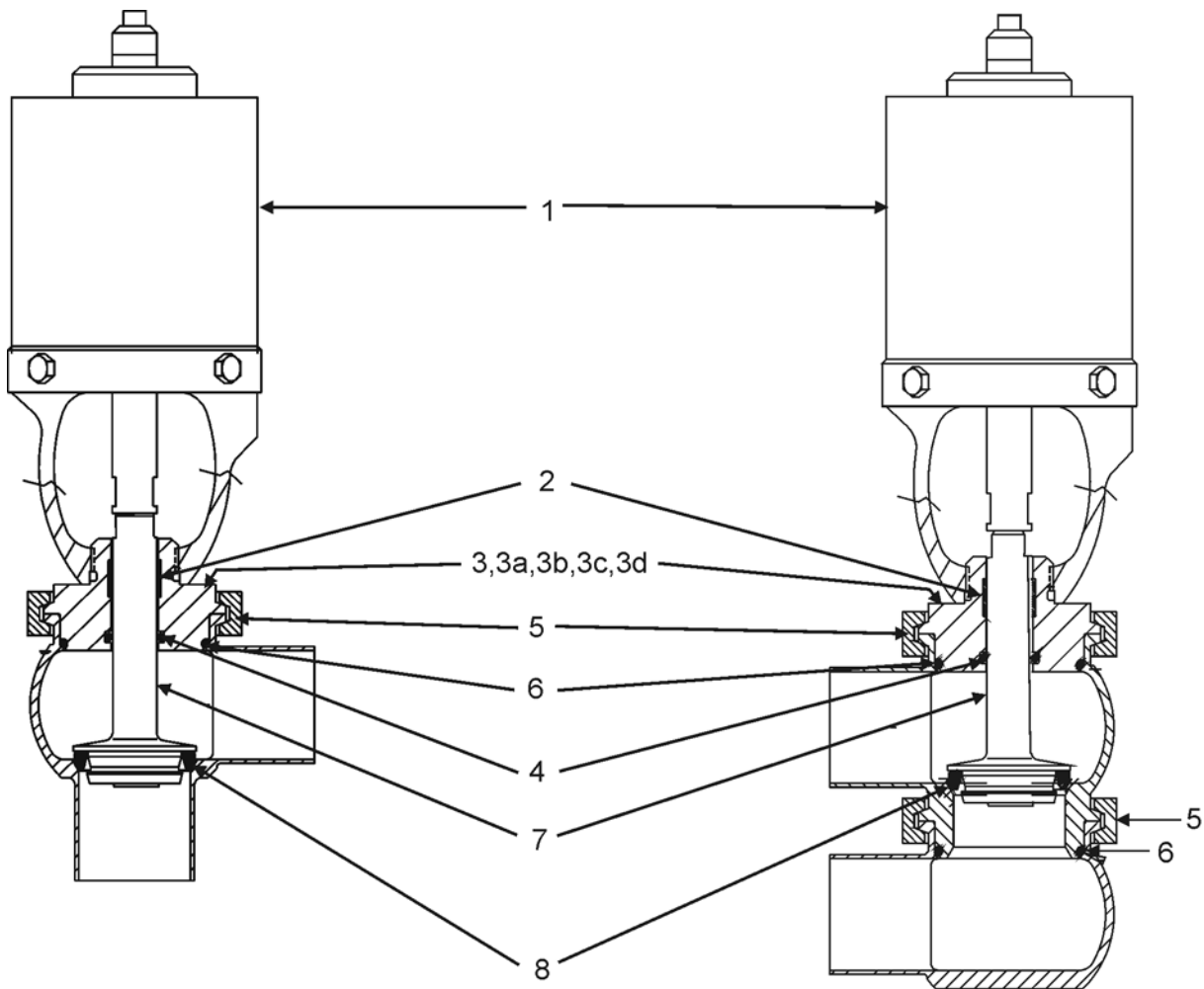
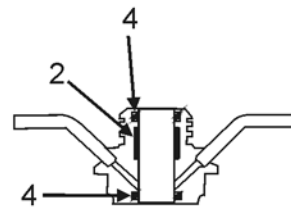


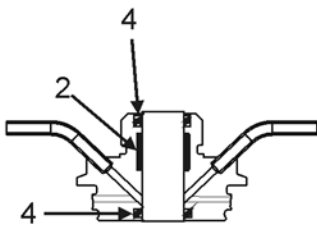
W61 / W81 SHUTOFF VALVE



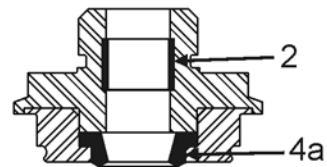
(3a) High Pressure adapter



(3b) W80 Flush adapter



(3c) W81A Flush adapter  
(One piece body valves only)



(3d) Wiping Stem Seal adapter

VA100-241

W61 / W81 SHUTOFF VALVE

Item #	Part Description	1"	1-1/2"	2"	2-1/2"	3"	4"	6"
	Control Top	Contact Factory						
1	Actuator	See Pages 42-62						
* 2	<b>Bearing</b>	102757	102757	102757	102757	102757	102757	106047
3	Adapter, W60 (Std.)	102406	102406	102407	102408	102409	102410	113822
3a	Adapter, High Pressu:	W60 109293	109293	109294	109295	N/A	N/A	N/A
		W80 116925	116925	116926	116927	N/A	N/A	N/A
3b	Adapter, W80 <sup>2</sup>	106291	106291	106292	106293	106294	106295	114306
3c	Adapter, W81A <sup>3</sup>	117785	117785	117786	117787	117788	117789	P.O.A.
3d	Adapter, Wiping Stem Seal <sup>1</sup>	117879	117879	117880	117881	117882	117883	P.O.A.
* 4	<b>O-ring</b>	<b>EPDM</b> E70210	E70210	E70210	E70210	E70210	E70210	E70214
		<b>FKM</b> V70210	V70210	V70210	V70210	V70210	V70210	V70214
* 4a	<b>Wiping Stem Seal<sup>1</sup></b>	<b>EPDM</b> 116183	116183	116183	116183	116183	116183	P.O.A.
		<b>FKM</b> 115626	115626	115626	115626	115626	115626	P.O.A.
5	Clamp	Standard 119-30	119-30	119-33	119-34	119-51	119-87	113827
		High Pressure <sup>4</sup> 119-271	119-271	119-272	119-273	N/A	N/A	N/A
* 6	<b>O-ring, Body<sup>5</sup></b>	<b>EPDM</b> E70223	E70223	E70228	E70232	E70236	E70244	E70258
		<b>FKM</b> V70223	V70223	V70228	V70232	V70236	V70244	V70258
7	Stem (less seat ring)	Tef-Flow <sup>TM</sup> 102411	102412	102413	102414	102415	102416	N/A
		Tri Ring 108130	108131	108132	107045	108134	108135	113823
		Metal 106386	106387	106388	106389	106390	106391	P.O.A
		Bonded, EPDM N/A	112361	111835	111770	111591	112844	N/A
		Bonded, FKM N/A	112362	111836	111771	111592	112845	N/A
* 8	<b>Seat Ring</b>	<b>Tef-Flow<sup>TM</sup></b> 20-240	20-240	20-241	20-242	20-243	20-244	N/A
		<b>Tef-Flow<sup>TM</sup> P</b> 115347	115347	115348	115349	115350	115351	N/A
		<b>Tri Ring, EPDM</b> 107692	107692	107695	107048	102488	107698	102738
		<b>Tri Ring, FKM</b> 107983	107983	107986	107982	107974	107989	108020
10	High Pressure Backup Ring	BUR210	BUR210	BUR210	BUR210	N/A	N/A	N/A

PL5027-CHI

NOTES:

\* Recommended Spare Parts

P.O.A. - Price on application - contact factory for part number.

1. Wiping stem seal adapter and wiping stem seal options available for W60 series valves only.
2. W80 adapter allows for liquid or steam flush of stem o-ring.
3. W81A adapter allows for liquid or stem flush of stem o-ring and body o-ring. Only available on one-piece body configurations.
4. High pressure body clamp only required for valves equipped with high pressure adapter (item 3a).
5. W81A adapter required two body o-rings.

