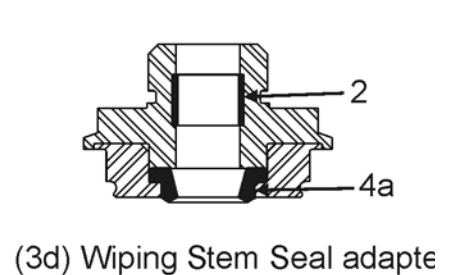
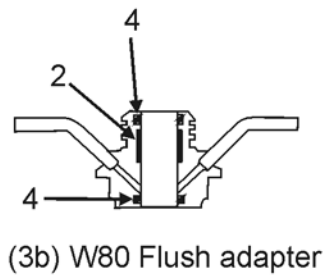
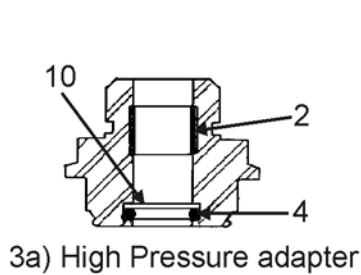
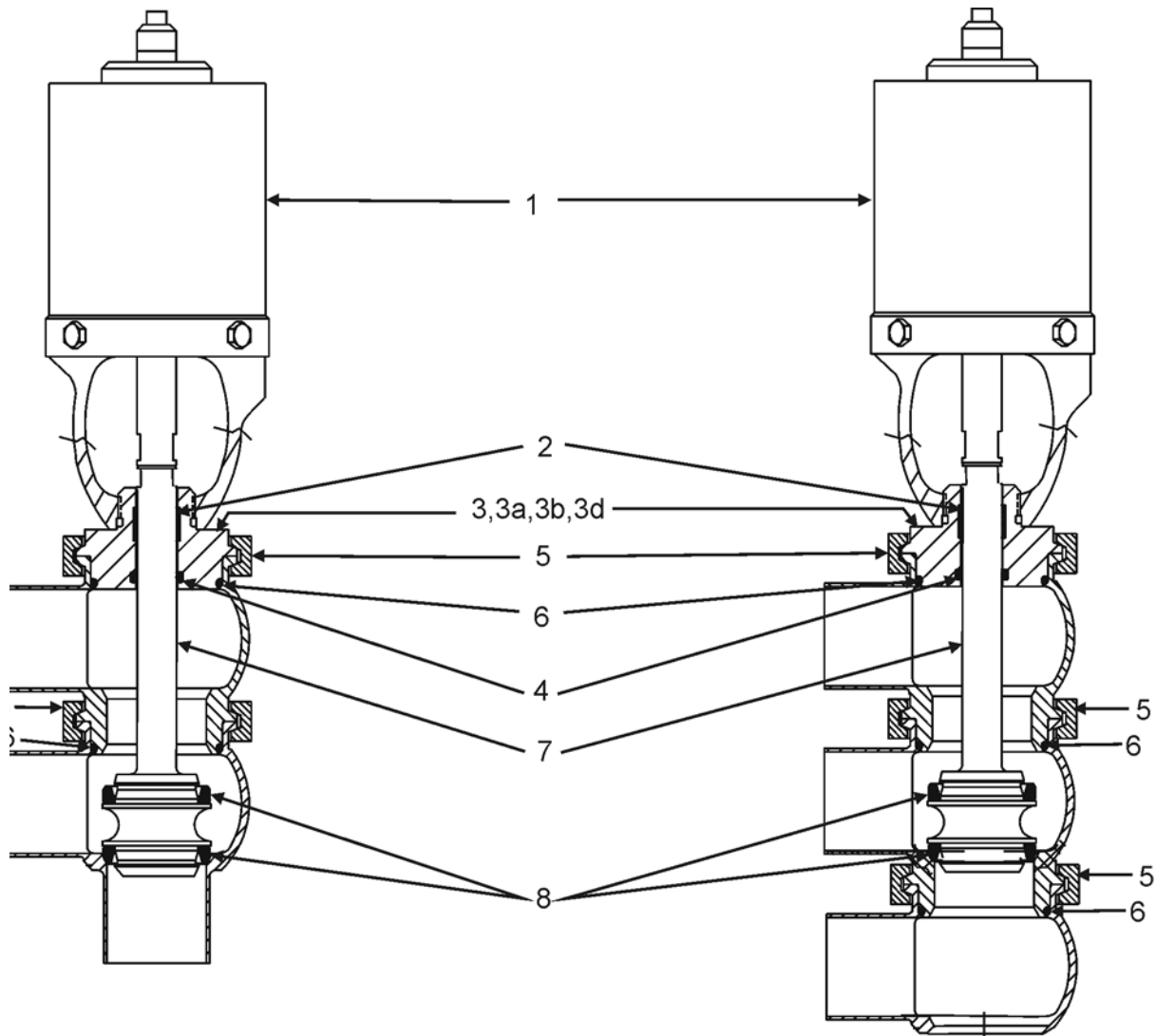


W62 / W82 DIVERT VALVE



VA100-242

W62 / W82 DIVERT VALVE

Item #	Part Description	1"	1-1/2"	2"	2-1/2"	3"	4"
	Control Top	Contact Factory					
1	Actuator	See Pages 42-62					
* 2	<b>Bearing</b>	102757	102757	102757	102757	102757	102757
3	Adapter, W 60 (Std.)	102406	102406	102407	102408	102409	102410
3a	Adapter, High Pressure	W 60 109293	109293	109294	109295	N/A	N/A
		W 80 116925	116925	116926	116927	N/A	N/A
3b	Adapter, W 80 <sup>2</sup>	106291	106291	106292	106293	106294	106295
3d	Adapter, Wiping Stem Seal <sup>1</sup>	117879	117879	117880	117881	117882	117883
* 4	<b>O-ring</b>	<b>EPDM</b> E70210	E70210	E70210	E70210	E70210	E70210
		<b>FKM</b> V70210	V70210	V70210	V70210	V70210	V70210
* 4a	<b>Wiping Stem Seal<sup>1</sup></b>	<b>EPDM</b> 116183	116183	116183	116183	116183	116183
		<b>FKM</b> 115626	115626	115626	115626	115626	115626
5	Clamp	Standard 119-30	119-30	119-33	119-34	119-51	119-87
		High Pressure <sup>3</sup> 119-271	119-271	119-272	119-273	N/A	N/A
* 6	<b>O-ring, Body</b>	<b>EPDM</b> E70223	E70223	E70228	E70232	E70236	E70244
		<b>FKM</b> V70223	V70223	V70228	V70232	V70236	V70244
7	Stem (less seat ring)	Tef-Flow <sup>TM</sup> 102423	102424	102425	102426	102427	102428
		Tef-Flow <sup>TM</sup> , Long Stroke N/A	N/A	N/A	110966	110935	110937
		Tri Ring 108154	108155	108156	108157	108158	108159
		Tri Ring, Long Stroke N/A	N/A	N/A	110983	110984	110985
		Metal 106392	106393	106394	106395	106396	106397
		Metal, Long Stroke N/A	N/A	N/A	110998	110999	111000
		Bonded, EPDM N/A	112368	111838	111773	111594	112847
		Bonded, Long Stroke, EPDM N/A	N/A	N/A	P.O.A.	P.O.A.	P.O.A.
		Bonded, FKM N/A	112369	111839	111774	111595	112848
		Bonded, Long Stroke, FKM N/A	N/A	N/A	P.O.A.	P.O.A.	P.O.A.
* 8	<b>Seat Ring</b>	<b>Tef-Flow<sup>TM</sup></b> 20-240	20-240	20-241	20-242	20-243	20-244
		<b>Tef-Flow<sup>TM</sup> P</b> 115347	115347	115348	115349	115350	115351
		<b>Tri Ring, EPDM</b> 107692	107692	107695	107048	102488	107698
		<b>Tri Ring, FKM</b> 107983	107983	107986	107982	107974	107989
10	High Pressure Backup Ring	BUR210	BUR210	BUR210	BUR210	N/A	N/A

PL5027-CH3

NOTES:

\* Recommended Spare Parts

P.O.A. - Price on application - contact factory for part number.

1. Wiping stem seal adapter and wiping stem seal options available for W60 series valves only.
2. W80 adapter allows for liquid or steam flush of stem o-ring.
3. High pressure body clamp only required for valves equipped with high pressure adapter (item 3a).

