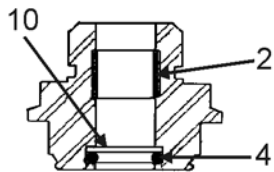
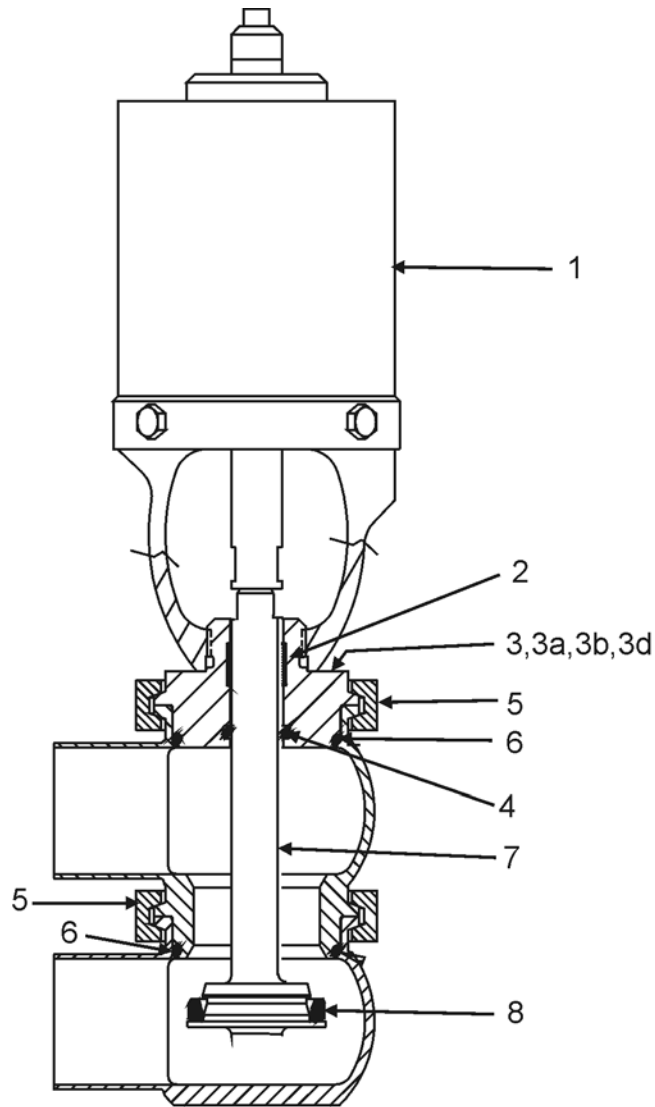
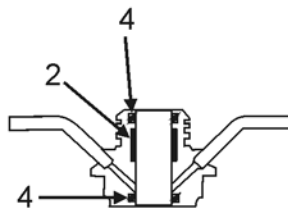


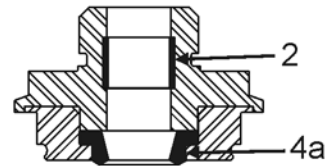
W63 / W83 REVERSE SHUTOFF VALVE



3a) High Pressure adapter



(3b) W80 Flush adapter



(3d) Wiping Stem Seal adapte

VA100-243

W63 / W83 REVERSE SHUTOFF VALVE

Item #	Part Description	1"	1-1/2"	2"	2-1/2"	3"	4"	6"
	Control Top	Contact Factory						
1	Actuator	See Pages 42-62						
* 2	Bearing	102757	102757	102757	102757	102757	102757	106047
3	Adapter, W60 (Std.)	102406	102406	102407	102408	102409	102410	113822
3a	Adapter, High Pressure	W60 109293	109293	109294	109295	N/A	N/A	N/A
		W80 116925	116925	116926	116927	N/A	N/A	N/A
3b	Adapter, W80 ²	106291	106291	106292	106293	106294	106295	114306
3d	Adapter, Wiping Stem Seal ¹	117879	117879	117880	117881	117882	117883	P.O.A.
* 4	O-ring	EPDM E70210	E70210	E70210	E70210	E70210	E70210	E70214
		FKM V70210	V70210	V70210	V70210	V70210	V70210	V70214
* 4a	Wiping Stem Seal¹	EPDM 116183	116183	116183	116183	116183	116183	P.O.A.
		FKM 115626	115626	115626	115626	115626	115626	P.O.A.
5	Clamp	Standard 119-30	119-30	119-33	119-34	119-51	119-87	113827
		High Pressure ³ 119-271	119-271	119-272	119-273	N/A	N/A	N/A
* 6	O-ring, Body	EPDM E70223	E70223	E70228	E70232	E70236	E70244	E70258
		FKM V70223	V70223	V70228	V70232	V70236	V70244	V70258
7	Stem (less seat ring)	Tef-Flow™ 102417	102418	102419	102420	102421	102422	N/A
		Tef-Flow™, Long Stroke N/A	N/A	N/A	110967	110968	110969	N/A
		Tri Ring 108142	108143	108144	108145	108146	108147	114304
		Tri Ring, Long Stroke N/A	N/A	N/A	110986	110987	110988	P.O.A.
		Metal 106398	106399	106400	106401	106402	106403	P.O.A.
		Metal, Long Stroke N/A	N/A	N/A	111001	111002	111003	P.O.A.
		Bonded, EPDM N/A	N/A	111845	111776	111603	112850	N/A
		Bonded, FKM N/A	N/A	111846	111777	111604	112851	N/A
* 8	Seat Ring	Tef-Flow™ 20-240	20-240	20-241	20-242	20-243	20-244	N/A
		Tef-Flow™ P 115347	115347	115348	115349	115350	115351	N/A
		Tri Ring, EPDM 107692	107692	107695	107048	102488	107698	102738
		Tri Ring, FKM 107983	107983	107986	107982	107974	107989	108020
10	High Pressure Backup Ring	BUR210	BUR210	BUR210	BUR210	N/A	N/A	N/A

PL5027-CH4

NOTES:

* Recommended Spare Parts

P.O.A. - Price on application - contact factory for part number.

1. Wiping stem seal adapter and wiping stem seal options available for W60 series valves only.
2. W80 adapter allows for liquid or steam flush of stem o-ring.
3. High pressure body clamp only required for valves equipped with high pressure adapter (item 3a).

