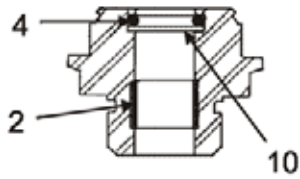
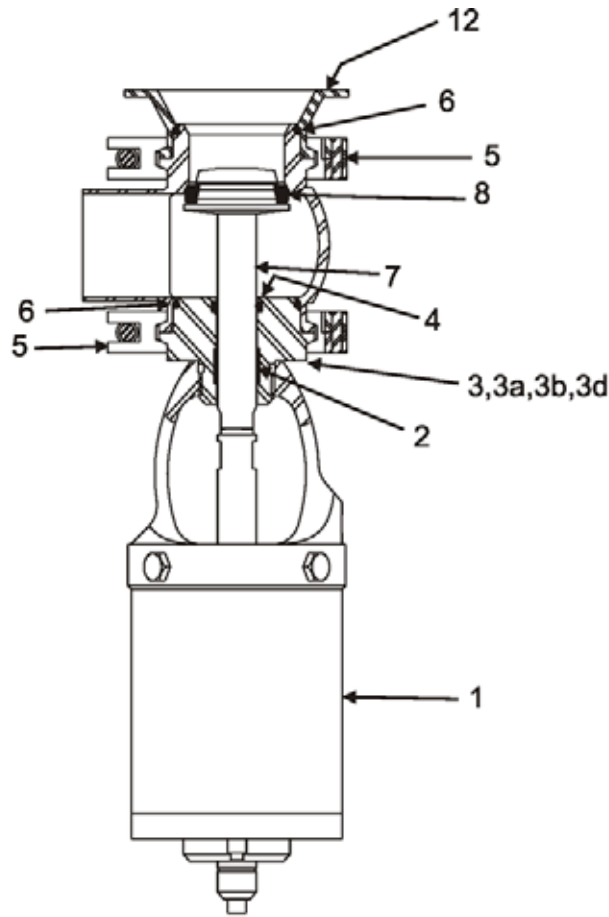
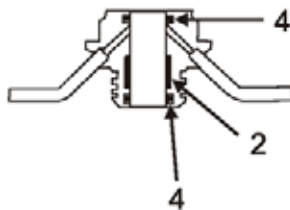


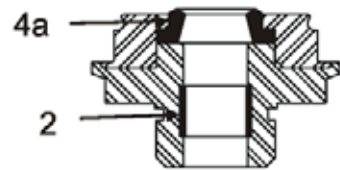
W64R / W84R TANK OUTLET VALVE



(a) High Pressure adapter



(3b) W80 Flush adapter



(3d) Wiping Stem Seal adapte

VA100-244

W64R / W84R TANK OUTLET VALVE

Item #	Part Description	1"	1-1/2"	2"	2-1/2"	3"	4"	
	Control Top	Contact Factory						
1	Actuator	See Pages 42-62						
* 2	Bearing	102757	102757	102757	102757	102757	102757	
3	Adapter, W60 (Std.)	102406	102406	102407	102408	102409	102410	
3a	Adapter, High Pressure	W60	109293	109293	109294	109295	N/A	N/A
		W80	116925	116925	116926	116927	N/A	N/A
3b	Adapter, W80 ²	106291	106291	106292	106293	106294	106295	
3d	Adapter, Wiping Stem Seal ¹	117879	117879	117880	117881	117882	117883	
* 4	O-ring	EPDM	E70210	E70210	E70210	E70210	E70210	
		FKM	V70210	V70210	V70210	V70210	V70210	
* 4a	Wiping Stem Seal¹	EPDM	116183	116183	116183	116183	116183	
		FKM	115626	115626	115626	115626	115626	
5	Clamp	Standard	119-30	119-30	119-33	119-34	119-51	119-87
		High Pressure ³	119-271	119-271	119-272	119-273	N/A	N/A
* 6	O-ring, Body	EPDM	E70223	E70223	E70228	E70232	E70236	E70244
		FKM	V70223	V70223	V70228	V70232	V70236	V70244
7	Stem (less seat ring)	Tef-Flow TM	102411	102412	102413	102414	102415	102416
		Tri Ring	108130	108131	108132	107045	108134	108135
		Metal	106386	106387	106388	106389	106390	106391
		Bonded, EPDM	N/A	112361	111835	111770	111591	112844
		Bonded, FKM	N/A	112362	111836	111771	111592	112845
* 8	Seat Ring	Tef-FlowTM	20-240	20-240	20-241	20-242	20-243	20-244
		Tef-FlowTM P	115347	115347	115348	115349	115350	115351
		Tri Ring, EPDM	107692	107692	107695	107048	102488	107698
		Tri Ring, FKM	107983	107983	107986	107982	107974	107989
10	High Pressure Backup Ring		BUR210	BUR210	BUR210	BUR210	N/A	N/A
12	Tank Flange	1/8" Thick	114824	114824	114825	114826	114827	114828
		1/4" Thick	114829	114829	114830	114831	114832	114833

PL5027-CH6

NOTES:

* Recommended Spare Parts

1. Wiping stem seal adapter and wiping stem seal options available for W60 series valves only.
2. W80 adapter allows for liquid or steam flush of stem o-ring.
3. High pressure body clamp only required for valves equipped with high pressure adapter (item 3a).

