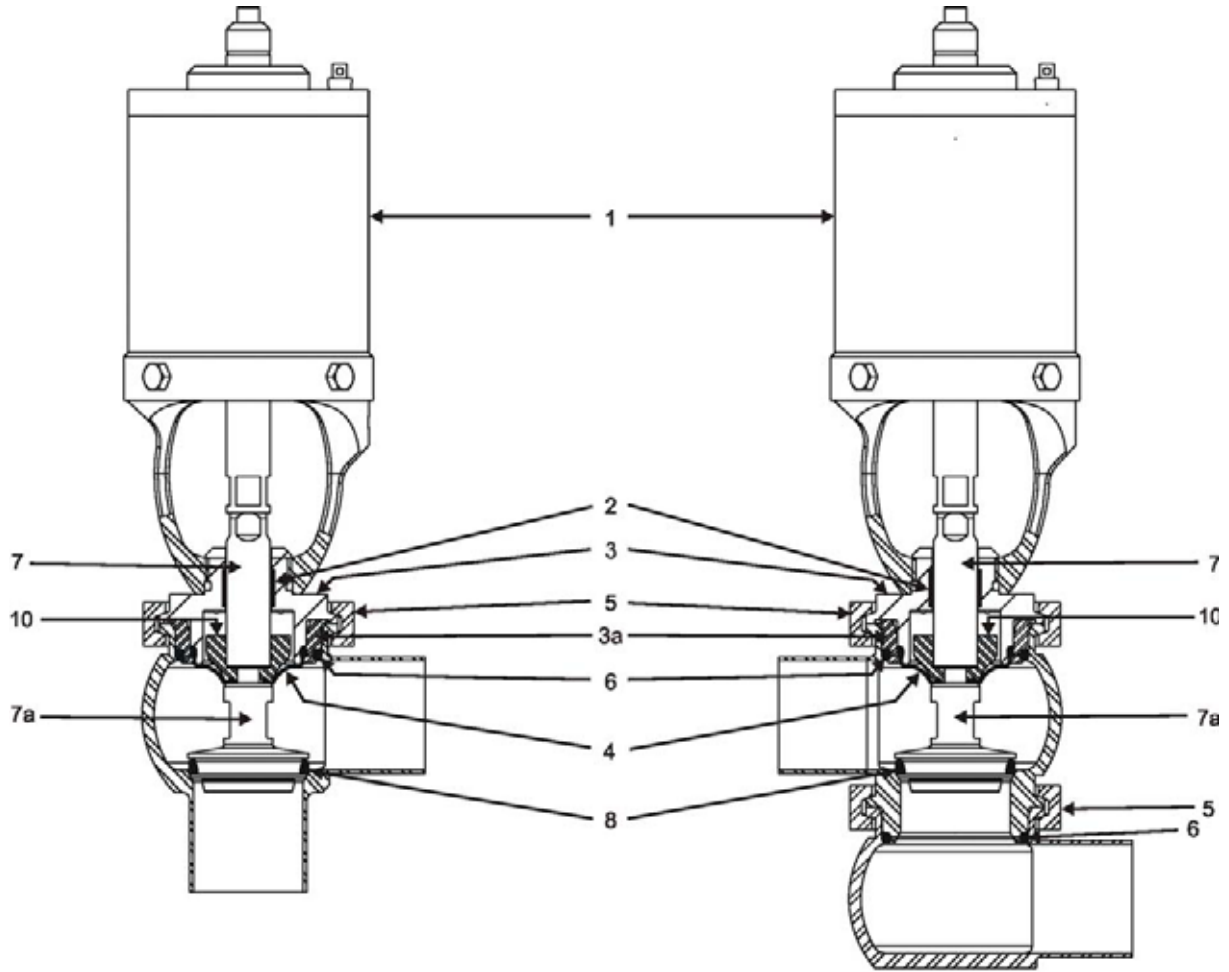


W91 DIAPHRAGM STEM SEAL - SHUTOFF VALVE



VA100-422

W91 DIAPHRAGM STEM SEAL - SHUTOFF VALVE

Item #	Part Description	1-1/2"	2"	2-1/2"	3"	4"
	Control Top	Contact Factory				
1	Actuator	See Pages 42-45, 50-62				
* 2	Bearing	102757	102757	102757	102757	102757
3	Adapter, W90	112617	112612	112610	112606	112603
3a	Spacer	N/A	112611	112609	112605	112602
* 4	Diaphragm					
	EPDM	112616	112616	112616	112616	112616
	FKM	112625	112625	112625	112625	112625
5	Clamp	119-30	119-33	119-34	119-51	119-87
* 6	O-ring, Body¹					
	EPDM	E70223	E70228	E70232	E70236	E70244
	FKM	V70223	V70228	V70232	V70236	V70244
7	Stem, Upper	112618	112618	112618	112618	112618
7a	Stem, Lower Tef-Flow™	112614	112613	112608	112607	112604
* 8	Seat Ring Tef-Flow™ P	115347	115348	115349	115350	115351
10	Support	117587	117587	117587	117587	117587

PL5027-CH13

NOTES:*** Recommended Spare Parts**

- 1-1/2" size valves do not require an upper body o-ring (item 6), only used for lower body on two-piece configurations.

