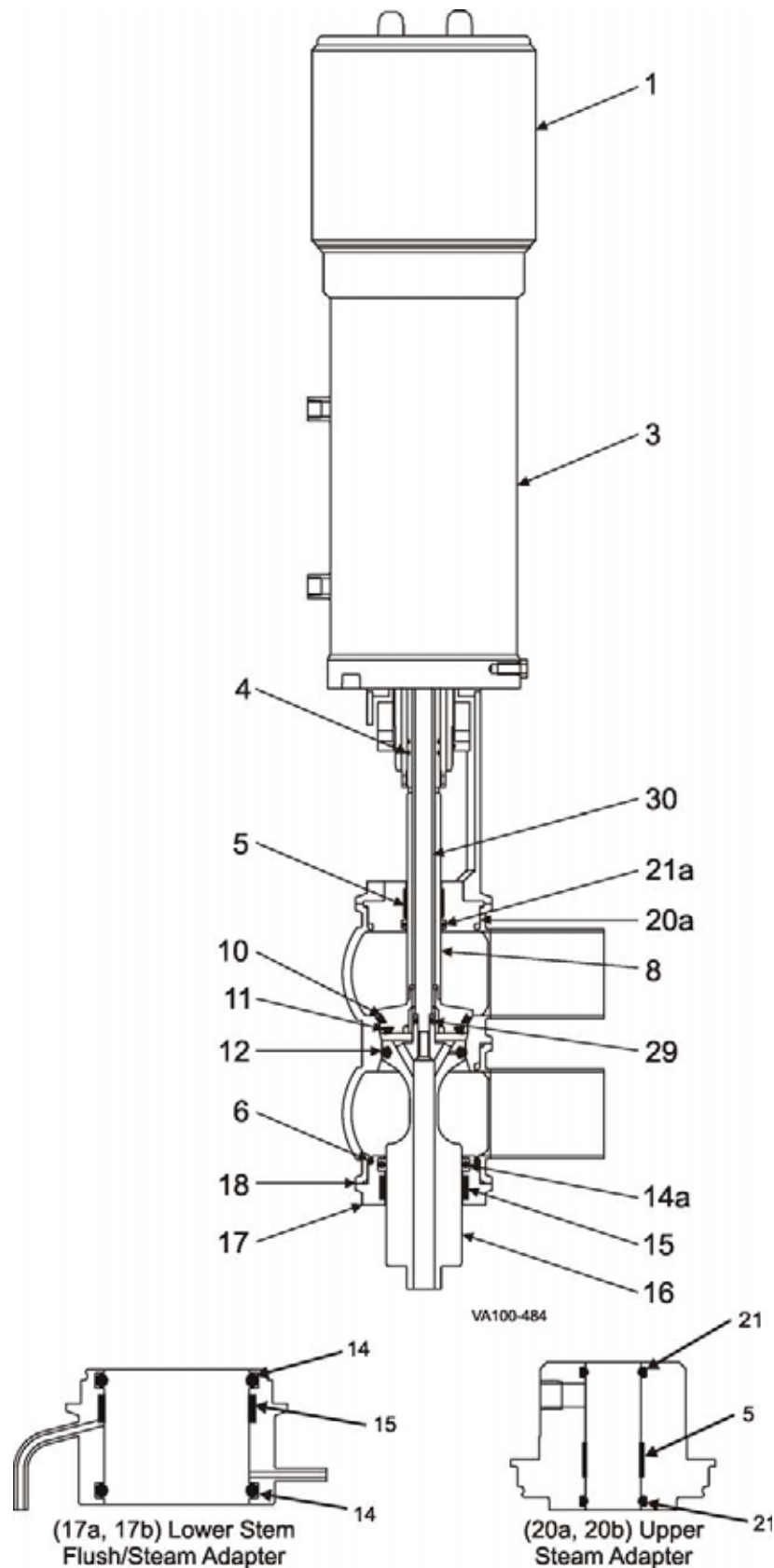


W72RS MIX PROOF SEAT LIFT VALVE



W72RS MIX PROOF SEAT LIFT VALVE

Item #	Part Description		1-1/2"	2"	2-1/2"	3"	4"
1	Control Top		Contact Factory				
3	Actuator		See Pages 95-98				
* 4	O-ring	Nitrile	N90016	N90016	N90020	N90020	N90020
* 5	Bearing		102757	102757	106047	106047	106047
* 6	O-ring, Body	EPDM	E70223	E70228	E70232	E70236	E70244
		FKM	V70223	V70228	V70232	V70236	V70244
8	Stem, Upper		113390	113091	113263	113102	113265
* 10	Seat Ring - Tri Ring, Upper	EPDM	106031	102736	107048	102488	102491
		FKM	107990	107980	107982	107974	107977
* 11	Seat Ring - Tri Ring, Vent	EPDM	106041	107693	107696	107697	102490
		FKM	107992	107984	107987	107988	107976
* 12	Seat Ring - O-ring, Lower	EPDM	E80319	E80325	E80329	E80332	E80340
		FKM	V80319	V80325	V80329	V80332	V80340
14a	O-ring, Lower	EPDM	E70322	E70327	E70331	E70335	E70342
		FKM	V70322	V70327	V70331	V70335	V70342
	Quad Ring, Lower	EPDM	N/A	N/A	117992	117561	116952
		FKM	N/A	N/A	117993	117562	116953
14b	Wiping Stem Seal, Lower	EPDM	116186	116188	116190	116195	116199
		FKM	116187	116189	116191	116196	116200
15	Bearing		101947	102000	106049	106048	102003
16	Stem, Lower Assembly ¹		119436	119437	119438	119439	119440
17a	Seal Retainer		106066	106067	106068	106069	106070
17b	Seal Retainer, Wiping Stem Seal		117444	117445	117446	117447	117448
18	Clamp		119-30	119-33	119-34	119-51	119-87
20a	Adapter		111043	111017	111196	111026	111029
20b	Adapter, Wiping Stem Seal		119441	119442	119443	119444	119445
* 21a	O-ring, Upper	EPDM	E70210	E70210	E70214	E70214	E70214
		FKM	V70210	V70210	V70214	V70214	V70214
21b	Wiping Stem Seal, Upper	EPDM	116183	116183	116184	116184	116184
		FKM	115626	115626	116185	116185	116185
* 29	O-ring	EPDM	E70109	E70109	E70113	E70113	E70113
		FKM	V70109	V70109	V70113	V70113	V70113

PL5027-CH53

NOTES:

* Recommended Spare Parts

1. Part number includes lower stem and inner stem which are assembled together.

