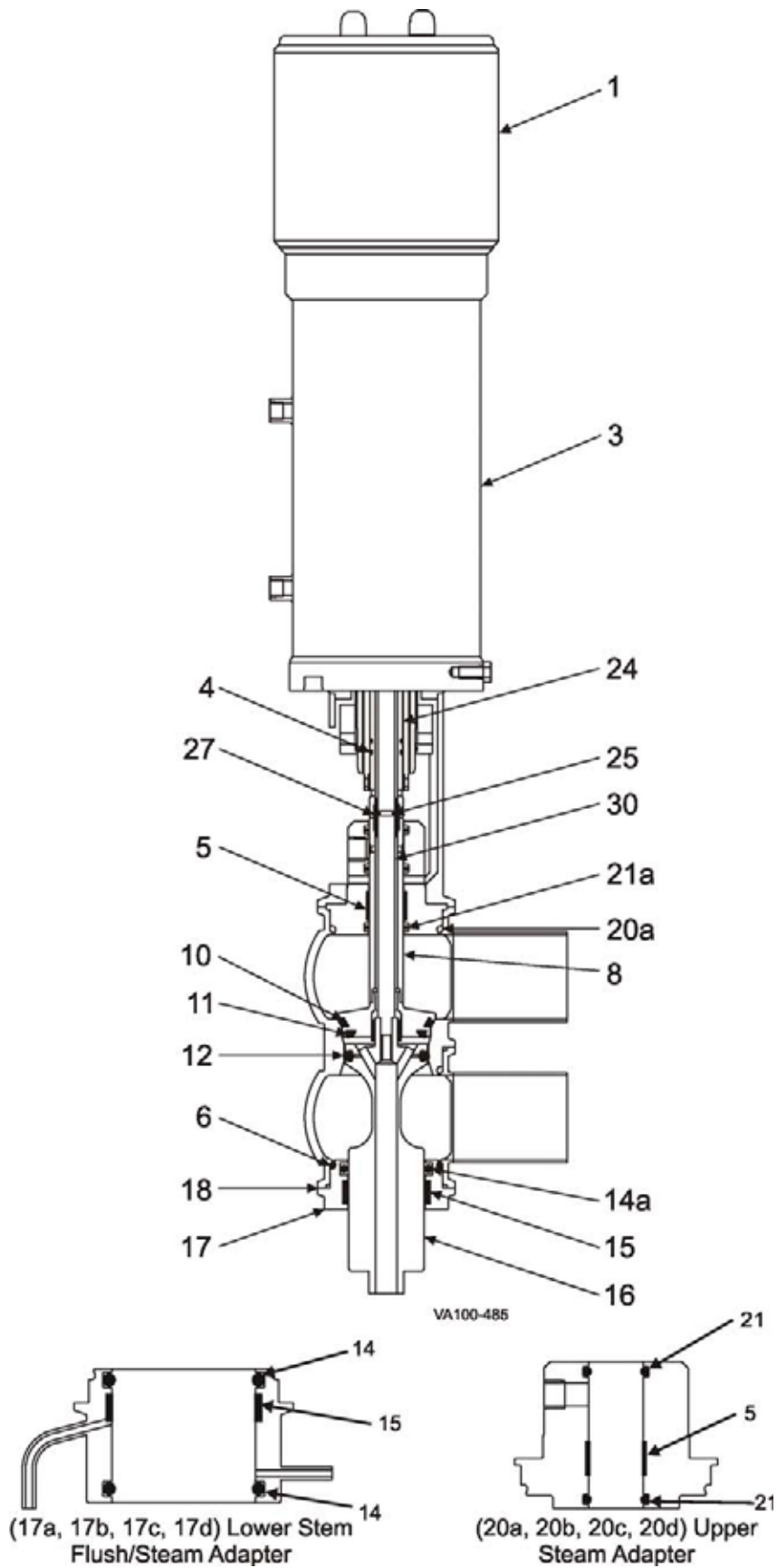


W72RS MIX PROOF SEAT LIFT WITH EXTERNAL FLUSH VALVE



W72RS MIX PROOF SEAT LIFT WITH EXTERNAL FLUSH VALVE

| Item # | Part Description | | 1-1/2" | 2" | 2-1/2" | 3" | 4" |
|---------|--|----------------|-----------------|--------|--------|--------|--------|
| 1 | Control Top | | Contact Factory | | | | |
| 3 | Actuator | | See Pages 95-98 | | | | |
| * 4 | O-ring | Nitrile | N90016 | N90016 | N90020 | N90020 | N90020 |
| * 5 | Bearing | | 102757 | 102757 | 106047 | 106047 | 106047 |
| * 6 | O-ring, Body | EPDM | E70223 | E70228 | E70232 | E70236 | E70244 |
| | | FKM | V70223 | V70228 | V70232 | V70236 | V70244 |
| 8a/b | Stem, Upper Assembly (Liquid Flush) ¹ | | 119447 | 119448 | 119449 | 119450 | 119451 |
| 8c/d | Stem, Upper Assembly (Steam Flush) ¹ | | 119452 | 119453 | 119454 | 119455 | 119456 |
| * 10 | Seat Ring - Tri Ring, Upper | EPDM | 106031 | 107694 | 107048 | 102488 | 102491 |
| | | FKM | 107990 | 107985 | 107982 | 107974 | 107977 |
| * 11 | Seat Ring - Tri Ring, Vent | EPDM | 106041 | 106031 | 107696 | 107697 | 102490 |
| | | FKM | 107992 | 107990 | 107987 | 107988 | 107976 |
| * 12 | Seat Ring - O-ring, Lower | EPDM | E80319 | E80325 | E80329 | E80332 | E80340 |
| | | FKM | V80319 | V80325 | V80329 | V80332 | V80340 |
| 14a/c | O-ring, Lower | EPDM | E70322 | E70327 | E70331 | E70335 | E70342 |
| | | FKM | V70322 | V70327 | V70331 | V70335 | V70342 |
| | Quad Ring, Lower | EPDM | N/A | N/A | 117992 | 117561 | 116952 |
| | | FKM | N/A | N/A | 117993 | 117562 | 116953 |
| 14b/d | Wiping Stem Seal, Lower | EPDM | 116186 | 116188 | 116190 | 116195 | 116199 |
| | | FKM | 116187 | 116189 | 116191 | 116196 | 116200 |
| * 15 | Bearing | | 101947 | 102000 | 106049 | 106048 | 102003 |
| 16a/b | Stem, Lower Assembly (Liquid Flush) ² | | 119457 | 119458 | 119459 | 119460 | 119461 |
| 16c/d | Stem, Lower Assembly (Steam Flush) ² | | 119462 | 119463 | 119464 | 119465 | 119466 |
| 17a | Seal Retainer (Liquid Flush) | | 106066 | 106067 | 106068 | 106069 | 106070 |
| 17b | Seal Retainer, Wiping Stem Seal (Liquid Flush) | | 117444 | 117445 | 117446 | 117447 | 117448 |
| 17c | Seal Retainer (Steam Flush) | | 114918 | 117728 | 114920 | 117736 | 118364 |
| 17d | Seal Retainer, Wiping Stem Seal (Steam Flush) | | 119050 | 119036 | 118226 | 117559 | 118253 |
| 18 | Clamp | | 119-30 | 119-33 | 119-34 | 119-51 | 119-87 |
| 19 | Spray Bushing | | 106030 | 106030 | 118210 | 118210 | 118210 |
| 20a | Adapter (Liquid Flush) | | 106020 | 106021 | 106022 | 106023 | 106024 |
| 20b | Adapter, Wiping Stem Seal (Liquid Flush) | | 119467 | 119468 | 119469 | 119470 | 119471 |
| 20c | Adapter (Steam Flush) | | 114923 | 114924 | 114925 | 117742 | 114927 |
| 20d | Adapter, Wiping Stem Seal (Steam Flush) | | 119472 | 119473 | 119474 | 119475 | 119476 |
| * 21a/c | O-ring, Upper | EPDM | E70210 | E70210 | E70214 | E70214 | E70214 |
| | | FKM | V70210 | V70210 | V70214 | V70214 | V70214 |
| * 21b/d | Wiping Stem Seal, Upper | EPDM | 116183 | 116183 | 116184 | 116184 | 116184 |
| | | FKM | 115626 | 115626 | 116185 | 116185 | 116185 |
| * 25 | O-ring | EPDM | E70010 | E70010 | E70111 | E70111 | E70111 |
| | | FKM | V70010 | V70010 | V70111 | V70111 | V70111 |

PL5027-CH54

NOTES:*** Recommended Spare Parts**

1. Part number includes upper stem, outer stem and coupling sleeve which are assembled together.
2. Part number includes lower stem and inner stem which are assembled together.

