



ITT

Industrial Process

Installation and Operation Manual

Advantage[®] Actuator 2.0



Engineered for life

Provided by:

Holland[®]
APPLIED TECHNOLOGIES
www.hollandapt.com
Phone: 800-800-8464

Provided by:

Holland[®]
APPLIED TECHNOLOGIES
www.hollandapt.com
Phone: 800-800-8464

Table of Contents

| | |
|---|----|
| Introduction and Safety | 2 |
| Safety message levels..... | 2 |
| User health and safety..... | 2 |
| Transportation and storage | 4 |
| Handling and unpacking guidelines..... | 4 |
| Storage, disposal, and return requirements..... | 4 |
| Product Description | 5 |
| Actuator identification..... | 5 |
| Bonnet description..... | 6 |
| Valve diaphragm identification..... | 7 |
| Installation | 8 |
| Precautions..... | 8 |
| Install the valve and topworks..... | 8 |
| Disassemble the valve..... | 9 |
| Replace the valve diaphragm..... | 10 |
| Mount the topworks to the valve..... | 12 |
| Tighten the bonnet fasteners..... | 12 |
| Fastener torque table for valve body to topworks..... | 13 |
| Actuator operating pressure..... | 13 |
| Set the adjustable opening stop..... | 13 |





Provided by:



Introduction and Safety

Safety message levels

Definitions

| Safety message level | Indication |
|---|--|
|  <p>DANGER:</p> | A hazardous situation which, if not avoided, will result in death or serious injury |
|  <p>WARNING:</p> | A hazardous situation which, if not avoided, could result in death or serious injury |
|  <p>CAUTION:</p> | A hazardous situation which, if not avoided, could result in minor or moderate injury |
|  <p>Electrical Hazard:</p> | The possibility of electrical risks if instructions are not followed in a proper manner |
| <p>NOTICE:</p> | <ul style="list-style-type: none"> • A potential situation which, if not avoided, could result in an undesirable result or state • A practice not related to personal injury |

User health and safety

General precautions

This product is designed and manufactured using good workmanship and materials, and meets all applicable industry standards. This product should be used only as recommended by an IIT engineer.



WARNING:

- Misapplication of the valve can result in injury or property damage. Select valves and valve components of the proper materials and make sure that they are consistent with your specific performance requirements. Incorrect application of this product includes but is not limited to:
 - Exceeding the pressure or temperature rating
 - Failing to maintain this product according to the recommendations
 - Using this product to handle caustic or hazardous substances that it is not designed to handle

Qualifications and training

The personnel responsible for the assembly, operation, inspection, and maintenance of the valve must be appropriately qualified. The operating company must do the following tasks:

- Define the responsibilities and competency of all personnel handling
- Provide instruction and training.
- Ensure that the contents of the operating instructions have been fu

Instruction and training can be carried out by either ITT or the reseller of the valve by order of the operating company.

Non-compliance risks

Failure to comply with all safety precautions can result in the following conditions:

- Death or serious injury due to electrical, mechanical, and chemical influences
- Environmental damage due to the leakage of dangerous materials
- Product damage
- Property damage
- Loss of all claims for damages

Operational safety precautions

Be aware of these safety precautions when operating this product:

- Do not leave hot or cold components of the product unsecured against contact if they are a source of danger.
- Do not remove the contact guard for moving parts when the product is in operation. Never operate the product without the contact guard installed.
- Do not hang items from the product. Any accessories must be firmly or permanently attached.
- Do not use the product as a step or hand hold.
- Do not paint over the identification tag, warnings, notices, or other identification marks associated with the product.

Maintenance safety precautions

Be aware of these safety precautions when performing maintenance on this product:

- You must decontaminate the product if it has been exposed to harmful substances such as caustic chemicals.
- You must immediately fit or reactivate all safety and protective equipment upon completion of work.

Use of unauthorized parts

Reconstruction or modification of the product is only permissible after consultation with ITT. Genuine spare parts and accessories authorized by ITT serve to maintain safety. Use of non-genuine ITT parts can annul liability of the manufacturer for the consequences. ITT parts are not to be used in conjunction with products not supplied by ITT as this improper use can annul all liability for the consequences.

Unacceptable modes of operation

The operational reliability of this product is only guaranteed when it is used as designated. The operating limits given on the identification tag and in the data sheet may not be exceeded under any circumstances. If the identification tag is missing or worn, contact ITT for specific instructions.

Provided by:



Transportation and storage

Handling and unpacking guidelines



CAUTION:

Always observe the applicable standards and regulations regarding the prevention of accidents when handling the product.

Handling guidelines

Follow these guidelines when handling the product to prevent damage:

- Use care when handling the product.
- Leave protective caps and covers on the product until installation.

Unpacking guidelines

Follow these guidelines when unpacking the product:

1. Inspect the package for damaged or missing items upon delivery.
2. Note any damaged or missing items on the receipt and freight bill.
3. If anything is out of order, file a claim with the shipping company.

Storage, disposal, and return requirements

Storage

If you are not immediately installing the product after delivery, store it as follows:

- Store the product in a dry room that maintains a constant temperature.
- Make sure that the products are not stacked on top of one another.

Disposal

Dispose of this product and associated components in compliance with federal, state, and local regulations.

Return

Ensure these requirements are met before you return a product to ITT:

- Contact ITT for specific instructions on how to return the product.
- Clean the valve of all hazardous material.
- Complete a Material Safety Data Sheet or Process Data Sheet for any process fluid that could remain on the valve.
- Obtain a Return Material Authorization from the factory.

Provided by:



www.hollandapt.com
Phone: 800-800-8464

Product Description

Actuator identification

Design Overview

The actuator is a spring or double acting pneumatic actuator.

To determine if you have an Advantage actuator or an Advantage actuator 2.0 locate the spindle compressor connection and determine if you have a pin or t-slot connection.



Figure 1: Pin connection for Advantage actuator



Figure 2: T-slot Connection for Advantage actuator 2.0

Model number

The actuator model number is located on the ITT identification tag. The model number is a four digit number defining the actuator as follows.

Table 1: Actuator

| Code | Description |
|------|------------------------|
| B | Advantage actuator 2.0 |

Table 2: Mode of operation

| Code | Description |
|------|--|
| 1 | Fail open (spring to open, air to close) (direct acting) |
| 2 | Fail close (spring to close, air to open) (reverse acting) |
| 3 | Double acting (air to open, air to close) |

Table 3: Actuator series

| Code ¹ | Actuator series ² |
|-------------------|------------------------------|
| 03, 04 | 3 |
| 05, 06 | 5 |
| 08, 09 | 8 |
| 15, 16, 17 | 16 |

Table 4: Examples

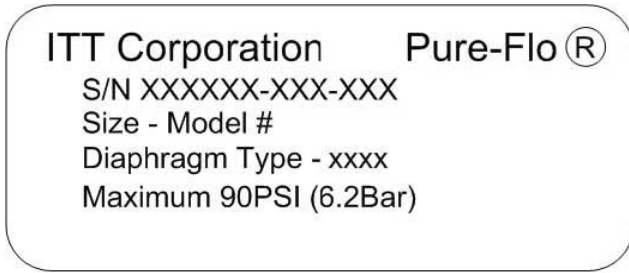
| Model number | Description |
|--------------|--|
| B308 | Advantage actuator 2.0, double acting, series 8 |
| B215 | Advantage actuator 2.0, fail close, series 16 with a 15 spring set |

¹ For fail close actuators, codes are specific spring combinations.

² Series number equates to diaphragm effective area.

Provided by:

Identification tag



| Line | Description |
|------|--|
| 1 | Valve serial number |
| 2 | Valve size and model number |
| 3 | Valve diaphragm type |
| 4 | Maximum recommended actuation pressure |

Bonnet description

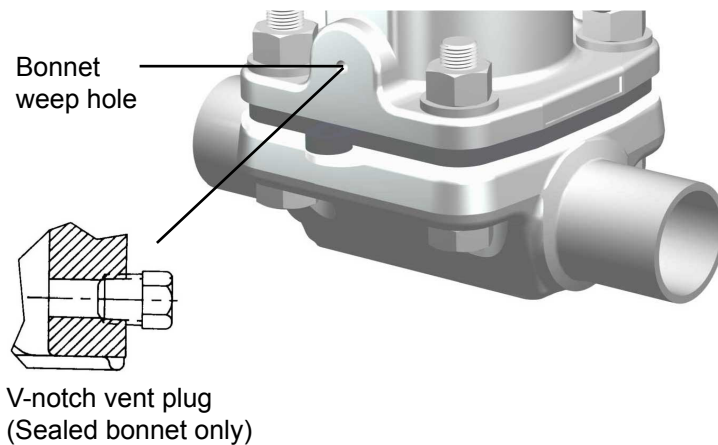
Non-Sealed bonnet

The non-sealed bonnet has a weep hole that permits leakage of the process fluid if the diaphragm ruptures.

Sealed bonnet

The sealed bonnet uses a special “V-notch” vent plug, which permits diaphragm inspection.

Figure 3: Weep hole and V-notch vent plug



Provided by:



Valve diaphragm identification

Diaphragm tab codes

All diaphragm materials and physical properties are batch traceable via permanent codes molded into the diaphragm tabs. The molding date, grade of diaphragm, and valve size provide traceability to original batch records.



Figure 4: Elastomer diaphragm front

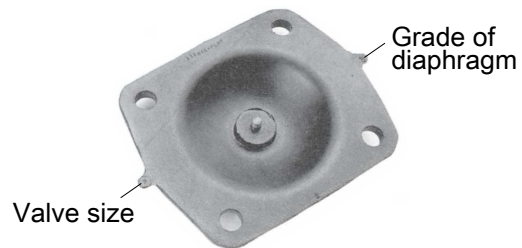


Figure 5: Elastomer diaphragm back

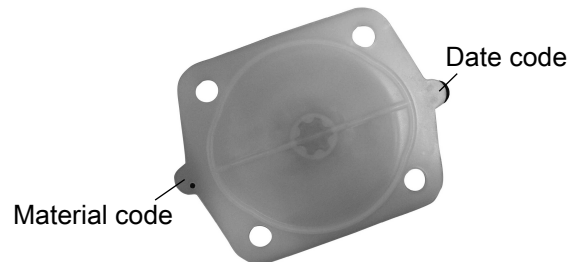


Figure 6: PTFE diaphragm

Provided by:

Holland[®]
APPLIED TECHNOLOGIES
www.hollandapt.com
Phone: 800-800-8464

Installation

Precautions



WARNING:

- All procedures must be performed by qualified personnel.
- When the process fluid is hazardous, thermal (hot or cold), or corrosive, take extra precautions. Employ the appropriate safety devices and be prepared to control a process media leak.
- Always wear protective clothing and equipment to safeguard the eyes, face, hands, skin, and lungs from the particular fluid in the line.



CAUTION:

- Disconnect electrical, pneumatic, and hydraulic power before servicing actuator or automation components.

Install the valve and topworks

NOTICE:

The topworks size and configuration can limit the actual operating pressure. Consult the engineering catalog for topworks sizing. Consult the factory or engineering catalog for vacuum operation.

Consider the following information before installing the actuator:

- The series 3, 5, 8, or 16 stainless steel bonnet Advantage actuator 2.0 can have the air inlets positioned in any quadrant.
 - The maximum valve operating pressure is 150 psig (10.34 bar). This pressure is applicable up to 100° F (38° C). Valves at maximum pressure cannot be used at maximum temperatures.
1. If you have a weld end valve, then consider the following:

| If you are welding ... | Then ... |
|---|--|
| Manually | Remove the topworks. |
| In line for schedule 10 or heavier pipe | Remove the topworks. |
| In line for schedule 5 or lighter pipe and tubing | You can weld with automatic equipment. Before you perform the weld: <ol style="list-style-type: none"> 1. Do not remove the topworks. 2. Set the valve to the open position. 3. Properly purge the valve with an inert gas. |

2. Install the valve.


| If the valve is a ... | Then ... |
|-------------------------|---|
| Dia-Flo diaphragm valve | For horizontal piping systems to be drained through the valve, install the valve spindle between 0° and 30° above horizontal. For vertical piping systems, no specific orientation is required. |

Provided by:



www.hollandapt.com
Phone: 800-800-8464

| If the valve is a ... | Then ... |
|--------------------------|--|
| Pure-Flo diaphragm valve | Install with the raised hash marks (castings) or small machined dots (forgings) on the valve body at the 12 o'clock position to achieve the optimum drain angle. |



3. Prior to pressurization (with the valve slightly open), tighten the bonnet fasteners. For more information, see Tighten the bonnet fasteners in this manual.
4. Connect the air line.
Connection size is 1/8" NPT.

NOTICE:

Air line connections should be made with care so as not to damage the actuator covers.

5. Cycle the valve two to three times to verify smooth operation.

Disassemble the valve

1. Remove all line pressure.
2. Do you have a switch package?
 - If yes: Proceed to step 3.
 - If no: Proceed to step 5.
3. Do you have a fail open or double acting actuator?
 - If yes: Proceed to step 4.
 - If no: Proceed to step 5.
4. Do you have a series 33 actuator or adjustable opening stop?
 - If yes: Remove the switch package.
 - If no: Proceed to step 5.
5. If the actuator mode of operation is fail open or fail close, then load the actuator with air.

| If the actuator mode of operation is ... | Then ... |
|--|--|
| Fail open | Load the air port in the upper cover of the actuator with sufficient air to partially close the valve. |
| Fail close | Load the air port in the bottom cover of the actuator with sufficient air to partially open the valve. |

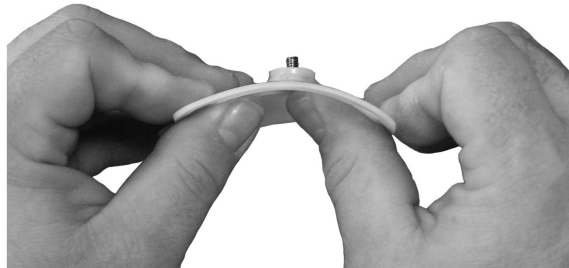
6. Remove the bonnet fasteners.
7. Lift the topworks assembly from the valve body.
8. If the actuator mode of operation is fail open, then remove pressure load from the actuator.
9. Do you have a fail open or double acting actuator?
 - If yes: Proceed to step 10.
 - If no: Procedure is complete.
10. Do you have a series 33 actuator or adjustable opening stop?
 - If yes: When the actuator is not on the valve body, do not allow Provided by: to move below the upper cover spindle o-ring.
 - If no: Procedure is complete.

Replace the valve diaphragm

1. Disassemble the valve.
For more information, see Disassemble the valve in this manual.
2. If the actuator mode of operation is fail open, pressurize the actuator by applying air to the upper cover, slightly extending the compressor and diaphragm.
3. Unscrew the diaphragm from the compressor by turning the diaphragm counterclockwise.
The replacement diaphragm should be identical in size and grade to the original diaphragm.
4. Insert the tube nut by sliding the flat end into the actuator spindle so that it rests flush in the slot.
5. Put the compressor over top of the tube nut.
6. If replacing a PTFE diaphragm, follow these steps.
 - a) Install the new elastomer backing cushion over the tube nut.



- b) Invert the PTFE diaphragm by pressing the center of the diaphragm face with your thumbs while holding the edge of the diaphragm with your fingers.



- c) Engage the threads of the diaphragm into the tube nut by rotating clockwise.



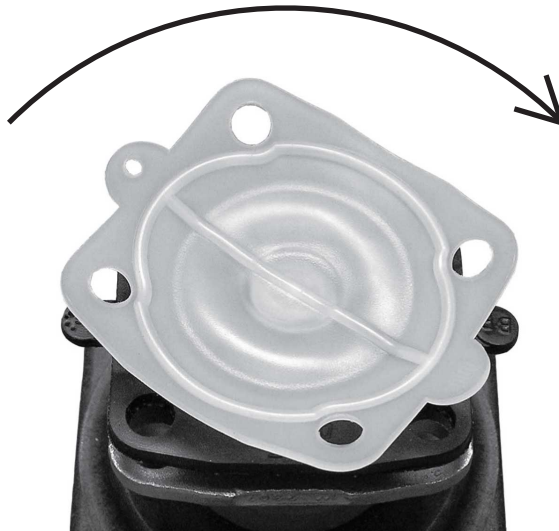
- d) Continue rotating the PTFE diaphragm clockwise into the comp cushion from rotating.

Provided by:

Holland[®]
APPLIED TECHNOLOGIES
www.hollandapt.com
Phone: 800-800-8464



7. Rotate the diaphragm until hard stop or heavy resistance is achieved and additional force does not significantly rotate the diaphragm into the compressor.



8. If replacing a PTFE diaphragm, re-invert the diaphragm.



Provided by:

Holland[®]
APPLIED TECHNOLOGIES
www.hollandapt.com
 Phone: 800-800-8464

- Back off (no more than half turn) until the bolt holes in diaphragm and the bonnet flange align.



- If the actuator mode of operation is fail open or fail close, select one of these steps.

| If the actuator mode of operation is ... | Then ... |
|--|---|
| Fail open | Reduce the air pressure until the back of the diaphragm is flat against the bonnet. |
| Fail close | <ol style="list-style-type: none"> Connect the air line to the lower air cover. Load the chamber with sufficient air to move the diaphragm upward until the back of diaphragm is flat against the bonnet. Do not apply excessive air pressure that results in inversion of the diaphragm. |

- Replace the topworks assembly on the body and tighten the bonnet fasteners.
For more information, see Tighten the bonnet fasteners in this manual.
- If the actuator mode of operation is fail open or double acting, examine the actuator upper cover for leakage past the indicating spindle o-ring seal. If leakage is present, replace the spindle o-rings.
- If the actuator mode of operation is fail open, release the air, allowing the valve to open.
- If there is a travel (closing) stop, reset it to ensure proper closure.
For more information, see Adjust the travel (closing) stop in this manual.

Mount the topworks to the valve

- Install the valve diaphragm.
For more information, see Replace the valve diaphragm in this manual.
- Assemble the valve body and tighten the bonnet fasteners.
For more information, see Tighten the bonnet fasteners in this manual.

Tighten the bonnet fasteners



CAUTION:

Do not tighten fasteners while the system is pressurized or at elevated temperatures (greater than 100°F (38°C)).

- Depressurize the system.
- Use regulated air pressure to position diaphragm so that valve is slightly closed.
You may need to use air pressure to actuate the valve.
- Tighten the bonnet fasteners in a crisscross pattern.

For more information, see Fastener torque table for valve body to topworks in this manual.

4. Make multiple crisscross passes to build up torque to the final table value. Make additional crisscross passes using final table values to evenly tighten each fastener to within 5% of torque value.
5. Retighten the bonnet fasteners as noted above at ambient conditions after the system has cycled through operating pressure and temperature.
6. Monitor the valve for leakage:

| If leakage ... | Then ... |
|---|--|
| Occurs at the body/bonnet flange sealing area | Depressurize the system and retighten the bonnet fasteners as noted above. |
| Continues | Depressurize the system and retighten the bonnet fasteners as noted above. (maximum 3rd re-torque) |
| Continues | Replace the valve diaphragm. |

For more information, see Replace the valve diaphragm in this manual.

Fastener torque table for valve body to topworks

Values given are for lubricated fasteners.

| Valve size | | Bolt size | | PTFE diaphragm | | Elastomer diaphragm | |
|------------|----|-----------|--------|----------------|----------|---------------------|----------|
| Inch | DN | Imperial | Metric | in-lb | N-m | in-lb | N-m |
| 0.50 | 15 | 1/4" | M6 | 25-60 | 2.8-6.8 | 20-40 | 2.3-4.5 |
| 0.75 | 20 | 1/4" | M6 | 50-65 | 5.7-9.1 | 20-50 | 2.3-5.7 |
| 1.00 | 25 | 5/16" | M8 | 65-90 | 7.4-11.3 | 45-70 | 5.1-7.9 |
| 1.50 | 40 | 3/8" | M10 | 200-225 | 23-25 | 75-130 | 8.5-14.7 |
| 2.00 | 50 | 7/16" | M12 | 225-275 | 25-31 | 100-180 | 11-20 |

Guidelines

- Minimum values given will provide a longer diaphragm cycle life for valves in non-autoclave and low thermal cycle conditions.
- Maximum values given may be necessary for autoclave conditions and for high thermal cycle conditions.
- Torques should be applied at near ambient conditions (less than 100°F (38°C)).

Actuator operating pressure

Maximum permitted air supply pressure

| psig | bar | kPA |
|------|-----|-----|
| 90 | 6.2 | 620 |

Actuator pressure rating

The actuator will withstand pressures well in excess of the rated pressure without risk of bursting. Maintaining operating pressure at or below the pressure rating will ensure optimum life of the operating components, such as the actuator diaphragm. However, operation at pressures up to 100 psig (6.9 bar), for limited periods of time, will not noticeably affect the life of these components.

| psig | bar | kPA |
|------|-----|-----|
| 90 | 6.2 | 620 |

Set the adjustable opening stop

These instructions are for series 3, 5, 8, 16 actuators.

1. Remove the switch package, if present.
2. Using air pressure and a bleed type regulator, open the valve to the c

Provided by:



3. Rotate the adjusting bushing counterclockwise until resistance is felt. The opening stop is now set.
4. Adjust the valve closed switch.

Provided by:



Provided by:

Holland[®]
APPLIED TECHNOLOGIES
www.hollandapt.com
Phone: 800-800-8464



ITT

Visit our Web site for the latest version of this document and more information
<http://www.ittpureflo.com>

ITT Pure-Flo
33 Centerville Road
Lancaster, PA 17603
USA
Tel. (717) 509-2200
Fax (717) 509-2316
E-mail: pureflo.custserv@itt.com

ITT Pure-Flo
Richards Street, Kirkham
Lancashire PR4 2HU
England
Tel. +44-1772-682696
Fax +44-1772-686006

Provided by:

Holland[®]
APPLIED TECHNOLOGIES
www.hollandapt.com
Phone: 800-800-8464