

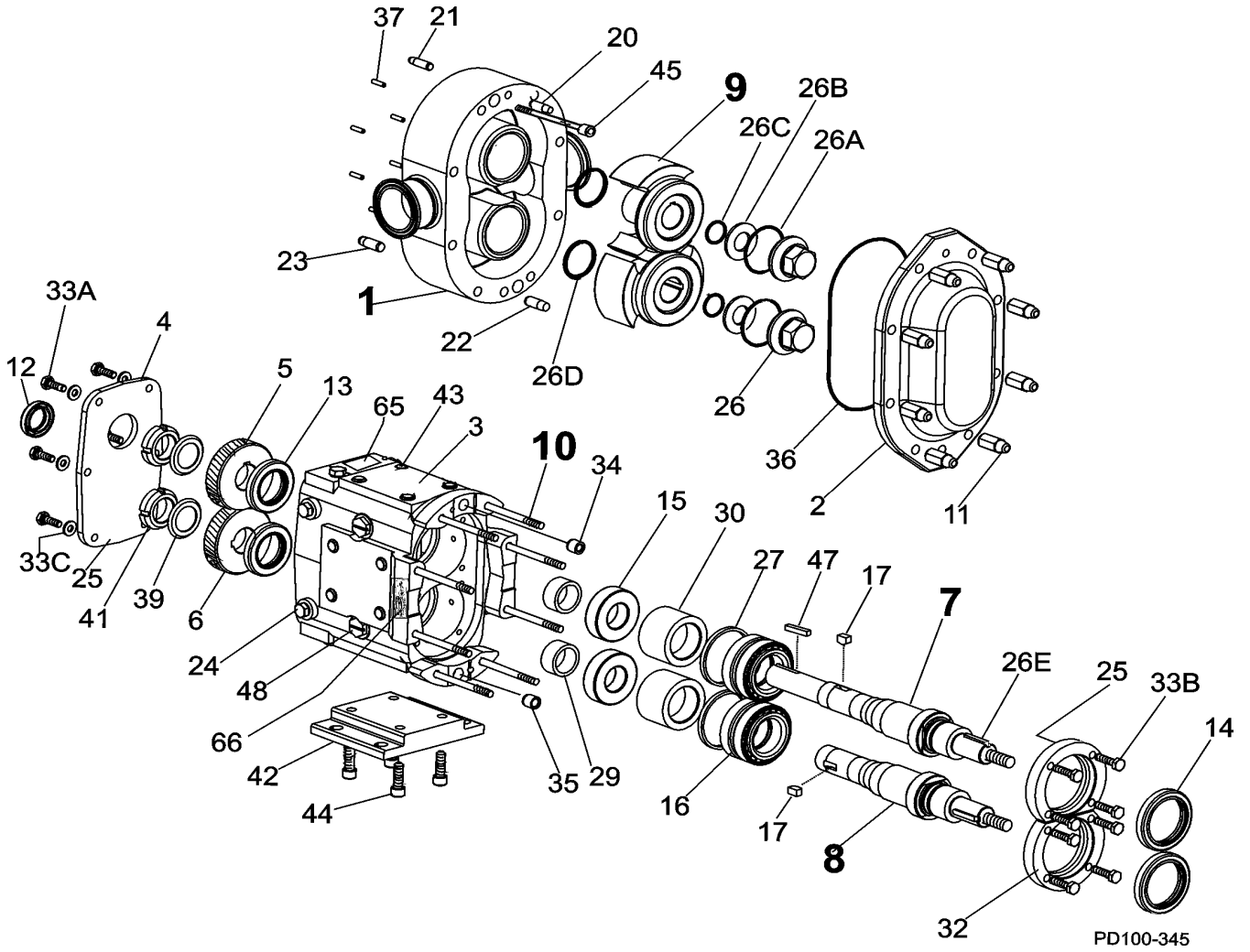
040-U2 PUMP PARTS PRICE LIST

ITEM NO.	DESCRIPTION	QTY. PER PUMP	PART NO.	NOTES
1	040-U2 Pump Body	1	See Note 1	1
	040-U2 Pump Body with Flush	1	See Note 1	1
7	Drive Shaft	1	118722	
8	Short Shaft	1	118723	
9	040-U2 Rotor, Twin Wing, Alloy 88	2	118766	2
	040-U2 Rotor, Twin Wing, 316SS	2	118779	2
10	Stud	8	118897	
	Stud, Jacketed Cover	8	118898	

NOTES:

1. Contact Factory with Serial Number of pump for Part Number.
2. Standard clearances and finishes for Rotor Part Numbers shown. Contact Factory for optional clearances and finishes.

040-U2 Pump Parts Diagram



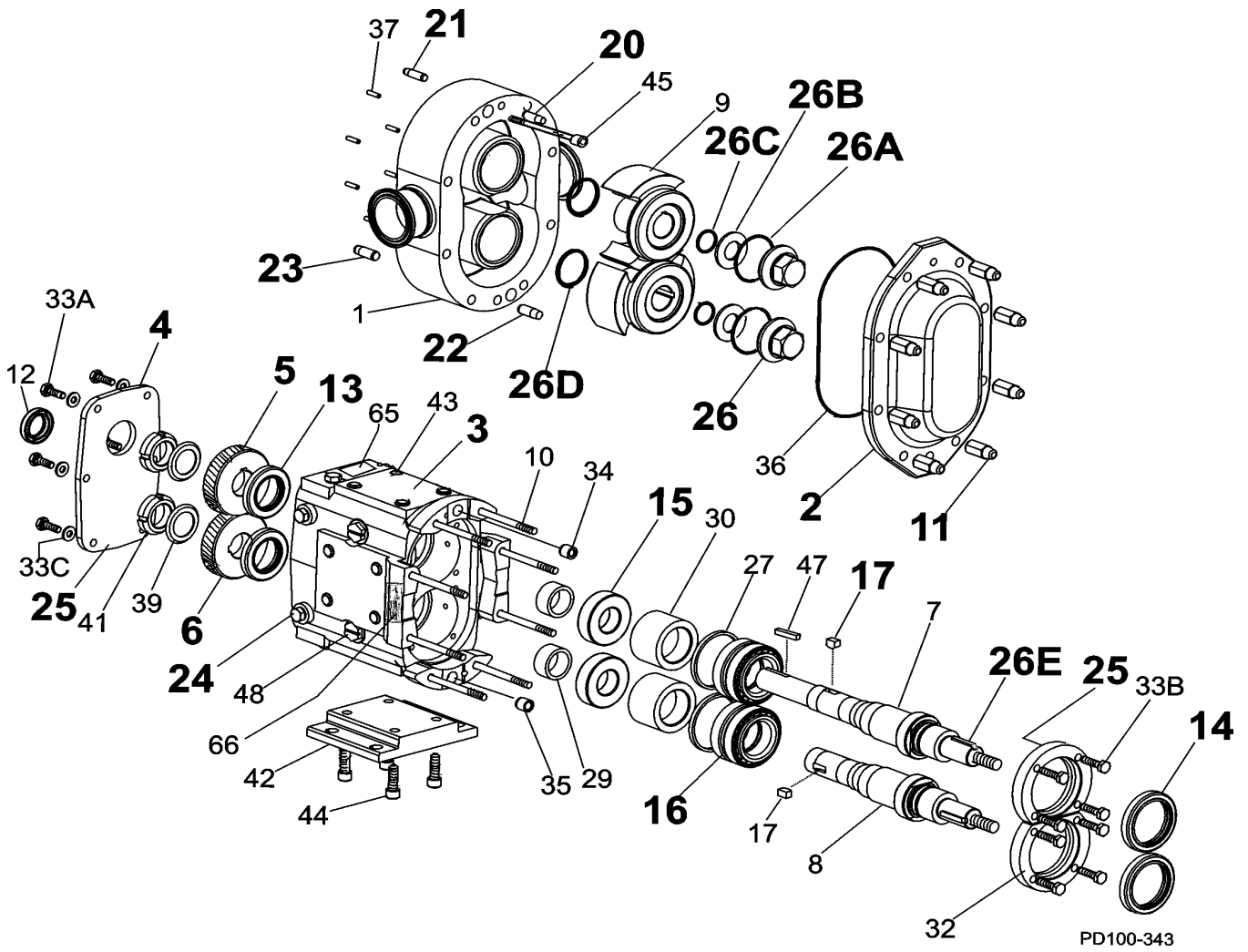
040-U2 COMMON PARTS PRICE LIST

ITEM NO.	DESCRIPTION	QTY. PER PUMP	PART NO.	NOTES
2	Pump Cover	1	101845	
	Jacketed Cover	1	107666	
	Pump Cover Vented - Complete Assembly			
	Manual (over 150 PSI)	1	CVR00109	
	Manual (under 150 PSI)	1	CVR00067	
	Pneumatic Rubber Diaphragm	1	CVR00075	
	Pneumatic Piston	1	CVR00076	
3	Gear Case, CI	1	102277	
	Gear Case, SS; Optional	1	101833	
4	Gear Case Cover, Steel	1	040 106 000	
	Gear Case Cover, SS; Optional	1	102281	
5	Gear, Drive Shaft, Spur	1	107999	
6	Gear, Short Shaft, Spur	1	107999	
11	Hex Nut	8	108370	
	Wing Nut; Optional	8	105851	
12	Oil Seal, Gear Case Cover	1	000 030 013	
13	Oil Seal, Gear Case Rear	2	000 030 014	
14	Grease Seal, Bearing Retainer	2	101717	
	Bearing Isolator Kit, includes SS Bearing Retainer	2	X06639-1	
15	Bearing, Rear	2	030 035 000	
16	Bearing, Front	2	101715	
17	Key, Gear	2	BD0 037 000	
20	Dowel Pin, Upper Cover Side	1	BD0 040 000	
21	Dowel Pin, Upper Gear Case Side	1	BD0 040 200	
22	Dowel Pin, Lower Cover Side	1	BD0 040 100	
23	Dowel Pin, Lower Gear Case Side	1	BD0 040 300	
24	Hex Capscrew; Fill, Drain, Level	6	000 046 003	
25	Silicone Sealant	1	000 142 301	
26	Nut, Rotor	2	101805	
* * * 26A	O-Ring, Rotor Nut, Buna N	2	N70130	
	O-Ring, Rotor Nut, EPDM	2	E70130	
	O-Ring, Rotor Nut, FKM	2	V70130	
26B	Washer, Belleville	2	101692	
* * * 26C	O-Ring, Retainer, Buna N	2	N70115	
	O-Ring, Retainer, EPDM	2	E70115	
	O-Ring, Retainer, FKM	2	V70115	
* * * 26D	O-Ring, Rotor Hub, Buna N	2	N70127	
	O-Ring, Rotor Hub, EPDM	2	E70127	
	O-Ring, Rotor Hub, FKM	2	V70127	
* 26E	Key, Rotor	2	101821	

NOTES:

* Recommended Spare Parts

040-U2 Common Parts Diagram



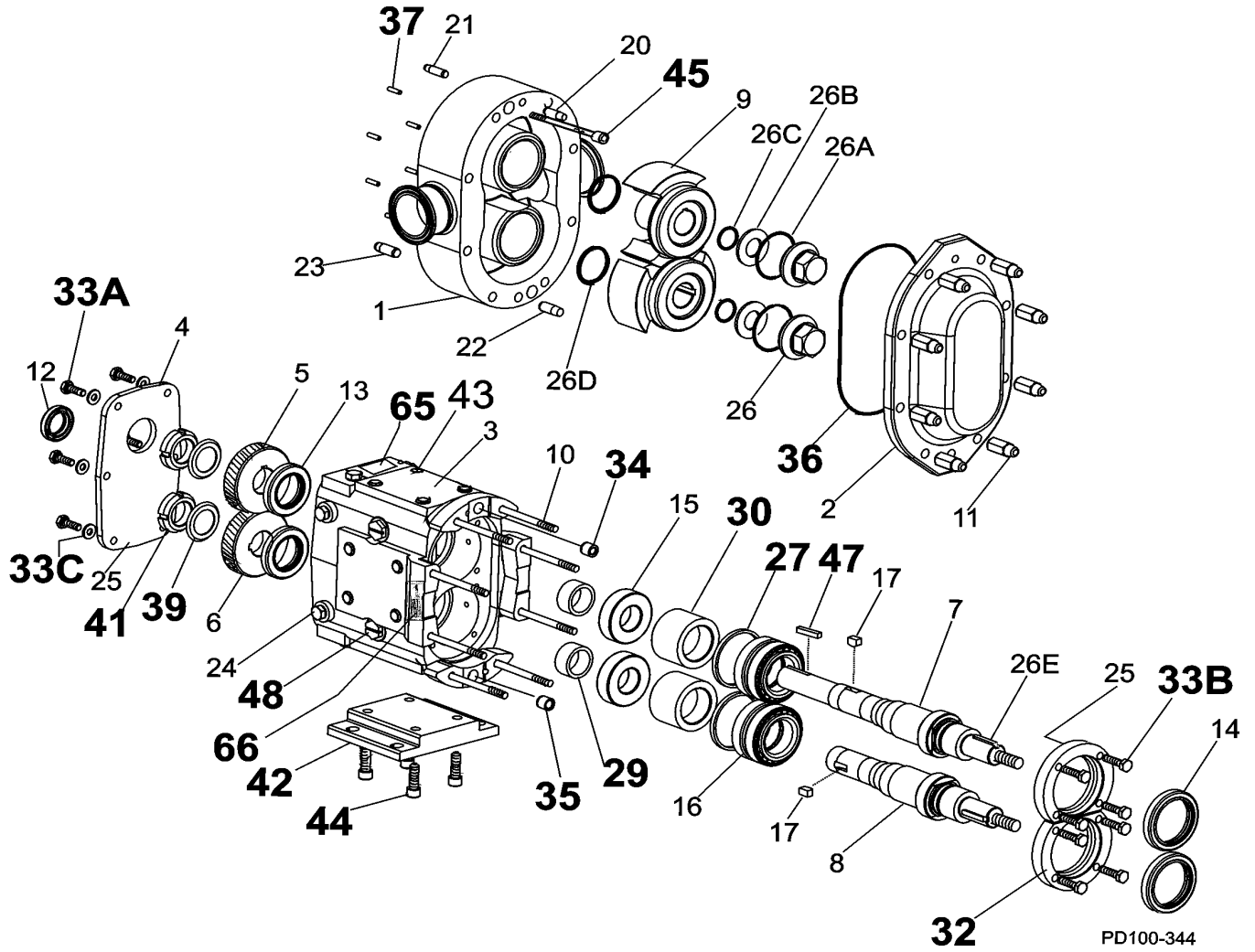
040-U2 COMMON PARTS PRICE LIST

ITEM NO.	DESCRIPTION	QTY. PER PUMP	PART NO.	NOTES
27	Shim Kit	2	117890	
29	Spacer, Gear to Rear Bearing	2	030 055 000	
30	Bearing Spacer	2	101815	
32	Bearing Retainer, Front	2	101811	
33A	5/16-18 x 3/4" HHCS, STD	6	30-283	
	5/16-18 x 3/4" HHCS, SS	6	30-151	
33B	5/16-18 x 3/4" BSHCS, STD	8	30-296	
	5/16-18 x 3/4" SHCS, SS	8	30-29	
33C	5/16" Flat Washer	6	43-194	
34	Dowel Bushing, Upper	1	BD0 116 000	
35	Dowel Bushing, Lower	1	BD0 116 100	
* 36	O-Ring, Pump Cover, Buna N	1	N70259	
* 36	O-Ring, Pump Cover, EPDM	1	E70259	
* 36	O-Ring, Pump Cover, FKM	1	V70259	
37	Stop Pin, Seal	6	101719	
39	Lockwasher, Gear	2	CD0 036 W00	
41	Locknut, Gear	2	CD0 036 N00	
42	Gear Case Shim, CI	1	040 110 000	
	Gear Case Shim, SS; Optional	1	102285	
	Pump Pedestal, 6.25", Optional	1	BD0 110 SM0	
43	Plastic Cap Plug, 3/8"	8	000 121 002	
44	3/8-16 x 1" SHCS, STD	4	30-344	
	3/8-16 x 1" SHCS, SS; Optional	4	30-189	
45	Body Retaining Screw, 1/4-20 x 2"	2	30-211	
47	Key, Coupling - 1/4 x 1/4 x 1-3/4"	1	000 037 002	
48	Cleanout Plug	2	41013	
61	Name Plate, Sanitary	1	001 061 002	
62	#2 x .125" RHDS	4	30-355	
65	Caution Plate	2	33-62	
66	Warning Label	2	33-63	
67	Grease Fitting, 1/8"	4	BD0 092 000	
68	Plastic Cap, Grease Fitting	4	BD0 093 000	

NOTES:

* Recommended Spare Parts

040-U2 Common Parts Diagram



040-U2 SEAL PARTS PRICE LIST

ITEM NO.	DESCRIPTION	QTY. PER PUMP	PART NO.	NOTES
MECHANICAL SEAL PARTS				
*				
*	91			
	O-Ring, Inner Seal, Buna N	2	N70031	25
	O-Ring, Body, EPDM	2	E70031	
	O-Ring, Body, FKM	2	V70031	
*	92			
	O-Ring, Shaft, Buna N	2	N70029	25
	O-Ring, Shaft, EPDM	2	E70029	25
	O-Ring, Shaft, FKM	2	V70029	
*	93			
	Seal Seat, Ceramic	2	101670	
	Seal Seat, Silicon Carbide	2	101671	
*	94			
	Seal Inner, Carbon	2	101655	
	Seal Inner, Ceramic	2	101656	
	Seal Inner, Silicon Carbide	2	101657	
	Seal Inner, Tungsten Carbide	2	101658	
*	95			
	Wave Spring, Inner Seal	2	101685	
*	96			
	O-Ring, Outer Seal, Buna N	2	N70041	8
	O-Ring, Outer Seal, EPDM	2	E70041	8
	O-Ring, Outer Seal, FKM	2	V70041	8
*	97			
	Wave Spring, Outer Seal	2	101686	8
*	98			
	Outer Seal, Carbon	2	101680	8

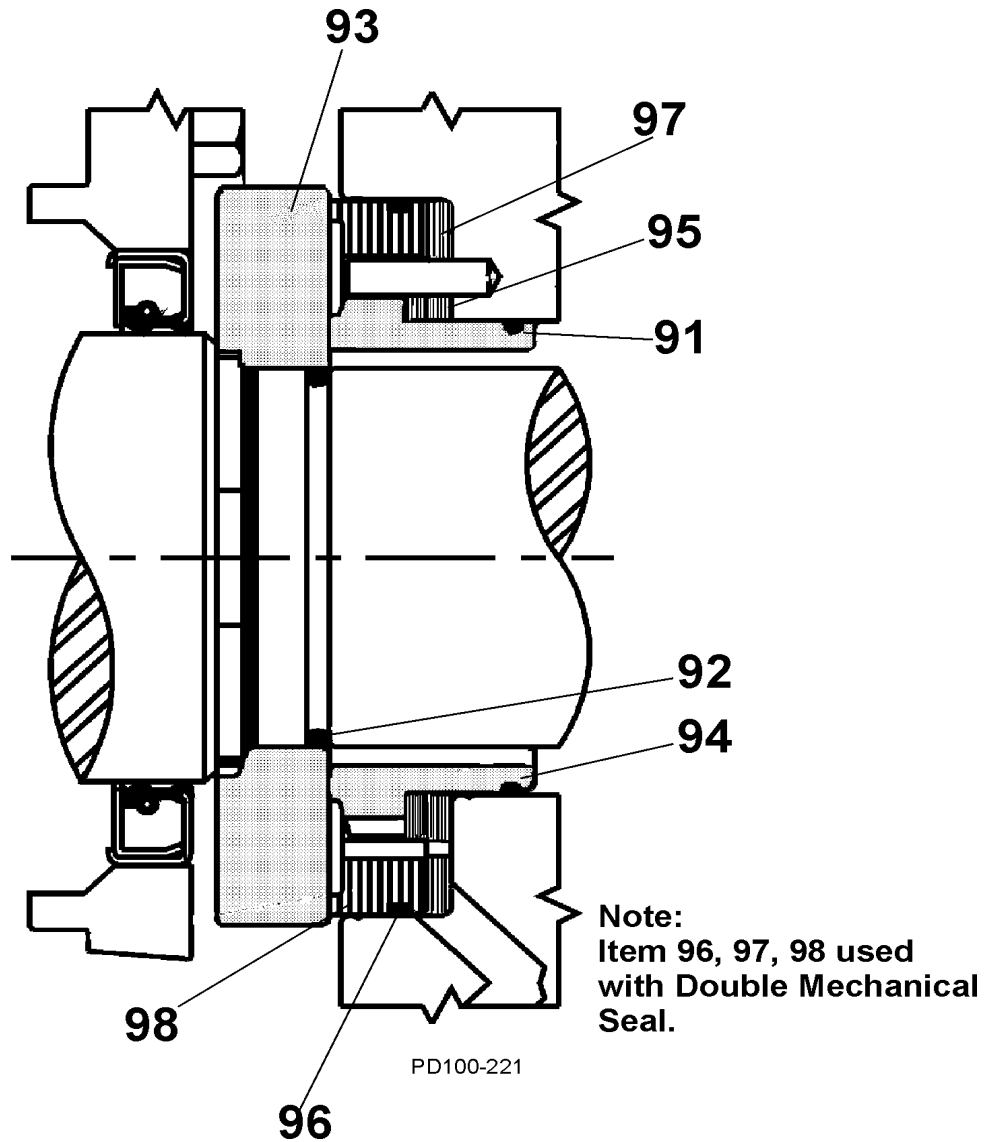
NOTES:

8. Used with double Mechanical Seal.

25. Sold in packages of 25 only.

* **Recommended Spare Parts**

040-U2 Seal Parts Diagram



040-U2 VENTED COVER PARTS PRICE LIST

ITEM NO.	DESCRIPTION	QTY. PER PUMP	PART NO.	NOTES
MANUAL VENTED COVER				
101	Vented Cover	1	103670	
102	Adjusting Screw	1	AD0 072 000	
103	Spring Plunger	1	AD0 073 000	
104	Locknut	1	AD0 074 000	
105	Spring, Medium (less than 150 PSI)	1	AD0 076 000	
	Spring, High (more than 150 PSI)	1	ABB 076 100	
106	Diaphragm Bushing	1	AD0 077 000	
107	Cover Nut	1	AD0 075 000	
* 108	Rubber Diaphragm, Buna N	1	AD0 078 000	
PNEUMATIC VENTED COVER				
101	Vented Cover	1	103670	
* 108	Diaphragm, Buna N	1	AD0 078 000	
110	Diaphragm Bushing	1	AD0 077 P00	
111	Cover Nut	1	AD0 075 P00	
PISTON VENTED COVER				
101	Vented Cover	1	103670	
112	Piston	1	AD0 073 P10	
* 113	O-Ring, Bushing Seal, Buna N	1	N70223	
114	Diaphragm Bushing	1	AD0 077 P10	
* 115	O-Ring, Nut Seal, Buna N	1	N70224	
116	Cover Nut	1	AD0 075 P10	
* 117	Piston Seal, Quad Ring	1	AD0 133 000	9
	Piston Seal, O-Ring	1	N70218	9

NOTES:

9. Quad Ring and O-Ring can be interchanged.

* **Recommended Spare Parts**

040-U2 Vented Cover Parts Diagram

